

AURORA BRAND

PIPE HANGERS BY **CCTF**

PIPE HANGERS & SUPPORTS



COMMITTED TO QUALITY SYSTEMS AND PRODUCTS

Q U A L I T Y

CCTF is engaged in the supply and distribution of pipe, pipe hangers, fittings, flanges and grooved products of various types and for a wide range of applications. Many CCTF products are installed by the power generation, petrochemical and process industries for which the governing codes and standards require considerable control, inspection and testing to verify the quality characteristics. To deal with these challenges, CCTF has implemented a quality program to the degree necessary to satisfy the contractors and owners, with emphasis put on areas such as review, purchasing, inspection and corrective / preventative action.

CCTF has established and maintains a documented Quality Management System in an effort to conform to product jurisdiction, customer requirements, and affect a continuous Quality Improvement Program. The Quality Management System reflects the philosophy and policy of CCTF in achievement of Total Quality and is designed to meet the requirements of ISO 9001-2000 Quality Standards. CCTF's experience in supplying significant projects demanding consistent quality products include Hibernia, Sable Offshore Energy Project, Terra Nova Alliance Project and the Irving Refinery Project.

I S O 9 0 0 1 - 2 0 0 0



Certificate of Registration

Issued to:
CCTF Corporation

#4-480 Audley Boulevard, Annacis
Business Park
Delta, British Columbia
V3M 5S4 Canada

which has demonstrated that its Quality Management System is in compliance with:

ISO 9001:2000

The following scope of registration applies:

Master distribution of pipe, pipe hangers, fittings and flanges.

CERT-0017660
SIC Number / NACE Code: 5085 / D128.7
Date of Original Registration: August 26, 1995
Date of Current Registration: January 20, 2006
Registration Expiry Date: January 19, 2009

003979

5085 / D128.7
August 26, 1995
January 20, 2006
January 19, 2009



Wendy J. Tifford
Wendy J. Tifford
President



Certificate of Registration

Issued to:
CCTF Corporation

5407 - 53 Avenue
Edmonton, Alberta
T6B 3G2 Canada

which has demonstrated that its Quality Management System is in compliance with:

ISO 9001:2000

The following scope of registration applies:

Master distribution of pipe, pipe hangers, fittings and flanges.

CERT-0016619
SIC Number / NACE Code: 5085 / G51.5
Date of Original Registration: October 1, 1988
Date of Current Registration: March 28, 2006
Registration Expiry Date: March 27, 2009

001539

5085 / G51.5
October 1, 1988
March 28, 2006
March 27, 2009



Wendy J. Tifford
Wendy J. Tifford
President



Certificate of Registration

Issued to:
CCTF Corporation

1387 Cornwall Road
Oakville, Ontario
L6J 7T5 Canada

which has demonstrated that its Quality Management System is in compliance with:

ISO 9001:2000

The following scope of registration applies:

Master distributor of pipe, pipe hangers, fittings, flanges and grooved products.

CERT-0015028
SIC Number / NACE Code: 5085 / G51.5
Date of Original Registration: October 1, 1988
Date of Current Registration: June 16, 2006
Registration Expiry Date: June 15, 2009

003699

5085 / G51.5
October 1, 1988
June 16, 2006
June 15, 2009



Wendy J. Tifford
Wendy J. Tifford
President

CONTENTS

HANGER COMPARISON LIST	5-6
PICTORIAL INDEX	7-11
ZINC PLATING PROCESS	12
STANDARD & COMMERCIAL PIPE HANGERS	13
A 100 Adjustable Swing Ring Hanger	14
A 250 – C Copper Plated Swivel Ring Hanger	15
A 275E Epoxy Coated Swivel Ring Hanger	16
A 210 Light Duty Clevis Hanger	17
A 280E Light Duty Epoxy Coated Clevis Hanger	18
A 310 C Light Duty Copper Clevis Hanger	19
A 235 Standard Clevis Hanger	20
A 235 SS Stainless Steel Standard Clevis Hanger	21
A 150 Standard Riser Clamp	22
A 322 Short Tongue Riser Clamp	23
A 325 C Copper Plated Riser Clamp	24
A 410 C-Clamp	25
A 50 Zinc Plated 2- Hole Pipe Strap	26
A 58 Heavy Duty Black Short Strap	27
A 48 Solid Copper Pipe Strap c/w nails	28
A 131 Split Ring Hanger - Hinged	29
A 131C Copper Plated Split Ring Hanger - Hinged	30
A 132 One Hole Clamp	31
A 500 Offset Pipe Clamp	32
FIRE PROTECTION AND WATERWORKS HANGERS	33
A 100 Adjustable Swing Ring Hanger	34
A 150 Standard Riser Clamp	35
A 322 Short Tongue Riser Clamp	36
A 235 Standard Clevis Hanger	37
A 450 Steel Rod Couplings	38
A 22Z Zinc Plated Ceiling Flange	39
A 350 Side Beam Bracket	40
A 05 Wood Drive Screws	41
A 01-02 Swivel Nuts	42
A 425 Coach Screw Rod	43
A 926 All Threaded Rod Zinc Plated	44
B 20 Top Beam Clamp - Standard	45
B 24 Top Beam Clamp - Wide Mouth	46
A 122 Underground Bell Clamp for Ductile Iron Pipe	47
A 126 HookTie Bolt for Waterworks Fittings & Flanges	48
A 920 Clevis Hanger for Ductile Iron Pipe	49
INDUSTRIAL HANGERS AND CLAMPS	50
A 320 Pipe Roller	51
A 466 Standard Roller Hanger	52
A 469 Standard Roller Chair	53
A 494 Single Pipe Roll	54
A 497 Adjustable Pipe Roller Support	55

CONTENTS

A 125 Standard 2-Bolt Pipe Clamp	56
A 430 Heavy Duty 2-Bolt Pipe Clamp	57
A 125SS Standard 2-Bolt Pipe Clamp Stainless Steel	58
A 235SS Stainless Steel Standard Clevis Hanger	59
A 56 3-Bolt Light Duty Pipe Clamp	60
A 62 Std. 3-Bolt Pipe Clamp	61
A 900 Pipe Shoe	62
A 475 Standard U-Bolts Black	63
A 475 L Light U-Bolts Black	64
A 175 Standard U-Bolts Zinc Plated	65
A 175 L Light U-Bolts Zinc Plated	66
A 175SS U-Bolts Stainless Steel	67
A 333 Turnbuckle	68
A 339 Forged Steel Clevis	69
A 344 Weldless Eye Nut	70
A 80/84 Pipe Protection Saddle 1"and 1 1/2"	71
A 88/90 Pipe Protection Saddle 2" and 2 1/2"	72
A 92/95 Pipe Protection Saddle 3"and 4"	73
A 203 Insulation Protection Shield	74
HANGERS ATTACHMENTS AND STRUT PRODUCTS	75
A 240 Standard Pipe Stay	76
A 245 Extended Pipe Stay	77
A 330 Heavy Duty Beam Attachment	78
A 330 B Heavy Duty Beam Attachment	79
A 350 Side Beam Bracket	80
A 22 Z Zinc Plated Ceiling Flange	81
A U927 Strut Channel (1 5/8 x 1 5/8)	82
A U928 Strut Channel (1 5/8 x 7/8)	83
A U929 Spring Nut with Spring	84
A U930 Spring Nut less Spring	85
A U931 Strut Clamp for Pipe	86
A U932 Strut Clamps for O.D. Tubing	87
A U933 90° Angle Bracket	88
THREADED PRODUCTS	89
A 925 All Threaded Rod Black	90
A 926 All Threaded Rod Zinc Plated	91
A 926SS All Threaded Rod Stainless Steel	92
A 425 Coach Screw Rod	93
A 450 Steel Rod Couplings	94
A W921 Machine Thread Rods Left and Right Threads	95
A W922 Welded Eye Rod Right Hand Thread	96
A W923 Hanger Rod Right Hand Thread	97
A 01/02 Swivel Nuts	98
A 03 Hex Nuts	99
A 04 Washer	100
A 05 Wood Drive Screws	101

CROSS REFERENCE

DESCRIPTION	CCTF	ANVIL	TAYLOR	MYATT
ADJ. SWIVEL RING HANGER	A 100	69	41	41
ADJ. SWIVEL RING HANGER COPPER	A 250 C	CT 69	42	42
ADJ. SWIVEL RING HANGER EPOXY	A 275 E	69 C	43	43
LIGHT DUTY CLEVIS HANGER	A 210	65	22 Z	122
LIGHT DUTY CLEVIS HANGER EPOXY	A 280 E		52	56
LIGHT DUTY CLEVIS COPPER	A 310C			
STANDARD CLEVIS HANGER	A 235	260	24 Z	124
STANDARD CLEVIS HANGER SS MATERIAL	A 235SS			
STANDARD RISER CLAMP	A 150	261	82 Z	182
SHORT TONGUE RISER CLAMP	A 322	83		
COPPER RISER CLAMP	A 325	C.T. 121	85	150 CT
MALLEABLE IRON C CLAMP	A 410	86	301	586
2 HOLE PIPE STRAP	A 50	231	45	163
MALLEABLE IRON SLIT RING HANGER	A 129	138 R	38 R	129
HEAVY DUTY SHORT STRAP	A 58	262	46	162
OFFSET PIPE CLAMP	A 500	103		
ONE HOLE PIPE CLAMP	A 132	126	44	160
SOLID COPPER PIPE STRAP	A 48			
STANDARD TOP BEAM CLAMP	A 375	92	406	406
WIDE MOUTH TOP BEAM CLAMP	A 400	93/94	407	407
UNDERGROUND BELL CLAMP	A 122	600	35	175
HOOK TIE BOLT FOR WATERWORKS	A 126	425	37	425
CLEVIS HANGER FOR D.I. PIPE	A 920		27 AC	127 AC
PIPE ROLLER ONLY	A.320	173	92	255
ADJUSTABLE SOCKET ENDS	A 46	171 A		
STANDARD ROLLER HANGER	A 466	181	93	255
STANDARD ROLLER CHAIR	A 469	175	94	264
SINGLE PIPE ROLL COMPLETE	A 494	171	95	261
ADJUSTABLE PIPE ROLL SUPPORT	A 497	177	95 S	262
STANDARD 2 BOLT PIPE CLAMP	A 125	212	31	133
STAINLESS STEEL 2 BOLT PIPE CLAMP	A 125 SS			
HEAVY 2 BOLT PIPE CLAMP	A 430	216		
LIGHT DUTY 3 BOLT PIPE CLAMP	A 56			
STANDARD 3 BOLT PIPECLAMP	A 62	295	33 M	136
ZINC PLATED STANDARD U BOLT	A 175	137	14 Z	414
BLACK STANDARD U BOLT	A 475	137	14	414

CROSS REFERENCE

DESCRIPTION	CCTF	ANVIL	TAYLOR	MYATT
LIGHT DUTY U BOLTS	A 175L			
LIGHT DUTY U BOLTS	A 475 L	120		
STANDARD STAINLESS STEEL U BOLT	A 175 SS			
FORGED STEEL TURNBUCKEL	A 333	230	68	475
FORGED STEEL CLEVIS	A 339	299	63	470
WELDLESS EYE NUT	A 344	290	64	480
PIPE COVERING PROTECTION SADDLES	A 80-95	160-167	69-75	210-251
INSULATION PROTECTION SHIELD	A 203			
STANDARD PIPE STAYS	A 240	32	32 S	326
EXTENDED PIPE STAYS	A 245	32	32 E	326
SIDE BEAM BRACKET	A 350	206	120	542
WELDED BEAM BRACKET	A 330	66	67	531
CEILING FLANGE	A 22Z	128 R	28 R	534
1 5/8" X 1 5/8" STRUT	A U 927			
1 5/8" X 7/8" STRUT	A U 928			
STRUT NUTS W/ SPRING	A U 929		900 RG	
STRUT NUTS L SPRING	A U 930		900 NS	
STRUT CLAMPS FOR PIPE	A U 931			
STRUT CLAMPS FOR O.D. TUBING	A U 932			
90* ANGLE BRACKET	A U 933		201	
2 HOLE FLAT PLATE	A U 934			
Q DECK HANGER	A U 935			
THREADED ROD BLACK	A 925			
THREADED ROD ZINC PLATED	A 926			
THREADED ROD STAINLESS STEEL	A 926SS			
COACH SCREW RODS	A 425	142	61	461
ROD COUPLING	A 450	135 E	62	463
MACHINE THREAD RODS	A W 921			
WELDED EYE ROD	A W 922			
HANGER ROD	A W 923			
SWIVEL NUT	A 01/02		41 A	
HEX NUT	A 03			
WASHERS	A 04			
DRIVE SCREWS	A 05		59	461

PICTORIAL INDEX

SECTION "A" STANDARD PIPE HANGERS



A 100
Adjustable Ring
Hanger
page 14



A 250C
Adjustable Ring
Hanger
Copper Plated
page 15



A 275E
Adjustable Ring
Hanger
Epoxy Coated
page 16



A 210
Light Duty Clevis
Hanger
page 17



A 280E
Light Duty Clevis
Epoxy Coated
page 18



A 310C
Light Duty Clevis
Copper Coated
page 19



A 235
Standard Clevis
page 20



A 235SS
Standard Clevis
Stainless Steel
page 21



A 150
Standard
Riser Clamp
page 22



A 322
Short Tongue Riser
Clamp
page 23



A 325C
Standard Riser Clamp
Copper Plated
page 24



A 410
C-Clamp
page 25



A 50
Two Hole
Pipe Strap
page 26



A 58
Heavy Duty Short
Strap
page 27



A 500
Offset Pipe Clamp
page 32



A 132
One Hole Pipe
Clamp
page 31



A 48
Solid Copper Pipe
Strap
page 28



A 131
Split Ring Hanger
Zinc Plated
page 29



A 131-C
Split Ring Hanger
Copper Plated
page 30

PICTORIAL INDEX

SECTION "B" FIRE PROTECTION AND WATERWORKS



A 100
Adj. Ring Hanger
page 34



A 322
Short Tongue Riser
Clamp
page 36



A 235
Standard Clevis
page 37



A 150
Standard
Riser Clamp
page 35



A 222
Ceiling Flange
Zinc Plated
page 39



A 350
Side Beam Bracket
Page 40



A 425
Coach Screw Rods
page 43



A 05
Wood Drive Screws
page 41



A 01/02
Swivel Nut
page 42



A 926
All Threaded Rod Zinc
Plated (10' lengths)
page 44



A 450
Steel Rod Couplings
page 38



**B 20 Top Beam
Clamp - Standard**
page 45



**B 24 Top Beam
Clamp - Wide Mouth**
page 46



A 122
Underground Bell
Clamp for
Ductile Iron Pipe
page 47



A 126
Tie Bolt
page 48



A 920
Clevis Hanger for D.I.
Pipe
page 49

PICTORIAL INDEX

SECTION "C" INDUSTRIAL PRODUCTS



A 320
Pipe Roller
page 51



A 900
Pipeshoe
page 62



A 466
Standard Roller
Hanger
page 52



A 469
Standard Roller Chair
page 53



A 494
Single Pipe Roll
Complete
page 54



A 497
Adj. Pipe Roll Support
page 55



A 125
Standard
2-Bolt Pipe Clamp
page 56



A 430
Heavy Duty
2-Bolt Pipe Clamp
page 57



A 125SS Standard
2-Bolt Pipe Clamp
Stainless Steel
page 58



A 235SS
Standard Clevis
Stainless Steel
page 59



A 56
Light Duty
3-Bolt Pipe Clamp
page 60



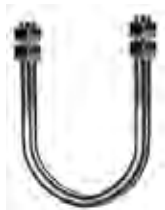
A 62
Standard
3-Bolt Pipe Clamp
page 61



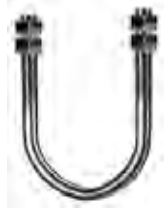
A 475
Standard
U-Bolts Black
page 63



A 475L
Light Duty
U-Bolts Black
page 64



A 175
Standard
U-Bolts Zinc Plated
page 65



A 175L
Light U-Bolts
Zinc Plated
page 66



A 175SS Standard
U-Bolts Stainless
Steel
page 67



A 333
Turnbuckle
page 68



A 339
Forged Steel
Clevis
page 69

PICTORIAL INDEX

SECTION "C" INDUSTRIAL PRODUCTS (cont'd)



A 344
Weldless Eye Nut
page 70



A 80-95
Pipe Protection
Saddles
page 71-73



A 203
Insulation Protection
Shield
page 74

SECTION "D" HANGER ATTACHMENTS & STRUT PRODUCTS



A 240
Standard Pipe Stay
page 76



A 245
Extended Pipe Stay
page 77



A 350
Side Beam Bracket
page 80



A 330
Heavy Duty
Beam Attachment
page 78



A 330B
Heavy Duty
Beam Attachment
page 79



A 22Z
Ceiling Flange
Zinc Plated
page 81



AU927
Strut Channel
(1 5/8 x 1 5/8)
page 82



AU928
Strut Channel
(1 5/8 x 7/8)
page 83



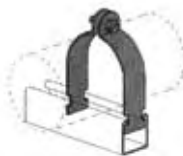
AU929
Spring Nut with
Spring
page 84



AU930
Spring Nut less
Spring
page 85



AU931
Strut Clamps for Pipe
page 86



AU932
Strut Clamps for
O.D. Tubing
page 87



AU933
90° Angle Bracket
page 88

PICTORIAL INDEX

SECTION "E" THREADED PRODUCTS



A925
All Threaded Rod
Black (10' lengths)
page 90



A 926
All Threaded Rod Zinc
Plated (10' lengths)
page 91



A 926SS
All Threaded Stainless Steel
(10' lengths)
page 92



A 425
Coach Screw Rods
page 93



A 450
Steel Rod Couplings
page 94



AW921
Machine Thread Rods
page 95



AW922
Welded Eye Rod
Right Hand Thread
page 96



AW923
Hanger Rod
Right Hand Thread
page 97



A 01/02
Swivel Nut
page 98



A 03
Hex Nuts
page 99

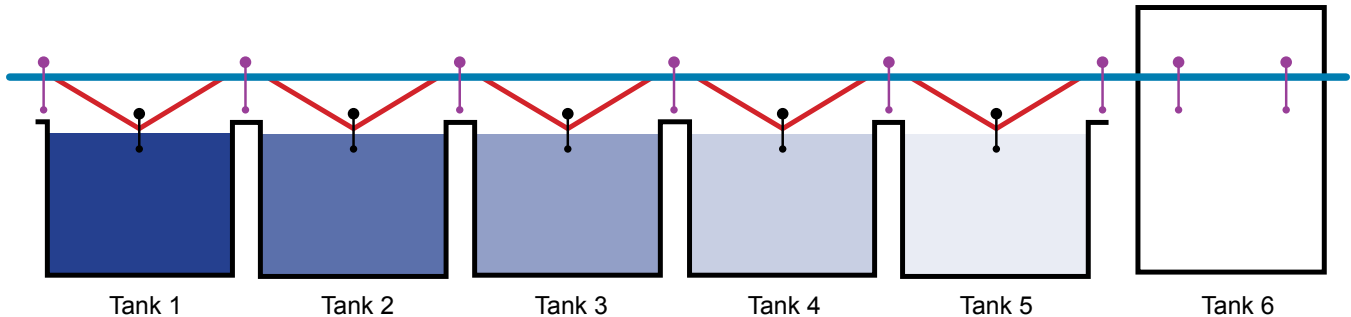


A 04
Washers
page 100



A 05
Wood Drive Screws
page 101

ZINC PLATING PROCESS



THE PROCESS

TANK 1	Rust removal by industrial chlorhydric acid and oil removal with lye.
TANK 2	Rinsing with water after oil and rust removal.
TANK 3	Product is placed in the tank for zinc coating.
TANK 4	Second rinse in water.
TANK 5	Passivation by chrome acid to produce sealing coat.
TANK 6	Finished product is then air dried.

WELDING FEATURES

As in any welding situation, proper ventilation must be in place so that when welding , any fumes containing impurities are not inhaled.

Before welding any C.C.T.F. zinc plated pipe hangers, please check your local Workers Compensation Board welding procedures manual for ventilation requirements .



STANDARD & COMMERCIAL PIPE HANGERS

Pipe hangers offered in this section are designed to support insulated or non- insulated pipe allowing for vertical adjustment and limited movement in the piping system.

Material: Carbon steel, malleable iron, and 316 stainless steel are used in the manufacturing of these pipe hangers. Other materials are also available.

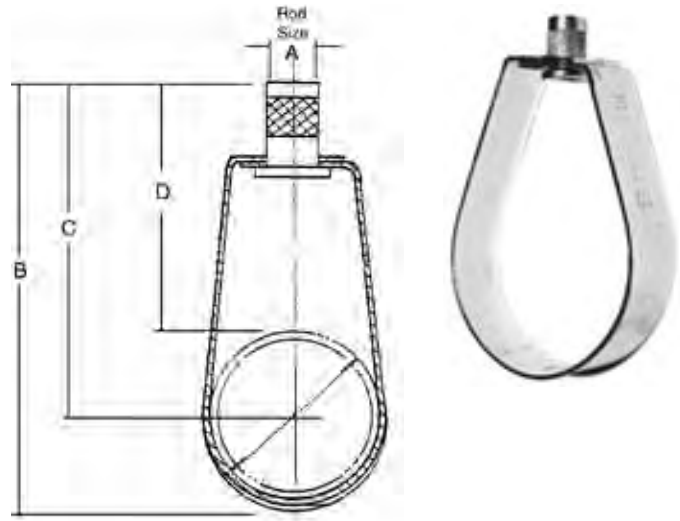
Finishes: Our standard hangers are supplied with an Electro-Galv. Zinc Coating. Some hangers may be supplied with a standard oil coated finish that is regularly referred to in the industry as BLACK. Other coatings available are hot dipped galvanized, standard Zinc Oxide primer or painted to your specifications. When hot dipped galvanized is ordered standard ZINC plated threaded parts will be supplied unless you request differently.

Approvals: Some items in this section are Underwriters Laboratory Listed and Factory Mutual Approved. All other items comply with Manufacturers Standardization Society MSS SP-69.

STANDARD & COMMERCIAL PIPE HANGERS

A 100 Adjustable Swivel Ring Hanger

Material:	Pre Galvanized Carbon Steel
Application:	Used for all general purpose and fire protection lines. The knurled nut allows for hanger alignment and adjustment after installation.
Approvals:	Underwriters Laboratory Listed, Factory Mutual Approved. Complies with Manufactures Standardization Society.
Ordering:	Specify figure number and pipe size.



A 100 ADJUSTABLE SWIVEL RING HANGERS

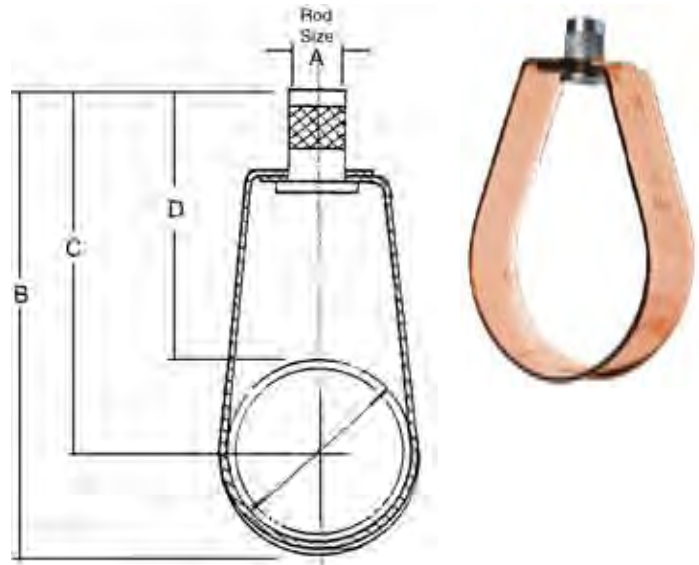
SIZE	"A"		"B"		"C"		"D"		Max Rec Load	Box Qty	
	mm		mm		mm		mm				
1/2	13	3/8	10	2-11/16	69	2-3/16	55	7/8	23	300	100
3/4	19	3/8	10	2-15/16	74	2-13/32	60	1-3/16	28	300	100
1	25	3/8	10	3-1/8	79	2-1/2	65	1-3/8	35	300	100
1-1/4	32	3/8	10	3-1/2	89	3	75	1-3/4	44	300	100
1-1/2	38	3/8	10	3-3/4	94	3-1/8	80	2	50	300	100
2	50	3/8	10	4-3/32	104	3-1/2	90	2-7/16	62	300	100
2-1/2	64	3/8	10	5-5/6	134	4-3/4	120	3	75	525	50
3	76	3/8	10	5-11/16	144	5-1/8	130	3-1/2	91	525	50
4	102	3/8	10	6-7/8	174	6-5/16	160	4-5/8	116	650	25
5	127	1/2	13	9-1/8	231	8-15/32	215	5-11/16	143	1,000	15
6	152	1/2	13	10-1/4	261	9-15/32	240	6-5/8	170	1,000	10
8	203	1/2	13	12-1/2	316	11-3/4	300	8-11/16	221	1,000	10



STANDARD & COMMERCIAL PIPE HANGERS

A 250 C Copper Plated Swivel Ring Hanger

Material:	Copper electroplated Carbon Steel.
Application:	Designed for supporting non – insulated copper pipe lines.
Ordering:	Specify figure number and pipe size.



A 250C COPPER PLATED SWIVEL RING HANGER

SIZE	"A"		"B"		"C"		"D"		Max Rec Load	Box Qty	
	mm		mm		mm		mm				
1/2	13	3/8	10	3-1/8	79	2-11/16	68	1-5/8	41	400	100
3/4	19	3/8	10	3-1/4	83	2-3/4	70	1-3/8	35	400	100
1	25	3/8	10	3-3/8	87	3	76	1-9/32	33	400	50
1-1/4	32	3/8	10	3-3/4	95	3-1/8	79	1-15/32	37	400	50
1-1/2	38	3/8	10	4	102	3-1/8	79	1-15/32	37	400	50
2	50	3/8	10	4-1/4	108	3-1/2	89	1-3/16	30	400	40
2-1/2	64	1/2	13	6-11/16	119	4-1/4	108	1-3/16	30	600	25
3	76	1/2	13	5-1/2	140	4-3/8	111	1-1/2	38	600	25
4	102	1/2	13	6-7/16	164	4-13/16	122	1-15/16	37	1,000	25



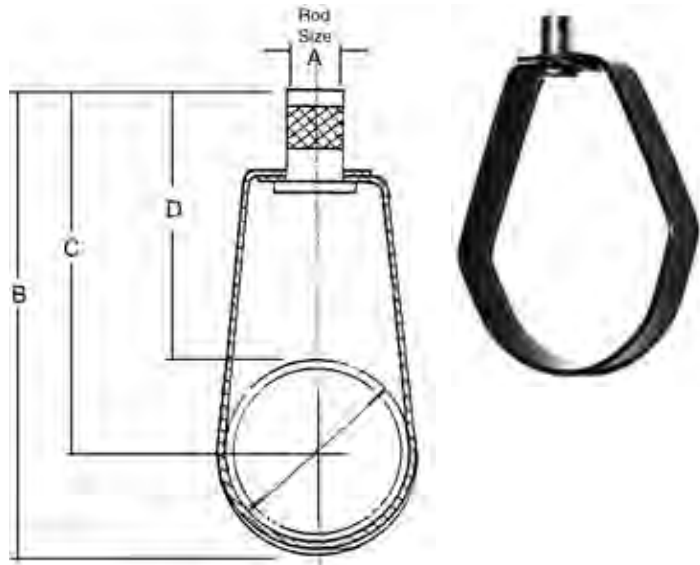
STANDARD & COMMERCIAL PIPE HANGERS

A 275E Epoxy Coated Swivel Ring Hanger

Material : Epoxy Coated Carbon Steel

Application: Designed for supporting non – insulated copper and steel pipe lines. Epoxy coated finish hanger can be used in place of figure # A 250 C copper coated hanger.

Ordering : Specify figure number and pipe size.



A 275E EPOXY COATED SWIVEL RING HANGER

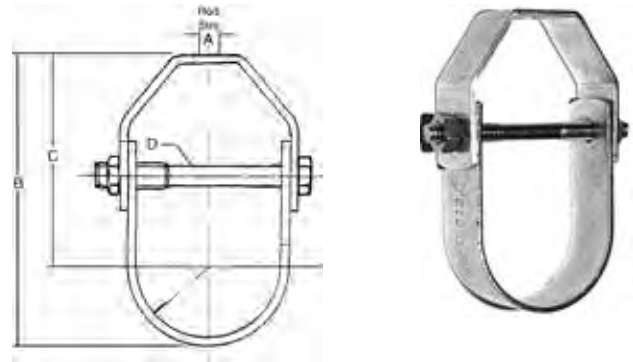
SIZE	"A"		"B"		"C"		"D"		Max Rec Load	Box Qty	
	mm		mm		mm		mm				
1/2	13	3/8	10	3-1/8	79	2-11/16	68	1-5/8	41	400	75
3/4	19	3/8	10	3-1/4	83	23/4	70	1-3/8	35	400	75
1	25	3/8	10	3-3/8	87	3	76	1-9/32	33	400	50
1-1/4	32	3/8	10	3-3/4	95	3-1/8	79	1-15/32	37	400	50
1-1/2	38	3/8	10	4	102	3-1/8	79	1-15/32	37	400	50
2	50	3/8	10	4-1/4	108	3-1/2	89	1-3/16	30	400	50
2(IP)	3/8	10	4-1/4	122	3-1/2	91	1-3/16	30	400	50	
2-1/2	64	3/8	10	6-11/16	119	4-1/4	108	1-3/16	30	600	50
2-1/2(IP)	1/2	13	6-11/16	154	4-5/8	115	1-3/16	30	600	50	
3	76	1/2	13	5-1/2	140	4-3/8	111	1-1/2	38	600	50
3(IP)	89	1/2	13	5-1/2	162	4-5/8	116	1-1/2	38	600	50
4	102	1/2	13	6-7/16	164	4-13/16	122	1-15/32	37	1,000	40
4(IP)	127	1/2	13	6-7/16	186	5	127	1-15/32	37	1,000	40



STANDARD & COMMERCIAL PIPE HANGERS

A 210 Light Duty Clevis Hanger

Material :	Carbon Steel
Application :	Designed for suspending stationary pipe lines. Design of hanger allows for vertical adjustment.
Ordering :	Specify pipe size and figure number. This hanger is only available in sizes 1/2" thru 6" and is designed for light loads only. For heavier loads refer to figure # A 235 clevis hanger.



A 210 LIGHT DUTY CLEVIS

SIZE		"A"		"B"		"C"		"D"		Lower Material		Upper Material		Max Rec Load
	mm		mm		mm		mm		mm		mm		mm	
1/2	13	3/8	10	2-13/16	71	2-5/16	59	1/4	6	3/32x7/8	2.1x22	3/32x7/8	2.1x22	250
3/4	19	3/8	10	3	76	2-13/32	61	1/4	6	3/32x7/8	2.1x22	3/32x7/8	2.1x22	250
1	25	3/8	10	3-5/16	84	2-19/32	66	1/4	6	3/32x7/8	2.1x22	3/32x7/8	2.1x22	250
1-1/4	32	3/8	10	3-11/16	93	2-11/16	68	1/4	6	3/32x7/8	2.1x22	3/32x7/8	2.1x22	250
1-1/2	38	3/8	10	4	101	2-13/16	71	1/4	6	3/32x7/8	2.1x22	3/32x7/8	2.1x22	250
2	50	1/2	13	4-7/16	112	3-9/16	80	1/4	6	3/32x7/8	2.1x22	3/32x7/8	2.1x22	250
2-1/2	64	1/2	13	5-3/8	136	4	100	3/8	13	1/8x1-3/16	3x30	1/8x1-3/16	3x30	350
3	76	1/2	13	6	152	4-3/16	107	3/8	13	1/8x1-3/16	3x30	1/8x1-3/16	3x30	350
3-1/2	89	1/2	13	6-5/8	168	4-5/8	117	3/8	13	1/8x1-3/16	3x30	1/8x1-3/16	3x30	350
4	102	1/2	13	7-1/2	190	5-3/16	132	3/8	13	1/8x1-3/16	3x30	3/16x1-3/16	4.5x40	400
5	127	5/8	16	8-7/8	225	6-1/16	154	1/2	13	3/16x1-3/16	4.5x30	1/4x1-1/4	6x30	
6	152	3/4	19	10	254	6-5/8	169	1/2	13	3/16x1-1/2	4.5x30	1/4x1-1/2	6x38	



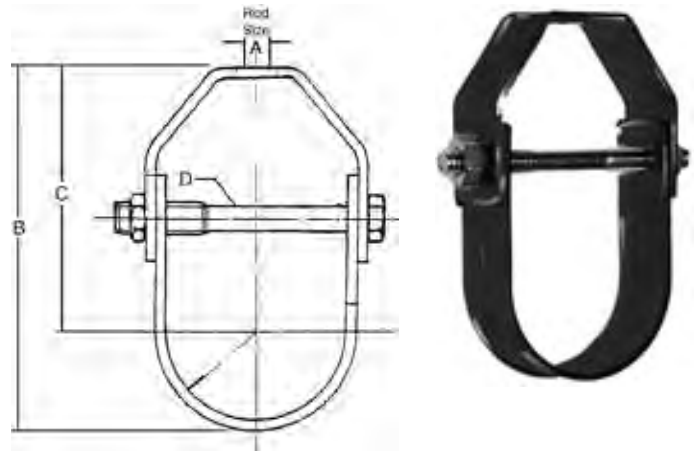
STANDARD & COMMERCIAL PIPE HANGERS

A 280E Light Duty Epoxy Coated Clevis Hanger

Material : Epoxy Coated Carbon Steel

Application : Designed for suspending light stationary pipe allowing for vertical adjustment. Epoxy coating is for preventing contact between tubing and the hanger. Can also be used for steel pipe

Ordering : Specify figure number and pipe size.
Only available in sizes 1/2" thru 4"



A 280E LIGHT DUTY CLEVIS EPOXY

SIZE		A		B		C		D		Upper Material		Lower Material	
			mm		mm		mm		mm		mm		mm
1/2CP	3/8IP	3/8	10	2-13/16	71	1-3/16	30	1/4	6	3/32x7/8	2x22	3/32x7/8	2x22
3/4CP	1/2IP	3/8	10	3	76	1-7/8	48	1/4	6	3/32x7/8	2x22	3/32x7/8	2x22
1CP	3/4IP	3/8	10	3-5/16	84	2-1/4	52	1/4	6	3/32x7/8	2x22	3/32x7/8	2x22
1-1/4CP	1IP	3/8	10	3-11/16	93	2-1/4	57	1/4	6	3/32x7/8	2x22	3/32x7/8	2x22
1-1/2CP	1-1/4IP	3/8	10	4	101	2-3/8	60	1/4	6	3/32x7/8	2x22	3/32x7/8	2x22
2CP	1-1/2IP	1/2	13	4-7/16	112	2-3/4	70	1/4	6	3/32x7/8	2x22	3/32x7/8	2x22
2IP	-	1/2	13	4-7/16	112	2-3/4	70	1/4	6	3/32x7/8	2x22	3/32x7/8	2x22
2-1/2CP	-	1/2	13	5-3/8	136	3-1/4	82	3/8	10	1/8x1-3/16	3x30	1/8x1-3/16	3x30
2-1/2IP	-	1/2	13	5-3/8	136	3-1/4	82	3/8	10	1/8x1-3/16	3x30	1/8x1-3/16	3x30
3CP	-	1/2	13	6	152	3-1/2	89	3/8	10	1/8x1-3/16	3x30	1/8x1-3/16	3x30
3IP	-	1/2	13	6	152	3-1/2	89	3/8	10	1/8x1-3/16	3x30	1/8x1-3/16	3x30
4CP	-	5/8	13	7-1/2	190	4-1/4	108	3/8	10	3/16x1-3/16	4.5x30	1/8x1-3/16	3x30
4IP	-	5/8	13	7-1/2	190	4-1/4	108	3/8	10	3/16x1-3/16	4.5x30	1/8x1-3/16	3x30



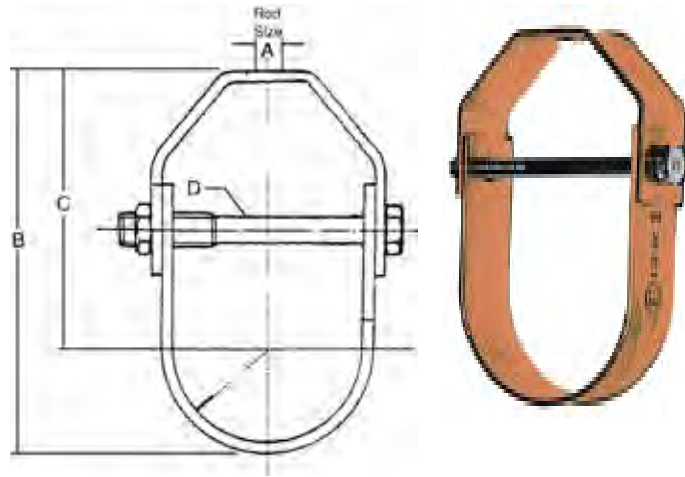
STANDARD & COMMERCIAL PIPE HANGERS

A 310 C Light Duty Copper Clevis Hanger

Material : Copper Electroplated Carbon Steel.

Application : Designed for suspending copper tubing lines. Design of hanger allows for vertical adjustment.

Ordering : Specify figure number and pipe size.



A 310C LIGHT DUTY CLEVIS COPPER PLATED

SIZE	"A"		"B"		"C"		"D"		Upper Material		Lower Material		Box Qty	
	mm	mm	mm	mm	mm	mm	mm	mm	mm	mm	mm			
1/2	13	3/8	10	2-13/16	61	2-5/16	52	1/4	6	3/32x7/8	2x22	3/32x7/8	2x22	100
3/4	19	3/8	10	3	71	2-13/32	59	1/4	6	3/32x7/8	2x22	3/32x7/8	2x22	100
1	25	3/8	10	3-5/16	76	2-19/32	60	1/4	6	3/32x7/8	2x22	3/32x7/8	2x22	100
1-1/4	32	3/8	10	3-11/16	84	2-11/16	65	1/4	6	3/32x7/8	2x22	3/32x7/8	2x22	100
1-1/2	38	3/8	10	4	93	2-13/16	71	1/4	6	3/32x7/8	2x22	3/32x7/8	2x22	100
2	50	1/2	13	4-7/16	107	3-9/16	78	1/4	6	3/32x7/8	2x22	3/32x7/8	2x22	100
2-1/2	64	1/2	13	5-3/8	134	4	98	3/8	13	1/8x1-3/16	3x30	1/8x1-3/16	3x30	50
3	76	1/2	13	6	143	4-3/16	101	3/8	13	1/8x1-3/16	3x30	1/8x1-3/16	3x30	50
3-1/2	89	1/2	13	6-5/8	162	4-5/8	112	3/8	13	1/8x1-3/16	3x30	1/8x1-3/16	3x30	50
4	102	5/8	16	7-1/2	173	5-3/16	118	3/8	13	1/8x1-3/16	3x30	3/16x1-3/16	4.5x30	25



STANDARD & COMMERCIAL PIPE HANGERS

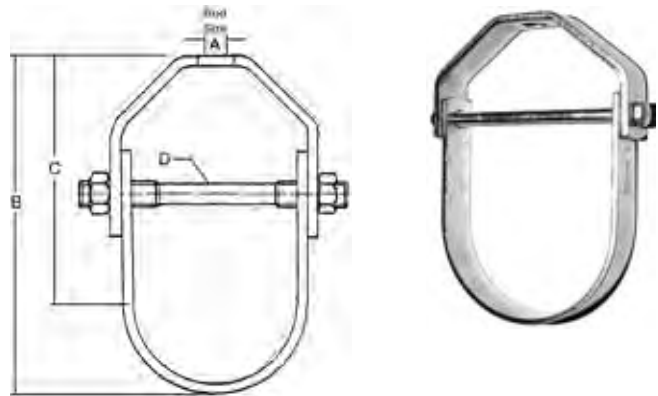
A 235 Standard Clevis Hanger

Material : And bare metal zinc plated carbon steel. Also available in Stainless Steel and Bare Metal.

Application : Designed for suspending non – insulated stationary pipe, allowing for vertical adjustment.

Ordering : Specify pipe size and figure number.

Approvals : Complies with Manufacturers Standardization Society SP – 69 Type 1



Listed and approved in 1" thru 8" only

A 235 STANDARD CLEVIS HANGER

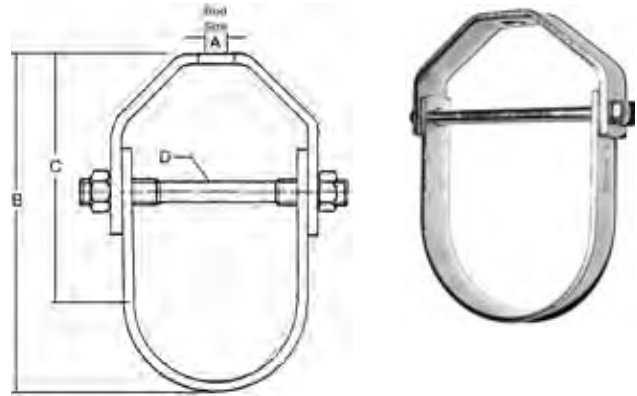
SIZE	"A"		"B"		"C"		"D"		Lower Material		Upper Material		Max Rec Load	
	mm	mm	mm	mm	mm	mm	mm	mm	mm	mm	mm			
1/2	13	3/8	10	2-3/8	73	2-13/32	61	1/4	6	1/8x1	3x25	1/8x1	3x25	300
3/4	19	3/8	10	3-5/32	80	2-9/16	65	1/4	6	1/8x1	3x25	1/8x1	3x25	300
1	25	3/8	10	3-3/8	86	2-21/32	68	1/4	6	1/8x1	3x25	1/8x1	3x25	300
1-1/4	32	3/8	10	3-3/4	95	2--3/4	70	1/4	6	1/8x1	3x25	1/8x1	3x25	610
1-1/2	38	3/8	10	4-1/16	103	2-7/8	73	1/4	6	1/8x1	3x25	1/8x1	3x25	610
2	50	3/8	10	4-1/2	114	3-1/4	82	1/4	6	1/8x1	3x25	1/8x1	3x25	610
2-1/2	64	1/2	13	5-1/2	140	4-1/16	103	3/8	10	3/16x1-3/16	4.5x30	3/16x1-3/16	4.5x30	1,130
3	76	1/2	13	6-1/8	155	4-5/16	110	3/8	10	3/16x1-3/16	4.5x30	3/16x1-3/16	4.5x30	1,350
3-1/2	89	1/2	13	6-3/4	171	4-3/4	120	3/8	10	3/16x1-3/16	4.5x30	3/16x1-3/16	4.5x30	1,350
4	102	5/8	16	7-5/8	193	5-5/16	135	3/8	10	3/16x1-3/16	4.5x30	1/4x1-3/16	6x30	1,430
5	127	5/8	16	8-7/8	225	6-1/16	154	1/2	13	3/16x1-3/16	4.5x30	1/4x1-3/16	6x30	1,430
6	152	3/4	19	10	254	6-5/8	169	1/2	13	3/16x1-1/2	4.5x38	1/4x1-1/2	6x38	1,940
8	203	3/4	19	12-3/4	324	8-3/8	213	5/8	16	3/16x1-1/2	4.5x38	1/4x1-1/2	6x38	2,000
10	254	7/8	22	16-5/8	423	11-11/16	297	3/4	19	1/4x2	6x50	5/16x2	8x50	3,600
12	305	7/8	22	18-11/16	475	12-1/4	312	3/4	19	1/4x2	6x50	5/16x2	8x50	3,800
14	356	1	25	20-5/16	516	13-15/16	354	7/8	22	1/4x2	6x50	15/32x2	12x50	4,200
16	406	1	25	22-1/16	560	14	355	1	25	1/4x2-1/2	6x63	15/32x2-1/2	12x63	4,600
18	457	1	25	24-3/4	628	15-11/16	398	1-1/8	28	1/4x2-1/2	6x63	15/32x2-1/2	12x63	4,800
20	508	1-1/4	32	27-3/8	695	17-5/16	440	1-1/4	32	5/16x3	8x76	5/8x3	16x76	4,800
24	610	1-1/4	32	31-5/8	803	19-9/16	497	1-1/4	32	5/16x3	8x76	5/8x3	16x76	4,800



STANDARD & COMMERCIAL PIPE HANGERS

A 235 SS Stainless Steel Standard Clevis Hanger

- Material :** 316 Stainless steel.
- Application :** Designed for suspending non – insulated stationary stainless steel pipe, allowing for vertical adjustment.
- Ordering :** Specify pipe size and figure number.
- Approvals :** Complies with Manufacturers Standardization Society SP – 69 Type 1



A 235SS STANDARD CLEVIS HANGER

SIZE	"A"		"B"		"C"		"D"		Lower Material		Upper Material		Max Rec Load	
	mm	mm	mm	mm	mm	mm	mm	mm	mm	mm				
1/2	13	3/8	10	2-3/8	73	2-13/32	61	1/4	6	1/8x1	3x25	1/8x1	3x25	300
3/4	19	3/8	10	3-5/32	80	2-9/16	65	1/4	6	1/8x1	3x25	1/8x1	3x25	300
1	25	3/8	10	3-3/8	86	2-21/32	68	1/4	6	1/8x1	3x25	1/8x1	3x25	300
1-1/4	32	3/8	10	3-3/4	95	2--3/4	70	1/4	6	1/8x1	3x25	1/8x1	3x25	610
1-1/2	38	3/8	10	4-1/16	103	2-7/8	73	1/4	6	1/8x1	3x25	1/8x1	3x25	610
2	50	3/8	10	4-1/2	114	3-1/4	82	1/4	6	1/8x1	3x25	1/8x1	3x25	610
2-1/2	64	1/2	13	5-1/2	140	4-1/16	103	3/8	10	3/16x1-3/16	4.5x30	3/16x1-3/16	4.5x30	1,130
3	76	1/2	13	6-1/8	155	4-5/16	110	3/8	10	3/16x1-3/16	4.5x30	3/16x1-3/16	4.5x30	1,350
3-1/2	89	1/2	13	6-3/4	171	4-3/4	120	3/8	10	3/16x1-3/16	4.5x30	3/16x1-3/16	4.5x30	1,350
4	102	5/8	16	7-5/8	193	5-5/16	135	3/8	10	3/16x1-3/16	4.5x30	1/4x1-3/16	6x30	1,430
5	127	5/8	16	8-7/8	225	6-1/16	154	1/2	13	3/16x1-3/16	4.5x30	1/4x1-3/16	6x30	1,430
6	152	3/4	19	10	254	6-5/8	169	1/2	13	3/16x1-1/2	4.5x38	1/4x1-1/2	6x38	1,940
8	203	3/4	19	12-3/4	324	8-3/8	213	5/8	16	3/16x1-1/2	4.5x38	1/4x1-1/2	6x38	2,000
10	254	7/8	22	16-5/8	423	11-11/16	297	3/4	19	1/4x2	6x50	5/16x2	8x50	3,600
12	305	7/8	22	18-11/16	475	12-1/4	312	3/4	19	1/4x2	6x50	5/16x2	8x50	3,800
14	356	1	25	20-5/16	516	13-15/16	354	7/8	22	1/4x2	6x50	15/32x2	12x50	4,200
16	406	1	25	22-1/16	560	14	355	1	25	1/4x2-1/2	6x63	15/32x2-1/2	12x63	4,600
18	457	1	25	24-3/4	628	15-11/16	398	1-1/8	28	1/4x2-1/2	6x63	15/32x2-1/2	12x63	4,800
20	508	1-1/4	32	27-3/8	695	17-5/16	440	1-1/4	32	5/16x3	8x76	5/8x3	16x76	4,800
24	610	1-1/4	32	31-5/8	803	19-9/16	497	1-1/4	32	5/16x3	8x76	5/8x3	16x76	4,800



STANDARD & COMMERCIAL PIPE HANGERS

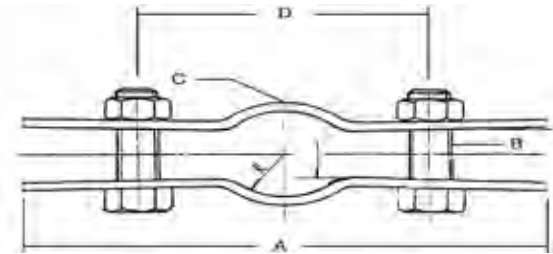
A 150 Standard Riser Clamp

Material : Zinc Plated Carbon Steel Also available hot / dipped galvanized. And bare metal.

Application: Designed for supporting and stabilizing vertical pipe runs.

Ordering: Specify pipe size, and figure number.

Approvals: Complies with Manufacturers Standardization Society SP – 69 Type 8.



A 150 STANDARD RISER CLAMP

SIZE	"A"		"B"		"C"		"D"		Max Rec Load	Box Qty	
	mm	mm	mm	mm	mm	mm	mm	mm			
1/2	13	8-1/2	216	3/8	10	1/8x1	3x25	2-3/8	59	220	25
3/4	19	8-15/16	227	3/8	10	1/8x1	3x25	2-11/16	68	255	25
1	25	8-15/16	227	3/8	10	1/8x1	3x25	2-13/16	71	255	25
1-1/4	32	9-7/16	240	3/8	10	1/8x1	3x25	3-5/16	83	255	25
1-1/2	38	9-7/8	251	3/8	10	1/8x1	3x25	3-3/4	95	255	25
2	50	10-1/4	260	3/8	10	5/32x1-1/4	4x30	4-3/16	106	300	25
2-1/2	64	11	280	3/8	10	5/32x1-1/4	4x30	4-7/8	124	400	20
3	76	11-3/4	298	3/8	10	3/16x1-1/4	4.5x30	5-1/2	140	500	20
3-1/2	89	12-5/8	321	1/2	13	3/16x1-1/4	4.5x30	6-5/8	168	600	15
4	102	13	330	1/2	13	1/4x1-1/4	6x30	8-1/4	168	750	15
5	127	14-1/2	368	1/2	13	1/4x1-1/4	6x30	9-5/8	210	1,500	15
6	152	16	406	1/2	13	1/4x2	5.5x50	12-1/4	244	1,600	10
8	203	18-1/4	464	5/8	16	3/8x2	10x50	14-5/8	311	2,500	Bulk
10	254	20-5/8	524	5/8	16	3/8x2	10x50	17-1/8	371	2,500	Bulk
12	305	23	584	5/8	16	1/2x2	13x50	18-1/4	435	2,700	Bulk
14	356	24-1/2	622	5/8	16	1/2x2	13x50	21	464	2,700	Bulk
16	406	27	686	3/4	19	5/8x2-1/2	16x64	23	533	3,700	Bulk
18	457	29	737	3/4	19	5/8x2-1/2	16x64	23	584	3,700	Bulk
20	508	31-5/8	803	3/4	19	5/8x3	16x76	25-5/8	651	2,900	Bulk



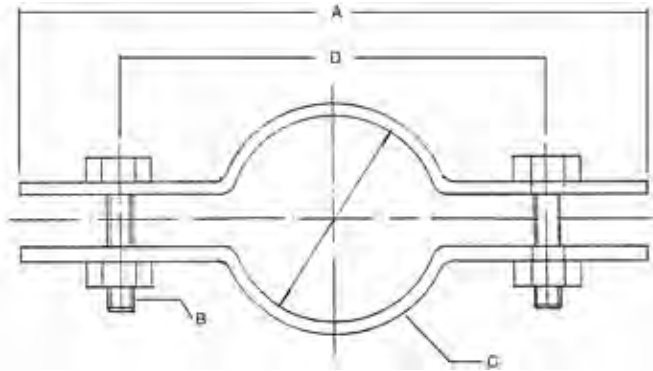
STANDARD & COMMERCIAL PIPE HANGERS

A 322 Short Tongue Riser Clamp

Material : Bare Metal Carbon Steel, Sizes 2" thru 6". Also available in Hot Dipped Galvanized/.

Application: Designed for use on vertical pipe runs that have to be attached to a cement column, usually in underground parking lots. The short ear pattern of this clamp allows for simple installation.

Ordering: Specify pipe size, and figure number.



A 322 SHORT TONGUE RISER CLAMP

Size	A		B		C		D		Max Rec Load	Box Qty	
	mm	mm	mm	mm	mm	mm	mm				
2	50	6-1/4	159	3/8	9	3/16x1-1/4	5x32	4-5/16	116	300	Bulk
2-1/2	64	7-1/8	181	3/8	9	1/4x1-1/4	6x32	5-7/16	138	325	Bulk
3	76	8	203	3/8	9	1/4x1-1/4	6x32	5-13/16	147	500	Bulk
4	102	9-3/8	238	1/2	13	1/4x1-1/2	6x38	7-1/8	181	750	Bulk
6	152	10-5/8	269	1/2	13	1/4x2	6x50	9-1/2	241	1,600	Bulk



STANDARD & COMMERCIAL PIPE HANGERS

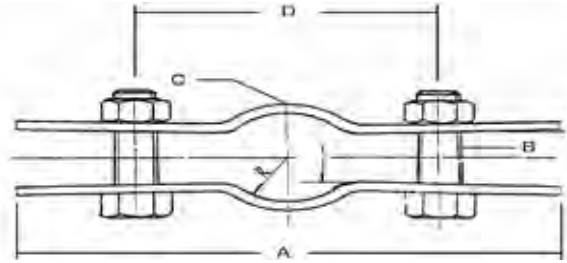
A 325 C Copper Plated Riser Clamp

Material : Copper Electroplated Carbon Steel.

Application : Designed to support and stabilize vertical runs of copper tubing.

Ordering : Specify figure number and copper tubing size.

Approvals : Complies with Manufacturers Standardization Society SP – 69 Type 8.



A 325 C COPPER PLATED RISER CLAMP

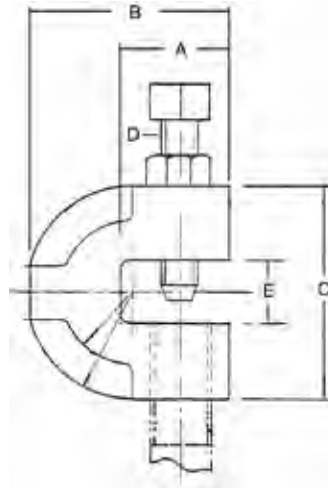
SIZE	"A"		"B"		"C"		"D"		Max Rec Load	Box Qty	
	mm	mm	mm	mm	mm	mm	mm	mm			
1/2	13	8-1/2	216	5/16	8	1/8"x1	3x25	2-1/2	64	220	25
3/4	19	9-1/4	235	5/16	8	1/8"x1	3x25	2-3/4	70	220	25
1	25	9-1/4	235	5/16	8	1/8"x1	3x25	3-1/4	83	255	20
1-1/4	32	9-1/2	241	5/16	8	5/32x1-1/4	4x30	3-1/2	89	255	20
1-1/2	38	9-1/2	241	3/8	10	5/32x1-1/4	4x30	3-5/8	92	255	20
2	50	10-1/4	260	3/8	10	5/32x1-1/4	4x30	4-3/8	111	300	20
2-1/2	64	11	280	3/8	10	5/32x1-1/4	4x30	5-3/8	137	400	10
3	76	12	305	3/8	10	5/32x1-1/4	4x30	6	152	500	10
4	102	12-1/2	318	3/8	10	5/32x1-1/4	4x30	6-1/2	165	750	10



STANDARD & COMMERCIAL PIPE HANGERS

A 410 C-Clamp

Material :	Malleable Iron.
Application:	Designed for attachment to standard I-Beams where the beam thickness does not exceed 5/8".
Ordering:	Specify pipe size, and figure number.
Approvals:	Complies with Manufacturers Standardization Society SP – 69 Type 19.



A410 C-CLAMP

SIZE	A		B		C		D		E		Max Rec Load	Box Qty	
	mm	mm	mm	mm	mm	mm	mm	mm					
3/8	10	15/16	24	1-3/4	45	1-3/4	45	3/8	10	13/16	20	350	50
1/2	13	15/16	24	1-3/4	45	1-3/4	45	3/8	10	13/16	20	500	50
5/8	16	1-9/64	29	2-1/8	54	2-7/32	56	3/8	10	13/16	20	550	50
3/4	19	1-9/64	29	2-1/8	54	2-7/32	56	3/8	10	13/16	20	630	50



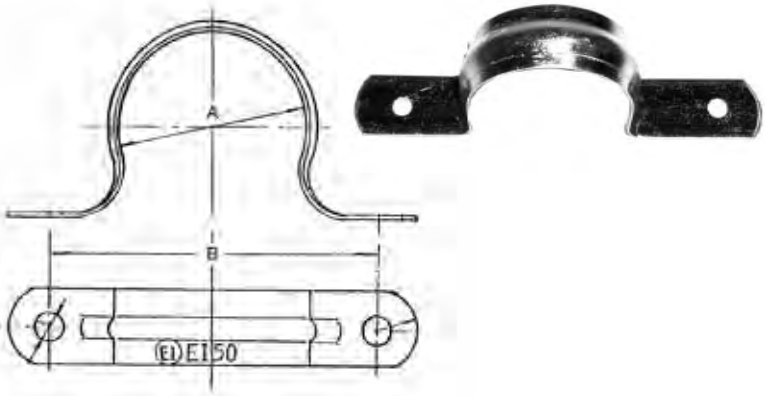
STANDARD & COMMERCIAL PIPE HANGERS

A 50 Zinc Plated 2- Hole Pipe Strap

Material : Zinc Plated Carbon Steel

Application : Designed to support steel pipe on walls or on a roof where pipe needs to be securely fastened.

Ordering : Specify figure number and pipe size.



A 50 2-HOLE PIPE STRAP

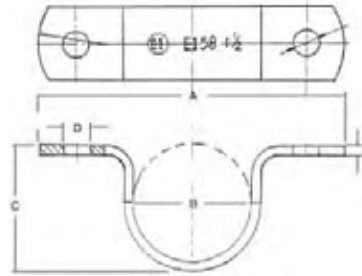
SIZE		A		B		Box Qty
	mm		mm		mm	
3/8	10	11/16	17	1-5/8	41	250
1/2	13	13/16	21	1-3/4	44	250
3/4	19	1-1/16	27	1-7/8	48	200
1	25	1-5/16	33	2-3/8	60	100
1-1/4	32	1-21/32	42	2-7/8	73	100
1-1/2	38	1-7/8	48	3-1/4	83	75
2	50	2-3/8	60	4-1/4	108	50
2-1/2	64	2-7/8	73	4-7/8	124	25
3	76	3-1/2	89	5-5/8	143	20
4	102	4-1/2	114	6-15/16	176	10



STANDARD & COMMERCIAL PIPE HANGERS

A 58 Heavy Duty Black Short Strap

Material :	Carbon Steel
Application:	Designed for supporting pipe runs between walls, ceilings, and on a roof.
Ordering:	Specify pipe size, and figure number.
Approvals:	Complies with Manufacturers Standardization Society SP – 69 Type 26.



A 58 HEAVY DUTY BLACK SHORT STRAP

SIZE	A		B		C		D		E		Max Rec load	
	mm	mm	mm	mm	mm	mm	mm	mm	mm			
1/2	13	2-7/16	62	7/8	22	7/8	20	5/16	8	1/8x1	3x25	300
3/4	19	2-7/8	73	1-7/64	28	1	25	5/16	8	1/8x1	3x25	300
1	25	2-7/8	73	1-3/8	35	1-1/4	32	5/16	8	1/8x1	3x25	300
1-1/4	32	3-9/16	90	1-3/4	44	1-5/8	41	5/16	8	1/8x1	3x25	300
1-1/2	38	3-15/16	100	2	50	1-7/8	47	7/16	11	9/64x1-1/4	3.5x32	300
2	50	4-7/16	113	2-7/16	62	2-1/4	57	7/16	11	9/64x1-1/4	3.5x32	300
2-1/2	64	5-13/16	148	2-15/16	75	2-11/16	69	7/16	11	3/16x1-1/2	4.5x38	400
3	76	6	152	3-9/16	91	3-5/16	84	7/16	11	3/16x1-1/2	4.5x38	400
4	102	8	203	4-9/16	116	4-5/16	110	9/16	14	1/4x1-1/2	6x38	400
5	127	8-5/8	219	5-11/16	144	5-3/8	136	9/16	14	1/4x1-1/2	6x38	400
6	152	9-5/8	245	6-3/4	171	6-3/8	162	9/16	14	1/4x1-1/2	6x38	500
8	203	12-5/8	320	8-3/4	222	8-1/2	216	11/16	17	3/8x1-1/2	10x38	500
10	254	14-1/8	359	10-7/8	276	10-5/8	270	13/16	21	3/8x2	10x50	600
12	305	16-3/8	416	12-7/8	327	12-5/8	321	13/16	21	15/32x2	12x50	600



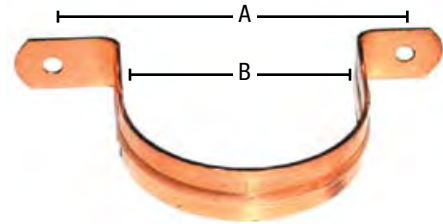
STANDARD & COMMERCIAL PIPE HANGERS

A 48 Solid Copper Pipe Strap c/w nails

Material: Solid copper sheet stock

Size Range: 1/2", 3/4", 1', 1 1/4", 1 1/2", and 2".

Ordering: Specify copper tube size required.



A48 SOLID COPPER PIPE STRAPS

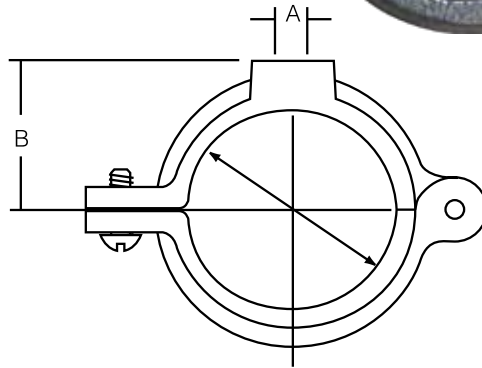
Size	A		B		Box Qty	
	mm	mm	mm	mm		
1/2	13	1-5/8	41	0.669	17	500/2000
3/4	19	1-3/4	44	0.875	22	400/1600
1	25	2-1/8	54	1.125	29	100/400
1-1/4	32	2-1/4	57	1.375	35	100/400
1-1/2	38	2-7/8	73	1.625	42	50/200
2	50	3-3/8	85	2.125	54	50/200



STANDARD & COMMERCIAL PIPE HANGERS

A 131 Split Ring Hanger - Hinged

Material :	Zinc Plated Malleable Iron.
Application:	Designed for suspending non-insulated pipe horizontally.
Ordering:	Specify pipe size, and figure number.
Approvals:	Complies with Manufacturers Standardization Society SP – 69 Type 12.



A 131 SPLIT RING HANGER

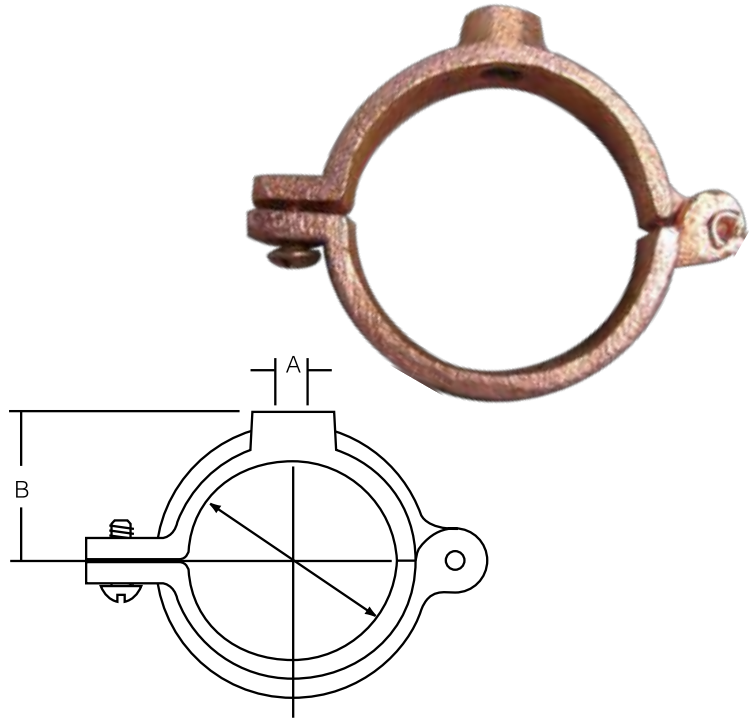
SIZE	A		B		Max Rec load	
	mm	mm	mm	mm		
1/2	13	3/8	10	7/8	22	180
3/4	19	3/8	10	1	25	180
1	25	3/8	10	1-7/64	28	180
1-1/4	32	3/8	10	1-5/16	33	180
1-1/2	38	3/8	10	1-17/32	39	180
2	50	3/8	10	1-11/16	43	180
2-1/2	64	1/2	13	2-1/8	54	300
3	76	1/2	13	2-7/16	62	300
4	102	1/2	13	3	75	300



STANDARD & COMMERCIAL PIPE HANGERS

A 131C Copper Plated Split Ring Hanger - Hinged

Material :	Copper Plated Malleable Iron.
Application:	Designed for suspending non-insulated pipe horizontally.
Ordering:	Specify pipe size, and figure number.
Approvals:	Complies with Manufacturers Standardization Society SP – 69 Type 12.



A 131C COPPER PLATED SPLIT RING HANGER - HINGED

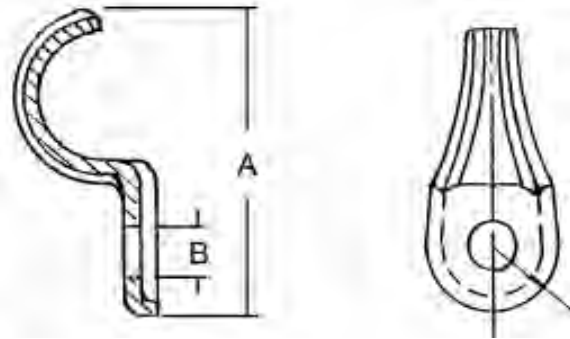
SIZE	A		B		Max Rec load	
	mm	mm	mm	mm		
1/2	13	3/8	10	7/8	22	180
3/4	19	3/8	10	1	25	180
1	25	3/8	10	1-7/64	28	180
1-1/4	32	3/8	10	1-5/16	33	180
1-1/2	38	3/8	10	1-17/32	39	180
2	50	3/8	10	1-11/16	43	180
2-1/2	64	1/2	13	2-1/8	54	300
3	76	1/2	13	2-7/16	62	300
4	102	1/2	13	3	75	300



STANDARD & COMMERCIAL PIPE HANGERS

A132 One Hole Clamp

- Material : Zinc Plated Malleable Iron.
- Application: Designed for supporting light duty pipe against wood or concrete walls.
- Ordering: Specify pipe size, and figure number.



A 132 ONE HOLE CLAMP

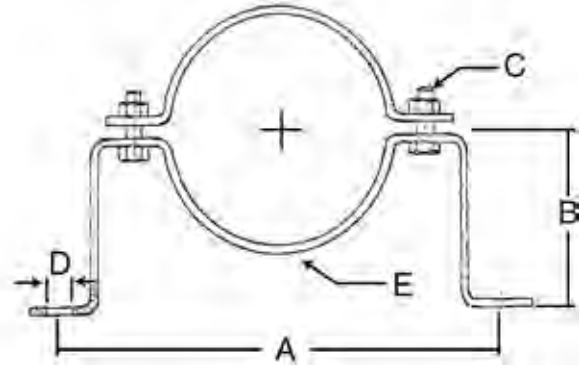
SIZE	A		B		Box Qty	
	mm	mm	mm	mm		
3/8	9	7/8	22	1/4	6	100
1/2	13	1	25	1/4	6	100
3/4	19	1-3/16	30	5/16	8	100
1	25	1-3/8	35	3/8	10	100
1-1/4	32	1-9/16	40	3/8	10	100
1-1/2	38	1-13/16	46	1/2	13	100
2	50	2-1/8	54	1/2	13	50



STANDARD & COMMERCIAL PIPE HANGERS

A 500 Offset Pipe Clamp

Material:	Carbon Steel
Finish:	Bare metal standard. Zinc plated and hot dipped galvanized are also available.
Service:	These clamps are designed for supporting vertical or horizontal pipe runs at a fixed distance from a wall or structure.
Ordering:	Specify part number, and pipe size.



A500 OFFSET PIPE CLAMP

Size	A		B		C		D		E		Max Rec Load	
	mm	mm	mm	mm	mm	mm	mm	mm	mm			
1/2	13	6	152	2-1/2	64	3/8	10	7/16	11	13/16x1-1/4	5x32	200
3/4	19	7-5/16	189	2-1/2	64	3/8	10	7/16	11	13/16x1-1/4	5x32	200
1	25	7-9/16	192	2-5/8	67	3/8	10	7/16	11	13/16x1-1/4	5x32	200
1-1/4	32	7-7/8	200	2-13/16	71	3/8	10	7/16	11	13/16x1-1/4	5x32	200
1-1/2	38	8-1/4	210	3	75	3/8	10	7/16	11	13/16x1-1/4	5x32	200
2	50	9-1/8	232	3-3/16	81	1/2	13	9/16	14	1/4x1-1/4	6x32	410
2-1/2	64	10-1/2	267	3-7/16	87	1/2	13	9/16	14	1/4x1-1/4	6x32	410
3	76	11-1/8	283	3-3/4	95	1/2	13	9/16	14	1/4x1-1/4	6x32	410
4	102	12-1/2	318	4-1/4	108	1/2	13	9/16	14	1/4x1-1/2	6x38	600
5	127	13-3/4	349	4-3/4	121	5/8	16	11/16	17.5	1/4x2	6x50	600
6	152	16-1/2	419	5-5/16	135	5/8	16	11/16	17.5	3/8x2	10x50	850
8	203	18-5/8	473	6-5/16	160	5/8	16	11/16	17.5	3/8x2	10x50	850
10	254	23	584	7-3/4	197	3/4	19	13/16	21	3/8x3	10x76	870
12	305	25	635	8-3/4	222	3/4	19	13/16	21	3/8x3	10x76	870





FIRE PROTECTION & WATERWORKS HANGERS

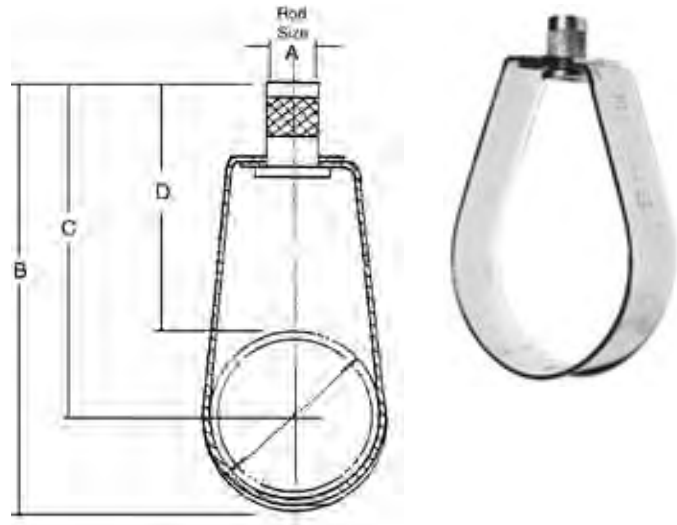
Hangers offered in this section are designed to support fire sprinkler pipe, and ductile iron pipe.

Material:	Carbon steel, malleable iron and 316 stainless steel are used in manufacturing these hangers. Other materials are also available on request.
Finishes:	There is an assortment of finishes used in the fire protection product line, Standard hangers are made from pregalvanized material . Waterworks clamps are furnished bare metal but hook tie bolts are Zinc Plated.
Approvals:	Some items in this section are Underwriters Laboratory listed and Factory Mutual Approved. All other items comply with Manufacturers Standardization Society MSS Sp-69.

FIRE PROTECTION & WATERWORKS HANGERS

A 100 Adjustable Swivel Ring Hanger

Material:	Pre Galvanized Carbon Steel
Application:	Used for all general purpose and fire protection lines. The knurled nut allows for hanger alignment and adjustment after installation.
Approvals:	Underwriters Laboratory Listed, Factory Mutual Approved. Complies with Manufacturers Standardization Society.
Ordering:	Specify figure number and pipe size.



A 100 ADJUSTABLE SWIVEL RING HANGER

SIZE	"A"		"B"		"C"		"D"		Max Rec Load	Box Qty	
	mm		mm		mm		mm				
1/2	13	3/8	10	2-11/16	69	2-3/16	55	7/8	23	300	100
3/4	19	3/8	10	2-15/16	74	2-13/32	60	1-3/16	28	300	100
1	25	3/8	10	3-1/8	79	2-1/2	65	1-3/8	35	300	100
1-1/4	32	3/8	10	3-1/2	89	3	75	1-3/4	44	300	100
1-1/2	38	3/8	10	3-3/4	94	3-1/8	80	2	50	300	100
2	50	3/8	10	4-3/32	104	3-1/2	90	2-7/16	62	300	100
2-1/2	64	3/8	10	5-5/6	134	4-3/4	120	3	75	525	50
3	76	3/8	10	5-11/16	144	5-1/8	130	3-1/2	91	525	50
4	102	3/8	10	6-7/8	174	6-5/16	160	4-5/8	116	650	25
5	127	1/2	13	9-1/8	231	8-15/32	215	5-11/16	143	1,000	15
6	152	1/2	13	10-1/4	261	9-15/32	240	6-5/8	170	1,000	10
8	203	1/2	13	12-1/2	316	11-3/4	300	8-11/16	221	1,000	10



FIRE PROTECTION & WATERWORKS HANGERS

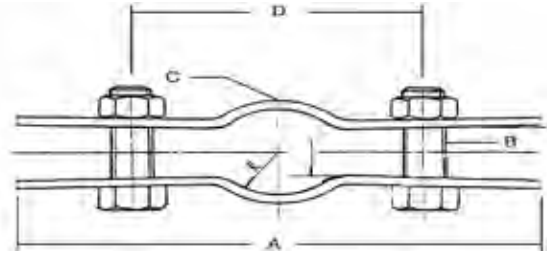
A 150 Standard Riser Clamp

Material: Zinc Plated Carbon Steel Also available hot / dipped galvanized. And bare metal.

Application: Designed for supporting and stabilizing vertical pipe runs.

Ordering: Specify pipe size, and figure number.

Approvals: Complies with Manufacturers Standardization Society SP – 69 Type 8.



A 150 STANDARD RISER CLAMP

SIZE	"A"		"B"		"C"		"D"		Max Rec Load	
	mm		mm		mm		mm			
1/2	13	8-1/2	216	3/8	10	1/8x1	3x25	2-3/8	59	220
3/4	19	8-15/16	227	3/8	10	1/8x1	3x25	2-11/16	68	255
1	25	8-15/16	227	3/8	10	1/8x1	3x25	2-13/16	71	255
1-1/4	32	9-7/16	240	3/8	10	1/8x1	3x25	3-5/16	83	255
1-1/2	38	9-7/8	251	3/8	10	1/8x1	3x25	3-3/4	95	255
2	50	10-1/4	260	3/8	10	5/32x1-1/4	4x30	4-3/16	106	300
2-1/2	64	11	280	3/8	10	5/32x1-1/4	4x30	4-7/8	124	400
3	76	11-3/4	298	3/8	10	3/16x1-1/4	4.5x30	5-1/2	140	500
3-1/2	89	12-5/8	321	1/2	13	3/16x1-1/4	4.5x30	6-5/8	168	600
4	102	13	330	1/2	13	1/4x1-1/4	6x30	8-1/4	168	750
5	127	14-1/2	368	1/2	13	1/4x1-1/4	6x30	9-5/8	210	1,500
6	152	16	406	1/2	13	1/4x2	5.5x50	12-1/4	244	1,600
8	203	18-1/4	464	5/8	16	3/8x2	10x50	14-5/8	311	2,500
10	254	20-5/8	524	5/8	16	3/8x2	10x50	17-1/8	371	2,500
12	305	23	584	5/8	16	1/2x2	13x50	18-1/4	435	2,700
14	356	24-1/2	622	5/8	16	1/2x2	13x50	21	464	2,700
16	406	27	686	3/4	19	5/8x2-1/2	16x64	23	533	3,700
18	457	29	737	3/4	19	5/8x2-1/2	16x64	23	584	3,700
20	508	31-5/8	803	3/4	19	5/8x3	16x76	25-5/8	651	2,900



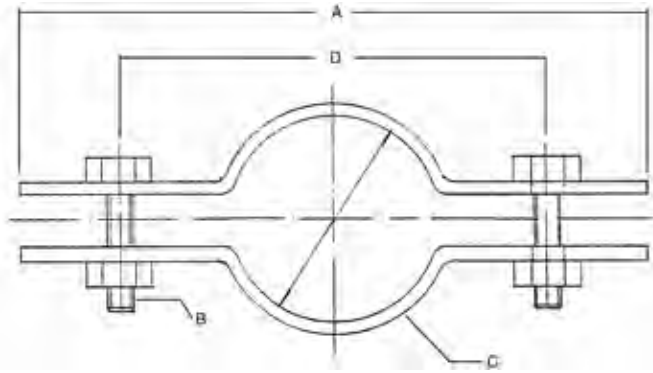
FIRE PROTECTION & WATERWORKS HANGERS

A 322 Short Tongue Riser Clamp

Material : Carbon Steel

Application: Designed for use on vertical pipe runs that have to be attached to a cement column, usually in underground parking lots. The short ear pattern of this clamp allows for simple installation.

Ordering: Specify pipe size, and figure number.



A 322 SHORT TONGUE RISER CLAMP

Size	A		B		C		D		Max Rec Load	Box Qty	
	mm	mm	mm	mm	mm	mm	mm				
2	50	6-1/4	159	3/8	9	3/16x1-1/4	5x32	4-5/16	116	300	Bulk
2-1/2	64	7-1/8	181	3/8	9	1/4x1-1/4	6x32	5-7/16	138	325	Bulk
3	76	8	203	3/8	9	1/4x1-1/4	6x32	5-13/16	147	500	Bulk
4	102	9-3/8	238	1/2	13	1/4x1-1/2	6x38	7-1/8	181	750	Bulk
6	152	10-5/8	269	1/2	13	1/4x2	6x50	9-1/2	241	1,600	Bulk



FIRE PROTECTION & WATERWORKS HANGERS

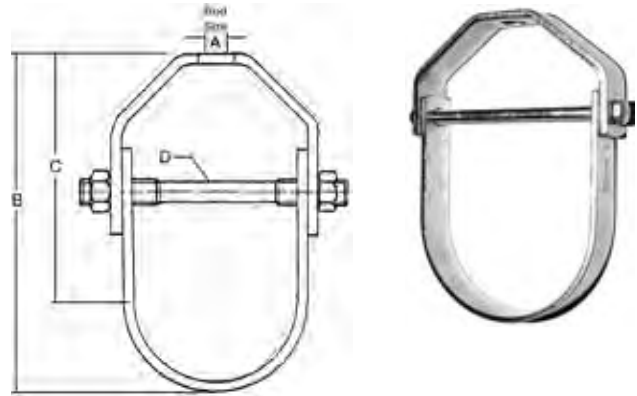
A 235 Standard Clevis Hanger

Material : Zinc plated carbon steel. Also available in Stainless Steel and Bare Metal.

Application : Designed for suspending non – insulated stationary pipe, allowing for vertical adjustment.

Ordering : Specify pipe size and figure number.

Approvals : Complies with Manufacturers Standardization Society SP – 69 Type 1



Listed and approved in 1" thru 8" only

A 235 STANDARD CLEVIS HANGER

SIZE	"A"		"B"		"C"		"D"		Lower Material		Upper Material		Max Rec Load	
	mm	mm	mm	mm	mm	mm	mm	mm	mm	mm	mm			
1/2	13	3/8	10	2-3/8	73	2-13/32	61	1/4	6	1/8x1	3x25	1/8x1	3x25	300
3/4	19	3/8	10	3-5/32	80	2-9/16	65	1/4	6	1/8x1	3x25	1/8x1	3x25	300
1	25	3/8	10	3-3/8	86	2-21/32	68	1/4	6	1/8x1	3x25	1/8x1	3x25	300
1-1/4	32	3/8	10	3-3/4	95	2--3/4	70	1/4	6	1/8x1	3x25	1/8x1	3x25	610
1-1/2	38	3/8	10	4-1/16	103	2-7/8	73	1/4	6	1/8x1	3x25	1/8x1	3x25	610
2	50	3/8	10	4-1/2	114	3-1/4	82	1/4	6	1/8x1	3x25	1/8x1	3x25	610
2-1/2	64	1/2	13	5-1/2	140	4-1/16	103	3/8	10	3/16x1-3/16	4.5x30	3/16x1-3/16	4.5x30	1,130
3	76	1/2	13	6-1/8	155	4-5/16	110	3/8	10	3/16x1-3/16	4.5x30	3/16x1-3/16	4.5x30	1,350
3-1/2	89	1/2	13	6-3/4	171	4-3/4	120	3/8	10	3/16x1-3/16	4.5x30	3/16x1-3/16	4.5x30	1,350
4	102	5/8	16	7-5/8	193	5-5/16	135	3/8	10	3/16x1-3/16	4.5x30	1/4x1-3/16	6x30	1,430
5	127	5/8	16	8-7/8	225	6-1/16	154	1/2	13	3/16x1-3/16	4.5x30	1/4x1-3/16	6x30	1,430
6	152	3/4	19	10	254	6-5/8	169	1/2	13	3/16x1-1/2	4.5x38	1/4x1-1/2	6x38	1,940
8	203	3/4	19	12-3/4	324	8-3/8	213	5/8	16	3/16x1-1/2	4.5x38	1/4x1-1/2	6x38	2,000
10	254	7/8	22	16-5/8	423	11-11/16	297	3/4	19	1/4x2	6x50	5/16x2	8x50	3,600
12	305	7/8	22	18-11/16	475	12-1/4	312	3/4	19	1/4x2	6x50	5/16x2	8x50	3,800
14	356	1	25	20-5/16	516	13-15/16	354	7/8	22	1/4x2	6x50	15/32x2	12x50	4,200
16	406	1	25	22-1/16	560	14	355	1	25	1/4x2-1/2	6x63	15/32x2-1/2	12x63	4,600
18	457	1	25	24-3/4	628	15-11/16	398	1-1/8	28	1/4x2-1/2	6x63	15/32x2-1/2	12x63	4,800
20	508	1-1/4	32	27-3/8	695	17-5/16	440	1-1/4	32	5/16x3	8x76	5/8x3	16x76	4,800
24	610	1-1/4	32	31-5/8	803	19-9/16	497	1-1/4	32	5/16x3	8x76	5/8x3	16x76	4,800



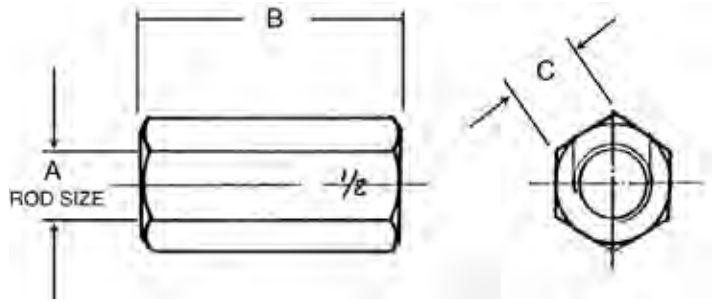
FIRE PROTECTION & WATERWORKS HANGERS

A 450 Steel Rod Couplings

Material : Zinc Plated Carbon Steel.

Application: Rod couplings are used to join two pieces of threaded rod together in order to support a pipe hanger holding pipe.

Ordering : Specify figure number and rod size required.



A 450 STEEL ROD COUPLINGS

SIZE		"A"		"B"		"C"		Box Qty
	mm		mm		mm		mm	
1/4	6	1/4	6	7/8	22	5/16	8	250
3/8	10	3/8	10	1-3/4	44	5/16	8	200
1/2	13	1/2	13	1-3/4	44	3/8	10	150
5/8	16	5/8	16	2	50	1/2	13	Bulk
3/4	19	3/4	19	2-1/4	57	9/16	14	Bulk
7/8	22	7/8	22	2-1/2	64	-	-	Bulk
1	25	1	25	2-1/2	64	-	-	Bulk
1-1/4	32	1-1/4	32	3	76	-	-	Bulk
1-1/2	38	1-1/2	38	3	76	-	-	Bulk



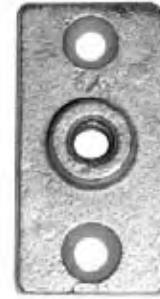
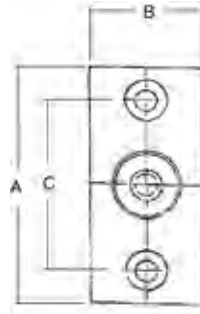
FIRE PROTECTION & WATERWORKS HANGERS

A 22Z Zinc Plated Ceiling Flange

Material: Zinc Plated Malleable Iron.

Application: Designed for attaching to a wooden beam or structure where a hanger rod or threaded rod can be connected to support a pipe hanger.

Ordering: Specify figure number and rod size required.



A 22Z CEILING FLANGE ZINC PLATED

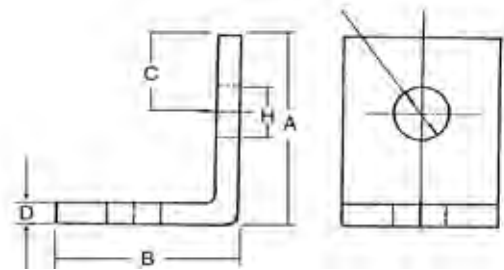
SIZE	"A"		"B"		"C"		Max Rec Load	Box Qty	
	mm	mm	mm	mm	mm	mm			
3/8	10	2-3/4	70	1-1/4	32	2	50	180	100
1/2	13	2-3/4	70	1-1/4	32	2	50	180	100



FIRE PROTECTION & WATERWORKS HANGERS

A 350 Side Beam Bracket

Material:	Carbon Steel
Application:	Designed for attaching a hanger rod to the side of beams or walls.
Ordering:	Specify figure number and Rod size.



A 350 SIDE BEAM CLAMP

Rod Size		Hole Size "H"		"A"		"B"		"C"		"D"		Max Rec Load	
	mm		mm		mm		mm		mm		mm	w/Lag Screw	w/Bolt to Steel
3/8	10	7/16	11	2	51	1-7/8	47	1/2	13	1/4x1-5/8	6x41	650	1,150
1/2	13	9/16	14	2	51	1-7/8	47	13/16	21	1/4x1-5/8	6x41	650	1,150
5/8	16	11/16	17.5	3	76	3	76	1	26	3/8x2	10x50	850	2,000
3/4	19	13/16	21	3-1/2	89	3-7/16	87	1-1/4	32	3/8x2	10x50	900	2,200
7/8	22	15/16	24	3-1/2	89	3-1/2	89	1-1/4	32	1/2x2	12x50	950	2,400



FIRE PROTECTION & WATERWORKS HANGERS

A 05 Wood Drive Screws

Material: Zinc plated carbon steel.

Application: For fastening light load attachments to wood beams.

Ordering: Specify figure number and screw size #2



A 05 WOOD DRIVE SCREW

Size	Length		Wgt/100		Box Qty
		mm		kg	
16	2	50	2.2	1	2000



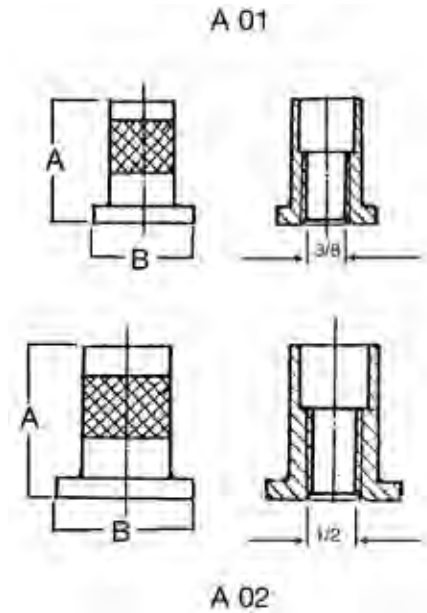
FIRE PROTECTION & WATERWORKS HANGERS

A 01/02 Swivel Nuts

Material: Zinc Plated Carbon Steel.

Application: Nut used for A 100 swivel Ring Hanger which allows for vertical adjustment.

Ordering: Specify figure number and rod size.
A 01 for 3/8" A 02 for 1/2" rod.



A 01/02 SWIVEL NUTS

FIG#	SIZE		A		B	
		mm		mm		mm
A-01	3/8	10	7/8	22	11/16	17.5
A-02	1/2	13	1-1/8	28	1	25



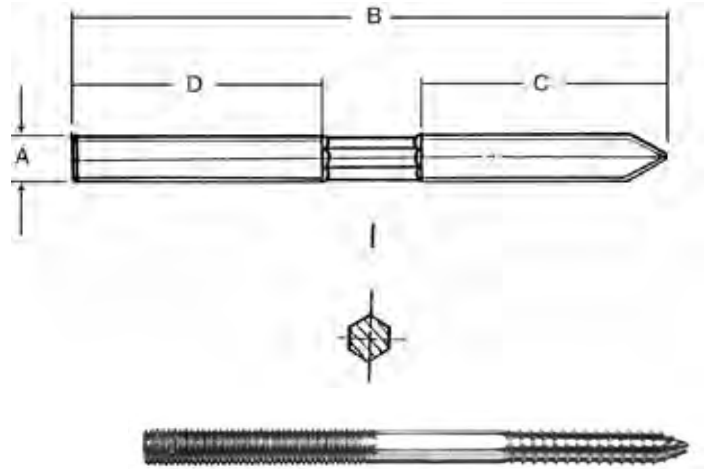
FIRE PROTECTION & WATERWORKS HANGERS

A 425 Coach Screw Rod

Material : Carbon Steel Wire

Application : Coach screw rods are used to support a hanger from a wooden joist. Coach screw rods have a lag thread on one end and a machine thread on the other end.

Ordering : Specify figure number and rod size required.



A 425 COACH SCREW RODS

SIZE		"A"		"B"		"C"		"D"		Box Qty
	mm		mm		mm		mm		mm	
3/8x4	10x102	3/8	10	4	102	1-7/8	48	1-1/2	38	400
3/8x6	10x152	3/8	10	6	152	1-7/8	48	2-1/2	64	400
3/8x8	10x203	3/8	10	8	203	1-7/8	48	2-1/2	64	400
3/8x10	10x254	3/8	10	10	254	1-7/8	48	2-1/2	64	200
3/8x12	10x305	3/8	10	12	305	1-7/8	48	2-1/2	64	200
1/2x6	13x152	1/2	13	6	152	1-7/8	48	2-1/2	64	200
1/2x8	13x203	1/2	13	8	203	1-7/8	48	2-1/2	64	100



FIRE PROTECTION & WATERWORKS HANGERS

A 926 All Threaded Rod – Zinc Plated

Only available in Western Canada

Material:	A 1008 - 1018 Carbon Steel.
Application:	Designed for use in pipe hanger assemblies or supporting standard pipe hangers to a structure.
Ordering:	Specify figure number and finish.



A926 ALL THREADED ROD - ZINC PLATED

Rod Size		Color Code	Threads per Inch	10' Lengths (Weight per Length)		12' Lengths (Weight per Length)		3' Lengths (Weight per Length)	
	mm					kg		kg	
1/4	6	White	20	1.9	0.88	2.3	1.06	0.6	0.27
5/16	8	Beige	18	2.4	1.10	2.9	1.33	0.7	0.33
3/8	10	Black	16	2.9	1.33	3.5	1.59	0.9	0.40
1/2	13	Yellow	14	5.9	2.34	6.2	2.83	1.6	0.71
5/8	16	Brown	11	8.1	3.68	9.7	4.42	2.4	1.11
3/4	19	Green	10	11.7	5.30	14	6.36	3.5	1.59
7/8	22	Orange	9	15.8	7.20	19	8.64	4.8	2.16
1	25	Light Blue	8	20.7	9.42	25	11.3	6.2	2.83



FIRE PROTECTION & WATERWORKS HANGERS

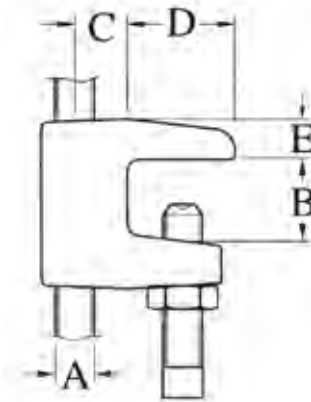
B 20 Top Beam Clamp - Standard

Material: Ductile iron casting with a hardened steel set screw

Application: Designed for attaching a hanger rod to the top or bottom flange of a bar joist or other structural shapes where the thickness of the flange does not exceed 5/8".

Ordering: Specify figure number and rod size.

Approvals: Underwriters' Laboratory Listed and Factory Mutual Approved. Conforms with Manufacturers Standardization Society ANSI/MSS-5P-58 (Type 19 & 23), Install in accordance with ANSI/MSS-5P-69. Exceeds requirements of NFPA-13..



B20



B 20 TOP BEAM CLAMP - STANDARD

Rod Size		"B"		"C"		"D"		"E"		Max Rec Loads	Box Qty
	mm		mm		mm		mm		mm		
3/8	10	3/4	25	.49	12.5	1	25.4	3/8	9.5	500	75
1/2	13	3/4	25	.49	12.5	1	25.4	3/8	9.5	500	75
5/8	16	1	25	2-3/16	55	1-13/16	46	3/8	10	600	50
3/4	19	1-1/8	28	2-5/16	58	1-13/16	46	1/2	13	800	25



FIRE PROTECTION & WATERWORKS HANGERS

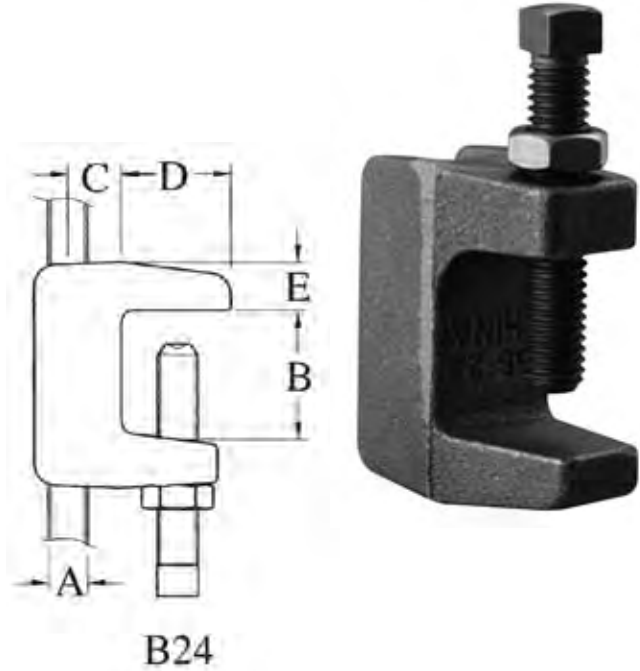
B 24 Top Beam Clamp - Wide Mouth

Material: Ductile iron casting with a hardened steel set screw

Application: Designed for attaching a hanger rod to the top or bottom flange of a bar joist or other structural shapes where the thickness of the flange does not exceed 1 +"

Ordering: Specify figure number, and rod size.

Approvals: Underwriters' Laboratory Listed and Factory Mutual Approved. Conforms with Manufacturers Standardization Society ANSI/MSS-5P-58 (Type 19 & 23), Install in accordance with ANSI/MSS-5P-69. Exceeds requirements of NFPA-13..



B 24 TOP BEAM CLAMP - WIDE MOUTH

Rod Size		"B"		"C"		"D"		"E"		Max Rec Loads	Box Qty
	mm		mm		mm		mm		mm		
3/8	10	1-1/8	28.6	.49	12.5	1	25.4	7/16	11.1	950	60
1/2	12	1-1/8	28.6	.49	12.5	1	25.4	7/16	11.1	950	55



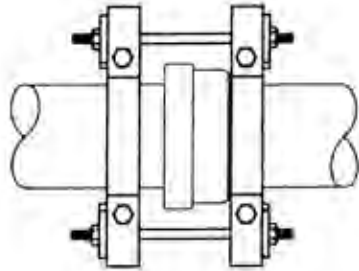
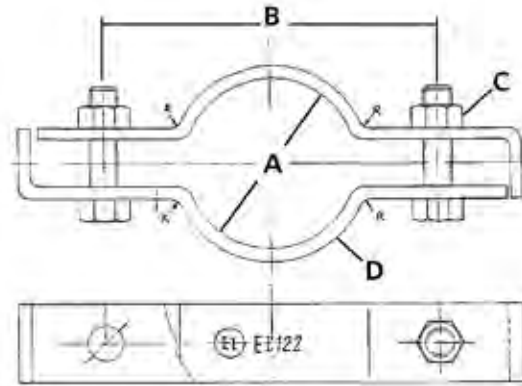
FIRE PROTECTION & WATERWORKS HANGERS

A 122 Underground Bell Clamp for Ductile Iron Pipe

Material: Carbon Steel

Application: Used as a safety device on a bell and spigot, or mechanical joint cast iron pipe where reversal stoppage or change in direction flow necessitates reinforcement. Two square plate washers supplied with each clamp.

Ordering: Specify figure number and pipe size.



These clamps are all sized to accommodate Ductile Iron Pipe only.

A 122 UNDERGROUND BELL CLAMP FOR DUCTILE IRON PIPE

Size	A		B		C		D		Box Qty	
	mm	Pipe O.D.	mm	mm	mm	mm	mm			
4	102	4.80	121.90	7-7/8	200	5/8	16	3/8x1-1/2	10x38	Bulk
6	152	6.90	175.30	10	256	5/8	16	3/8x1-1/2	10x38	Bulk
8	203	9.05	229.90	13	328	3/4	19	3/8x2	10x50	Bulk
10	254	11.10	281.90	15-7/8	382	3/4	19	1/2x2	12x50	Bulk
12	305	13.20	335.30	17-5/16	440	3/4	19	1/2x2	12x50	Bulk
14	356	15.30	388.60	19-11/16	500	7/8	22	5/8x3	16x76	Bulk
16	406	17.40	442.00	21-1/4	540	7/8	22	5/8x4	16x100	Bulk
18	457	19.50	495.30	23-5/8	600	1	25	5/8x4	16x100	Bulk



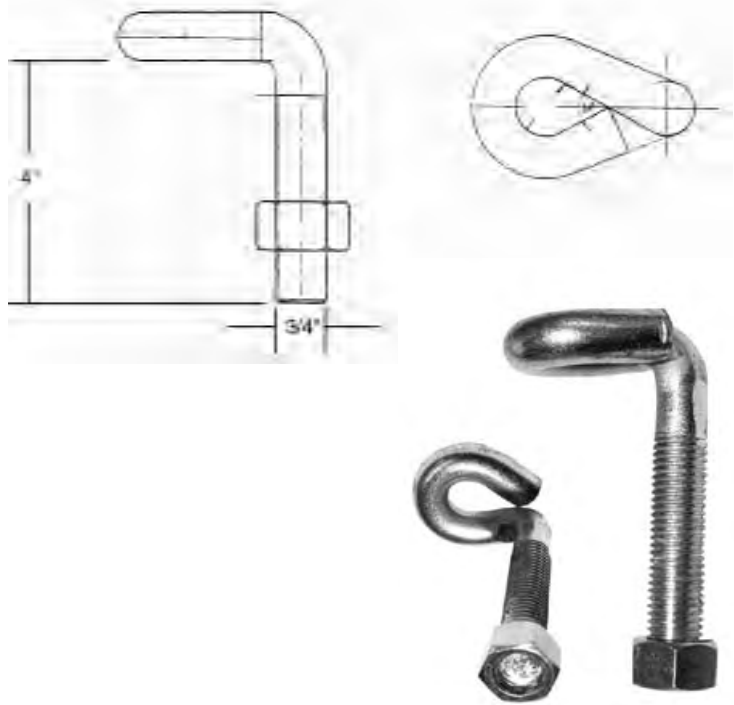
FIRE PROTECTION & WATERWORKS HANGERS

A 126 Hook Tie Bolt for Waterworks Fittings & Flanges

Material: Zinc Plated Carbon Steel Wire

Application: Designed for use with AWWA Fittings, Flanges. Where a secured tight connection on Ductile Iron pipe is required for a water main service.

Ordering: Specify part number.



A 126 HOOK TIE BOLT FOR WATERWORKS FITTINGS & FLANGES

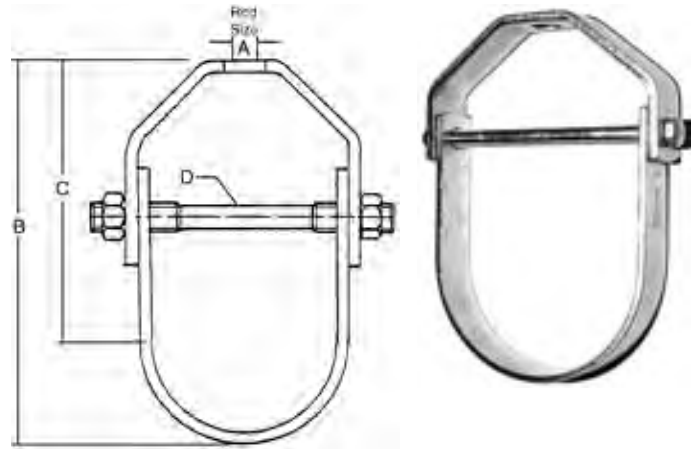
Size		"A"	
	mm		mm
4	102	3/4	19



FIRE PROTECTION & WATERWORKS HANGERS

A 920 Clevis Hanger for Ductile Iron Pipe

Material:	Carbon steel
Finish:	Standard finish bare metal. Also available Zinc plated, or hot dipped galvanized.
Service:	Designed for suspending stationary ductile iron and allowing for vertical adjustment.
Ordering:	Specify figure number and pipe size.



A920 CLEVIS HANGER FOR DUCTILE IRON PIPE

SIZE	PIPE O.D.		A		B		C		D		Upper Material		Lower Material		Max Rec Load		
	mm	mm	mm	mm	mm	mm	mm	mm	mm	mm	mm	mm	mm	lbs.	kg		
4	102	4.80	122	5/8	16	8	203	5-3/8	137	1/2	13	1/4x1-1/4	6x32	3/16x1-1/4	4.5x32	1430	650
6	152	6.90	175	3/4	19	10-3/8	263	7	180	1/2	13	1/4x1-1/2	6x38	3/16x1-1/2	4.5x38	1940	882
8	203	9.05	230	7/8	22	13	329	8-1/4	209	5/8	16	3/8x1-1/2	10x38	1/4x1-1/2	6x38	2000	909
10	254	11.10	282	7/8	22	15-3/8	392	9-13/16	250	3/4	19	3/8x2	10x50	1/4x2	6x50	3600	1636





INDUSTRIAL HANGERS & CLAMPS

Pipe hangers and clamps offered in this section are designed for support and attachment of pipe to structural members. Roller hangers are designed to compensate for longitudinal movement due to the expansion and contraction of both insulated and non insulated (lower).

Material: Carbon steel is used in the manufacturing of regular pipe clamps in this section.

Finishes: All standard hangers available in this section are available in a standard black finish. Zinc plating, and hot dipped galvanized finishes are also available. Clamps in this section can also be either painted with a primer finish or can be completely painted to your exact specifications.

Approvals: As noted on each design these hangers are manufactured to a MSS SP - 69 standard.

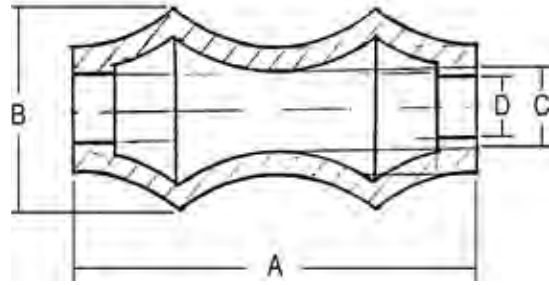
INDUSTRIAL HANGERS & CLAMPS

A 320 Pipe Roller

Material: Cast Iron

Application: Designed for supporting pipe runs with longitudinal movement also a steel rod axle must be used with this pipe roller.

Ordering: Specify figure number and pipe size required.



A 320 PIPE ROLLER

Size	A		B		C		D		
	mm	mm	mm	mm	mm	mm	mm	mm	
1-1/4-1-1/2	32-38	3	76	1-1/4	32	3/4	19	7/16	11
2-2-1/2	50-64	3-1/4	83	1-3/8	35	7/8	22	9/16	14
3	76	3-7/8	98	1-1/2	38	1	25	9/16	14
3-1/2-4	89-102	5	124	1-3/4	45	1	25	21/32	17
5	127	5-7/8	150	2	51	1-5/32	29	21/32	17
6	152	6-7/8	175	2-1/4	57	1-1/4	32	7/8	21
8	203	8-7/8	225	2-5/8	67	1-1/2	38	1	24
10	254	11	279	3-3/8	86	1-3/4	45	1	24
12	305	12-3/4	324	3-7/8	99	2	51	1	24
14	356	14-3/8	365	4-5/8	118	2-3/4	70	1-7/32	31
16	406	16-5/32	410	4-3/4	121	2-15/16	75	1-11/32	34
18	457	18-1/4	464	5-3/4	146	3-3/4	95	1-11/32	34
20	508	20-5/8	524	6	153	3-15/16	100	1-1/2	37
24	610	24-3/4	629	7	178	4	102	1-9/16	40



INDUSTRIAL HANGERS & CLAMPS

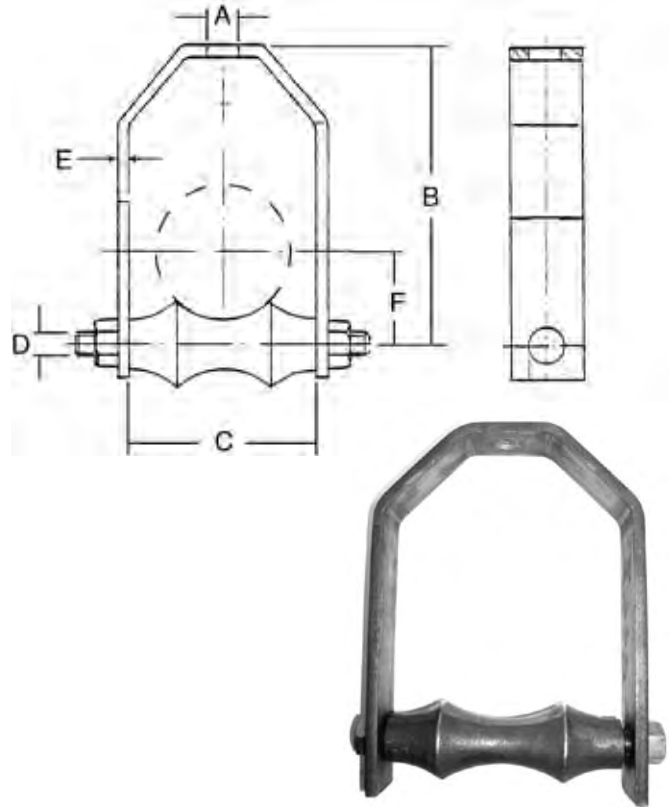
A 466 Standard Roller Hanger

Material: Carbon Steel body, cast iron roller.

Application: Designed for suspending pipe where longitudinal movement and vertical adjustment is required. When this hanger is used with insulation a pipe protection saddle must be used.

Ordering: Specify figure number and pipe size. **When insulation is being used take diameter of pipe, plus two times the insulation thickness to arrive at actual size required.**

Approvals: Complies with Manufacturers' Standardization Society SP - 69 Type 43.



A 466 STANDARD ROLLER HANGER

SIZE	A		B		C		D		E		F		Max Rec Load	
	mm	mm	mm	mm	mm	mm	mm	mm	mm	mm	mm			
1-1/2	38	1/2	13	5-1/4	133	3	77	3/8	10	3/16x1-1/4	5x32	1-3/8	34	250
2	50	1/2	13	5-1/4	133	3-1/4	82	1/2	13	3/16x1-1/4	5x32	1-5/8	41	280
2-1/2	64	1/2	13	5-1/4	146	3-1/4	82	1/2	13	3/16x1-1/4	5x32	1-7/8	47	225
3	76	1/2	13	5-3/4	162	3-7/8	98	1/2	13	5/16x1-1/4	5x32	2-1/8	53	310
3-1/2	89	5/8	16	7-1/4	178	4-15/16	122	5/8	16	1/4x1/2	6x38	2-9/16	64	390
4	102	5/8	16	7-1/4	192	4-15/16	125	5/8	16	1/4x1/2	6x38	2-13/16	70	475
5	127	5/8	16	9-3/16	232	6	152	5/8	16	1/4x2	10x45	3-7/16	87	600
6	152	3/4	19	11	232	7	181	3/4	19	1/4x2	10x50	4	102	780
8	203	7/8	22	12-5/8	322	9	235	7/8	22	3/8x2-1/2	10x63	5-1/8	130	780
10	254	7/8	22	14-7/8	382	11-9/64	285	7/8	22	1/2x2	10x63	6-3/8	162	965
12	305	7/8	22	17-1/2	443	13	336	7/8	22	1/2x2	12x63	7-7/16	189	1,200
14	356	1	25	19-3/4	479	14-1/2	368	1-1/8	29	1/2x2-1/2	12x63	8-3/8	213	1,200
16	406	1	25	20-1/2	528	16-1/2	419	1-1/4	32	1/2x3	12x63	9-3/8	238	1,200
18	457	1	25	23	580	18-1/2	466	1-1/4	32	1/2x3	12x76	10-1/2	267	1,400
20	508	1-1/4	32	25-3/8	660	20-3/4	525	1-3/8	35	5/8x3	16x76	11-5/8	295	1,600
24	610	1-1/2	38	29-1/2	740	24-13/16	635	1-1/2	38	5/8x4	16x102	13-7/8	352	1,800



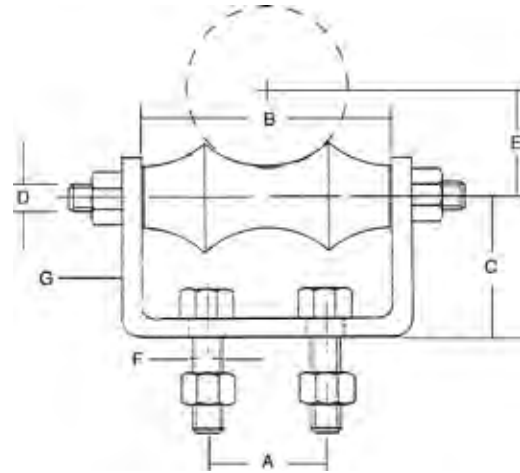
INDUSTRIAL HANGERS & CLAMPS

A 469 Standard Roller Chair

Material: Carbon Steel body, cast iron roller.

Application: Designed for supporting pipe with longitudinal movement. When this hanger is used with insulation a pipe protection saddle must be used.

Ordering: Specify figure number and pipe size. **When insulation is being used take diameter of pipe, plus two times the insulation thickness to arrive at actual size required.**



A 469 STANDARD ROLLER CHAIR

SIZE	A		B		C		D		E		F		G		Max Rec Load	
	mm	mm	mm	mm	mm	mm	mm	mm	mm	mm	mm	mm	mm			
1-1/2	38	1-1/2	38	3	76	1-1/2	38	3/8	10	1-3/8	34	3/8x1-1/2	10x38	1/4x1-1/4	6x32	390
2	50	1-1/2	38	3	82	1-3/4	44	1/2	13	1-5/8	40	3/8x1-1/2	10x38	1/4x1-1/4	6x32	390
2-1/2	64	1-1/2	38	3	82	1-3/4	44	1/2	13	1-7/8	47	3/8x1-1/2	10x38	1/4x1-1/4	6x32	390
3	76	2	50	3-7/8	99	1-3/4	44	1/2	13	2-1/8	53	3/8x1-1/2	10x38	1/4x1-1/4	6x32	390
3-1/2	89	2-1/2	64	4-7/8	126	2-1/2	64	5/8	16	2-9/16	64	1/2x1-1/2	13x38	3/8x1-1/2	10x38	390
4	102	2-1/2	64	4-7/8	126	2-1/2	64	5/8	16	2-13/16	70	1/2x1-1/2	13x38	3/8x1-1/2	10x38	950
5	127	3	76	6	152	2-1/2	64	5/8	16	3-7/16	87	1/2x1-1/2	13x38	3/8x1-1/2	10x38	950
6	152	3	76	7	178	2-3/4	70	3/4	19	4	102	1/2x1-1/2	13x38	3/8x2	10x50	950
8	203	3-1/2	88	9	229	3-3/4	95	7/8	22	5-1/8	130	5/8x1-1/2	16x38	3/8x2	10x50	2,100
10	254	5-1/4	133	11-1/8	283	4-1/8	105	7/8	22	6-3/8	162	5/8x2	16x50	1/2x2	12x50	2,100
12	305	5-1/2	140	13	330	4-3/8	111	7/8	22	7-7/16	189	5/8x2	16x50	1/2x2	12x50	2,400
14	356	6-1/2	165	14-1/2	368	5-1/4	133	1-1/8	28	8-3/8	213	3/4x2	19x50	1/2x2-1/2	12x64	3,130
16	406	8-1/4	210	16-1/2	419	5-5/8	143	1-1/4	32	9-3/8	238	3/4x2-1/2	19x64	1/2x3	12x76	3,970
18	457	9-1/4	235	18-1/2	470	6-3/4	171	1-1/4	32	10-1/2	267	3/4x2-1/2	19x64	1/2x3	12x76	4,200
20	508	10-1/4	260	20-3/4	552	7	178	1-3/8	34	11-5/8	295	3/4x2-1/2	19x64	1/2x3	12x76	4,550
24	610	12-1/4	310	24-3/4	629	7-7/8	200	1-1/2	38	13-7/8	352	7/8x3	22x76	5/8x4	16x102	6,160



INDUSTRIAL HANGERS & CLAMPS

A 494 Single Pipe Roll

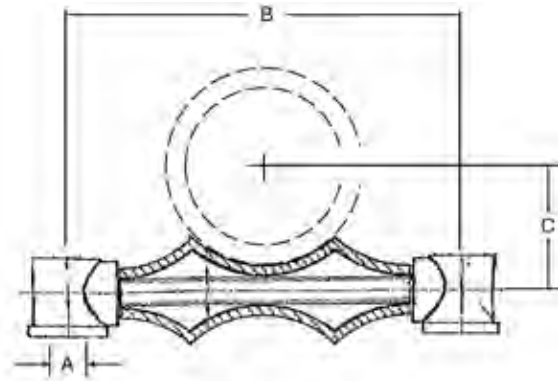
Material: Steel axle, cast iron roller, malleable iron socket ends

Finish: Standard finish is bare metal, Zinc plated, hot dipped galvanized are also available

Service: Designed for suspending piping where longitudinal movement and vertical adjustment is required. Threaded rods sold separately.

Approvals: Complies with Manufacturers Standardization Society SP - 69 Type 41

Ordering: Specify part number, pipe size, insulation thickness and finish.



A 494 SINGLE PIPE ROLL

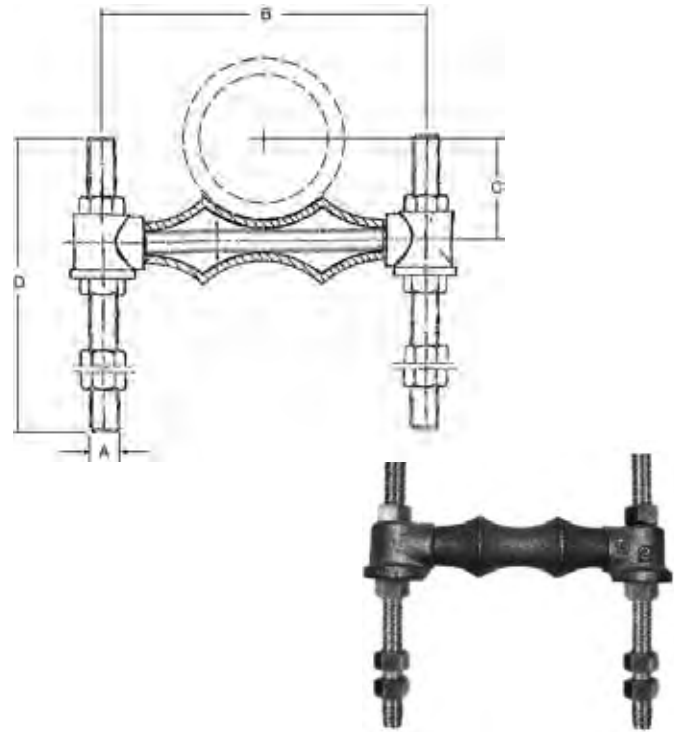
Pipe Socket				A		B		C		Max Rec Loads	
Size	mm	Size		mm	mm	mm		mm	lbs.	kg	
1	25	1	3/8	10	4-1/2	114	1-1/16	27	600	270	
1-1/4	32	1	3/8	10	4-1/2	114	1-1/4	32	600	270	
1-1/2	38	1	3/8	10	4-1/2	114	1-3/8	35	600	270	
2	50	2	1/2	13	5-1/4	133	1-5/8	41	600	270	
2-1/2	64	2	1/2	13	5-1/4	133	1-7/8	47	660	270	
3	76	2	1/2	13	5-3/4	146	2-1/8	53	700	315	
3-1/2	89	3	5/8	16	7-3/8	187	2-9/16	65	750	338	
4	102	3	5/8	16	7-3/8	187	2-13/16	71	750	338	
5	127	3	5/8	16	8-3/8	213	3-7/16	87	750	338	
6	152	4	3/4	19	9-1/2	241	4	102	1070	482	
8	203	5	7/8	22	11-7/8	301	5-1/8	130	1350	608	
10	254	5	7/8	22	13-7/8	353	6-3/8	162	1730	779	
12	305	5	7/8	22	15-3/4	400	7-7/16	189	2400	1080	
14	356	6	1	25	17-5/8	448	8-3/8	213	3130	1409	
16	406	7	1	25	20	508	9-3/8	236	3970	1787	
18	457	7	1	25	22	558	10-1/2	267	4200	1890	
20	508	8	1-1/4	32	24-5/8	626	11-5/8	295	4550	2048	
24	610	9	1-1/2	38	29-5/8	752	13-7/8	352	6160	2800	



INDUSTRIAL HANGERS & CLAMPS

A 497 Adjustable Pipe Roller Support

- Material:** Steel axle cast iron roller, malleable iron socket ends
- Finish:** Standard finish is bare metal, Zinc plated and hot dipped galvanized are also available.
- Service:** Designed for suspending piping where longitudinal movement and vertical adjustment is required. Threaded rod ordered separately.
- Ordering:** Specify part number, pipe size, insulation thickness and finish.



A 497 ADJUSTABLE PIPE ROLL SUPPORT

Pipe Socket		Socket	A		B		C		D		Max Rec Loads	
Size	mm	Size		mm		mm		mm		mm	lbs.	kg
1	25	#1	3/8	10	4-1/2	114	1-1/16	27	12	305	600	270
1-1/4	32	#1	3/8	10	4-1/2	114	1-1/4	32	12	305	600	270
1-1/2	38	#1	3/8	10	4-1/2	114	1-3/8	35	12	305	600	270
2	50	#2	1/2	13	5-1/4	133	1-5/8	41	12	305	600	270
2-1/2	64	#2	1/2	13	5-1/4	133	1-7/8	47	12	305	660	270
3	76	#2	1/2	13	5-3/4	146	2-1/8	53	12	305	700	315
3-1/2	89	#3	5/8	16	7-3/8	187	2-9/16	65	12	305	750	338
4	102	#3	5/8	16	7-3/8	187	2-13/16	71	12	305	750	338
5	127	#3	5/8	16	8-3/8	213	3-7/16	87	12	305	750	338
6	152	#4	3/4	19	9-1/2	241	4	102	12	305	1070	482
8	203	#5	7/8	22	11-7/8	301	5-1/8	130	12	305	1350	608
10	254	#5	7/8	22	13-7/8	353	6-3/8	162	12	305	1730	779
12	305	#5	7/8	22	15-3/4	400	7-7/16	189	12	305	2400	1080
14	356	#6	1	25	17-5/8	448	8-3/8	213	12	305	3130	1409
16	406	#7	1	25	20	508	9-3/8	236	18	457	3970	1787
18	457	#7	1	25	22	558	10-1/2	258	18	457	4200	1890
20	508	#8	1-1/4	32	24-5/8	626	11-5/8	295	18	457	4550	2048
24	610	#9	1-1/2	38	29-5/8	752	13-7/8	352	24	610	6160	2800



INDUSTRIAL HANGERS & CLAMPS

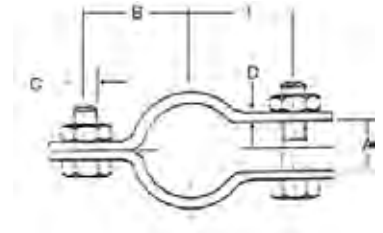
A 125 Standard 2-Bolt Pipe Clamp

Material : Zinc Plated Carbon Steel Sizes 1/2" thru 36". Also available in 316 Stainless Steel and Galvanized as well.

Application : Used to suspend non-insulated industrial pipe lines. Also used with A 344 Weldless eye nut. Eye nut allows movement of the pipe in a horizontal direction. Should not be used as a standard riser clamp

Ordering : Specify pipe size, figure number, and material.

Approvals : Complies with Manufacturers Standardization Society SP – 69 (Type 4)



A 125 STANDARD 2-BOLT PIPE CLAMP

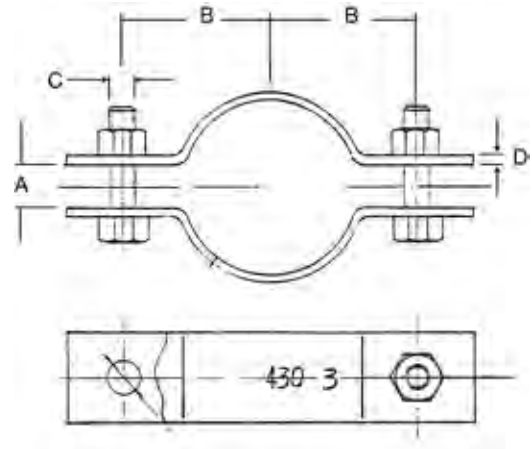
SIZE	"A"		"B"		"C"		"D"		Max Rec Load		
	mm	mm	mm	mm	mm	mm	mm	mm			
1/2	13	5/8	16	2-1/2	64	5/16	8	1/8x1	3x25	500	450
3/4	19	5/8	16	2-5/8	66	5/16	8	1/8x1	3x25	500	450
1	25	5/8	16	2-15/16	74	5/16	8	1/8x1	3x25	500	450
1-1/4	32	5/8	16	2-1/4	82	5/16	8	1/8x1	3x25	500	450
1-1/2	38	7/8	22	2-3/4	96	5/16	8	1/8x1	3x25	1050	750
2	50	7/8	22	4-1/2	114	1/2	13	1/4x1	6x25	1050	940
2-1/2	64	7/8	22	5	128	1/2	13	1/4x1	6x25	1050	940
3	76	7/8	22	6	152	1/2	13	1/4x1	6x25	1050	940
3-1/2	89	7/8	22	6-5/32	156	1/2	13	1/4x1	6x25	1050	940
4	102	7/8	22	6-5/8	168	5/8	16	1/4x1-1/4	6x32	1050	940
5	127	7/8	22	8-3/16	206	5/8	16	1/4x1-1/4	6x32	1050	940
6	152	7/8	22	10-1/4	260	3/4	19	3/8x1-1/2	10x38	1,620	1,440
8	203	1	25	12-1/2	318	3/4	19	3/8x1-1/2	10x38	1,620	1,440
10	254	1	25	15	382	7/8	22	1/2x2	12x50	2,500	2,230
12	305	1	25	16-3/4	426	7/8	22	1/2x2	12x50	2,500	2,230
14	356	1-1/8	28	18	458	7/8	22	1/2x2-1/2	12x64	2,500	2,230
16	406	1-1/4	32	20-1/2	520	7/8	22	1/2x2-1/2	12x64	2,500	2,230
18	457	1-1/4	32	24	610	7/8	22	5/8x2-1/2	16x64	3,050	2,720
20	508	1-3/8	35	25-1/2	648	1-1/4	32	5/8x3	16x76	3,050	2,720
24	610	1-5/8	41	32-1/4	820	1-1/4	32	5/8x3	16x76	3,050	2,720
30	762	2	50	36-9/16	928	1-1/2	38	3/4x4	19x102	3,050	2,720
36	914	2	50	44-1/2	1130	1-1/2	38	3/4x5	19x127	3,500	3,360



INDUSTRIAL HANGERS & CLAMPS

A 430 Heavy Duty 2-Bolt Pipe Clamp

Material:	Carbon Steel
Application:	Designed for suspending non-insulated heavy duty pipe runs. Also to be used with a weldless eye nut and a welded eye rod.
Ordering:	Specify figure number and pipe size.
Approvals:	Complies with Manufacturers' Standardization Society SP - 69 Type 4.



A 430 HEAVY DUTY 2-BOLT PIPE CLAMP

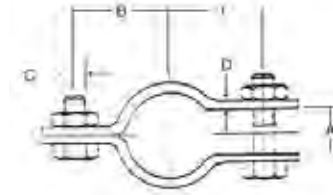
Size	A		B		C		D		Max Rec Load		Box Qty	
	mm	mm	mm	mm	mm	mm	mm	mm	650°F	750°F		
3	76	1	25	3-1/4	83	3/4	19	1/4x1-1/2	6x38	3,370	3,005	Bulk
4	102	1	25	3-5/8	92	7/8	22	3/8x2	10x50	3,515	3,135	Bulk
5	127	1	25	4-5/8	117	7/8	22	3/8x2-1/2	10x64	3,515	3,135	Bulk
6	152	1	25	5-1/2	140	1	25	1/2x2-1/2	13x64	4,865	4,350	Bulk
8	203	1-1/8	29	7-1/8	181	1	25	1/2x2-1/2	13x64	4,865	4,340	Bulk
10	254	1-1/4	32	7-7/8	200	1-1/4	32	5/8x2-1/2	16x64	6,010	5,360	Bulk
12	305	1-11/16	42	10-1/8	257	1-1/2	38	3/4x3	18x76	8,675	7,740	Bulk
14	356	1-11/16	42	10-1/2	267	1-1/2	38	3/4x4	18x100	9,120	8,135	Bulk
16	406	1-11/16	42	11-5/8	295	1-1/2	38	3/4x4	18x100	9,120	8,135	Bulk
18	457	1-11/16	42	12-3/4	324	1-1/2	38	3/4x6	18x152	13,800	-	Bulk
20	508	1-11/16	42	14-1/4	362	1-1/2	38	1x6	25x152	15,300	-	Bulk
24	610	3-1/4	83	17-1/2	445	2-1/4	57	1x6	25x152	16,300	-	Bulk



INDUSTRIAL HANGERS & CLAMPS

A 125SS Standard 2-Bolt Pipe Clamp Stainless Steel

- Material:** 316-L Stainless Steel
- Application:** Used to suspend non insulated industrial stainless steel pipe lines. Also used with A 344 Weldless eye nut. Eye nut allows movement of the pipe in a horizontal direction.
- Ordering:** Specify pipe size, figure number, and material.
- Approvals:** Complies with Manufacturers Standardization Society SP – 69 Type 4



A 125SS STANDARD 2-BOLT PIPE CLAMP

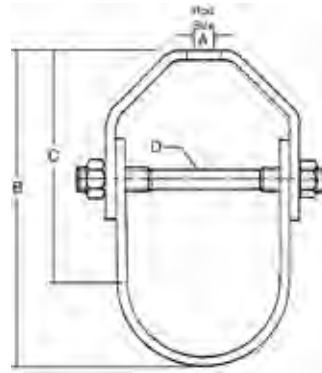
SIZE	"A"		"B"		"C"		"D"		Max Rec Load		
	mm	mm	mm	mm	mm	mm	mm	mm	650°F	750°F1	
1/2	13	5/8	16	2-1/2	64	5/16	8	1/8x1	3x25	500	450
3/4	19	5/8	16	2-5/8	66	5/16	8	1/8x1	3x25	500	450
1	25	5/8	16	2-15/16	74	5/16	8	1/8x1	3x25	500	450
1-1/4	32	5/8	16	2-1/4	82	5/16	8	1/8x1	3x25	500	450
1-1/2	38	7/8	22	2-3/4	96	5/16	8	1/8x1	3x25	1050	750
2	50	7/8	22	4-1/2	114	1/2	13	1/4x1	6x25	1050	940
2-1/2	64	7/8	22	5	128	1/2	13	1/4x1	6x25	1050	940
3	76	7/8	22	6	152	1/2	13	1/4x1	6x25	1050	940
3-1/2	89	7/8	22	6-5/32	156	1/2	13	1/4x1	6x25	1050	940
4	102	7/8	22	6-5/8	168	5/8	16	1/4x1-1/4	6x32	1050	940
5	127	7/8	22	8-3/16	206	5/8	16	1/4x1-1/4	6x32	1050	940
6	152	7/8	22	10-1/4	260	3/4	19	3/8x1-1/2	10x38	1,620	1,440
8	203	1	25	12-1/2	318	3/4	19	3/8x1-1/2	10x38	1,620	1,440
10	254	1	25	15	382	7/8	22	1/2x2	12x50	2,500	2,230
12	305	1	25	16-3/4	426	7/8	22	1/2x2	12x50	2,500	2,230
14	356	1-1/8	28	18	458	7/8	22	1/2x2-1/2	12x64	2,500	2,230
16	406	1-1/4	32	20-1/2	520	7/8	22	1/2x2-1/2	12x64	2,500	2,230
18	457	1-1/4	32	24	610	7/8	22	5/8x2-1/2	16x64	3,050	2,720
20	508	1-3/8	35	25-1/2	648	1-1/4	32	5/8x3	16x76	3,050	2,720
24	610	1-5/8	41	32-1/4	820	1-1/4	32	5/8x3	16x76	3,050	2,720
30	762	2	50	36-9/16	928	1-1/2	38	3/4x4	19x102	3,050	2,720
36	914	2	50	44-1/2	1130	1-1/2	38	3/4x5	19x127	3,500	3,360



INDUSTRIAL HANGERS & CLAMPS

A 235SS Stainless Steel Standard Clevis Hanger

Material:	316 Stainless steel.
Application:	Designed for suspending non insulated stationary stainless steel pipe, allowing for vertical adjustment.
Ordering:	Specify pipe size and figure number.
Approvals:	Complies with Manufacturers Standardization Society SP – 69 Type 1



A 235SS STAINLESS STEEL STANDARD CLEVIS HANGER

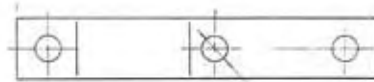
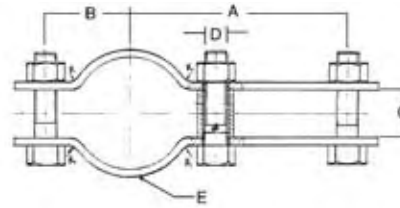
SIZE	"A"		"B"		"C"		"D"		Lower Material		Upper Material		Max Rec Load	
	mm	mm	mm	mm	mm	mm	mm	mm	mm	mm	mm			
1/2	13	3/8	10	2-3/8	73	2-13/32	61	1/4	6	1/8x1	3x25	1/8x1	3x25	300
3/4	19	3/8	10	3-5/32	80	2-9/16	65	1/4	6	1/8x1	3x25	1/8x1	3x25	300
1	25	3/8	10	3-3/8	86	2-21/32	68	1/4	6	1/8x1	3x25	1/8x1	3x25	300
1-1/4	32	3/8	10	3-3/4	95	2--3/4	70	1/4	6	1/8x1	3x25	1/8x1	3x25	610
1-1/2	38	3/8	10	4-1/16	103	2-7/8	73	1/4	6	1/8x1	3x25	1/8x1	3x25	610
2	50	3/8	10	4-1/2	114	3-1/4	82	1/4	6	1/8x1	3x25	1/8x1	3x25	610
2-1/2	64	1/2	13	5-1/2	140	4-1/16	103	3/8	10	3/16x1-3/16	4.5x30	3/16x1-3/16	4.5x30	1,130
3	76	1/2	13	6-1/8	155	4-5/16	110	3/8	10	3/16x1-3/16	4.5x30	3/16x1-3/16	4.5x30	1,350
3-1/2	89	1/2	13	6-3/4	171	4-3/4	120	3/8	10	3/16x1-3/16	4.5x30	3/16x1-3/16	4.5x30	1,350
4	102	5/8	16	7-5/8	193	5-5/16	135	3/8	10	3/16x1-3/16	4.5x30	1/4x1-3/16	6x30	1,430
5	127	5/8	16	8-7/8	225	6-1/16	154	1/2	13	3/16x1-3/16	4.5x30	1/4x1-3/16	6x30	1,430
6	152	3/4	19	10	254	6-5/8	169	1/2	13	3/16x1-1/2	4.5x38	1/4x1-1/2	6x38	1,940
8	203	3/4	19	12-3/4	324	8-3/8	213	5/8	16	3/16x1-1/2	4.5x38	1/4x1-1/2	6x38	2,000
10	254	7/8	22	16-5/8	423	11-11/16	297	3/4	19	1/4x2	6x50	5/16x2	8x50	3,600
12	305	7/8	22	18-11/16	475	12-1/4	312	3/4	19	1/4x2	6x50	5/16x2	8x50	3,800
14	356	1	25	20-5/16	516	13-15/16	354	7/8	22	1/4x2	6x50	15/32x2	12x50	4,200
16	406	1	25	22-1/16	560	14	355	1	25	1/4x2-1/2	6x63	15/32x2-1/2	12x63	4,600
18	457	1	25	24-3/4	628	15-11/16	398	1-1/8	28	1/4x2-1/2	6x63	15/32x2-1/2	12x63	4,800
20	508	1-1/4	32	27-3/8	695	17-5/16	440	1-1/4	32	5/16x3	8x76	5/8x3	16x76	4,800
24	610	1-1/4	32	31-5/8	803	19-9/16	497	1-1/4	32	5/16x3	8x76	5/8x3	16x76	4,800



INDUSTRIAL HANGERS & CLAMPS

A56 3-Bolt Light Duty Pipe Clamp

- Material:** Carbon Steel
- Application:** Designed for suspending high temperature maximum (750 *) pipe runs requiring insulation.
- Ordering:** Specify figure number and pipe size.
- Approvals:** Complies with Manufacturers Standardization Society SP-69 Type 3.



A56 3-BOLT LIGHT DUTY PIPE CLAMP

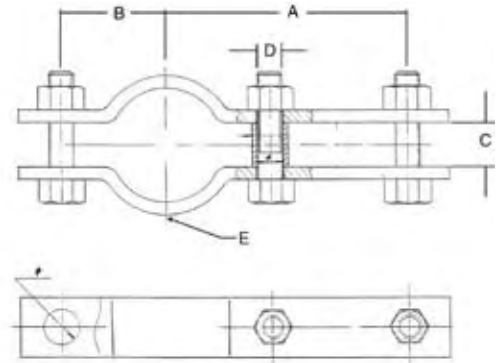
SIZE	A		B		C		D		E		Box Qty	
	mm	mm	mm	mm	mm	mm	mm	mm	mm			
1/2	13	3-1/2	89	1-9/64	29	3/8	10	3/8x13/16	3/8x30	1/8x1	3x25	10
3/4	19	3-1/4	85	1-5/8	41	5/8	16	3/8x1-3/8	3/8x35	1/8x1	3x25	10
1	25	3-9/16	90	1-3/8	35	5/8	16	3/8x1-3/8	3/8x35	1/8x1	3x25	10
1-1/4	32	4-3/32	95	2	50	3/4	19	3/8x1-9/16	3/8x40	9/64x1	3.5x25	10
1-1/2	38	4-3/8	111	2	50	7/8	22	3/8x2	3/8x50	9/64x1	3.5x25	10
2	50	5-5/6	135	2-5/16	59	1	25	1/2x2-3/16	1/2x55	1/4x1	6x25	10
2-1/2	64	5-11/16	145	2-9/16	65	1	25	1/2x2-3/16	1/2x55	1/4x1	6x25	10
3	76	6-1/16	152	2-13/16	72	1	25	1/2x2-3/16	1/2x55	1/4x1	6x25	5
4	102	6-1/2	166	3-3/8	86	1	25	5/8x2-3/8	5/8x60	1/4x1-1/4	6x32	Bulk
5	127	7	178	4	102	1	25	5/8x2-3/8	5/8x60	1/4x1-1/4	6x32	Bulk
6	152	8-1/16	205	4-1/2	115	1-1/2	38	3/4x3-5/32	3/4x80	3/8x1-1/2	10x38	Bulk
8	203	9-13/16	250	6-5/16	160	1-1/2	38	3/4x3-5/32	3/4x80	3/8x1-1/2	10x38	Bulk
10	254	11-13/32	290	7-11/16	195	1-1/2	38	7/8x3-9/16	7/8x90	15/32x2	12x50	Bulk
12	305	12-23/32	322	8-11/16	220	1-1/2	38	7/8x3-9/16	7/8x90	15/32x2	12x50	Bulk
14	356	14	355	9-15/16	252	2	50	7/8x3-15/16	7/8x100	15/32x2-1/2	12x64	Bulk
16	406	13-3/4	349	10	254	2	50	7/8x3-15/16	7/8x100	15/32x2-1/2	12x64	Bulk
18	457	14-11/16	381	11-1/4	286	2	50	1x4-5/16	1x110	5/8x2-1/2	16x64	Bulk
20	508	15-5/8	413	12-1/2	318	2	50	1-1/8x4-1/2	1-1/8x115	5/8x3	16x76	Bulk
24	610	18	470	14-3/4	375	2	50	1-1/4x4-1/2	1-1/4x115	5/8x3	16x76	Bulk



INDUSTRIAL HANGERS & CLAMPS

A 62 Std. 3-Bolt Pipe Clamp

Material:	Carbon Steel
Application:	Designed for suspending heavy-duty, high-temperature pipe runs with up to 4" thick insulation.
Ordering:	Specify part number, insulation thickness, and pipe size.
Approvals:	Complies with Manufacturers' Standardization Society SP-69 Type 3.



A 62 STD 3-BOLT PIPE CLAMP

SIZE	A	B	C	D	E	Max mm	Max Rec Load	
	mm	mm	mm	mm	mm		650°F	750°F
1/2	13	89	33	16	3/8x30	4x30	950	850
3/4	19	89	35	16	3/8x40	5x32	950	850
1	25	89	35	16	3/8x40	5x32	950	850
1-1/4	32	95	44	16	1/2x45	5x32	1,540	940
1-1/2	38	105	55	26	5/8x60	5x32	1,540	1,380
2	50	130	60	26	5/8x60	6x32	1,540	1,380
2-1/2	64	145	65	26	5/8x60	6x32	1,540	1,380
3	76	155	75	26	5/8x60	6x32	1,540	1,380
4	102	180	100	26	3/4x70	10x50	2,500	2,230
5	127	178	102	26	3/4x70	10x50	2,500	2,230
6	152	225	130	38	7/8x90	10x64	2,860	2,550
8	203	255	155	38	7/8x90	10x64	2,860	2,550
10	254	290	195	38	1x100	12x64	3,240	2,900
12	305	310	210	38	1x100	12x64	3,240	2,900
14	356	350	240	51	1-1/4x110	16x76	4,300	3,850
16	406	348	254	51	1-1/4x120	16x76	4,300	3,850
18	457	374	280	51	1-1/4x120	16x76	4,300	3,850
20	508	403	314	51	1-3/8x135	18x76	5,500	4,900
24	610	454	365	51	1-3/8x135	18x76	6,000	5,350



INDUSTRIAL HANGERS & CLAMPS

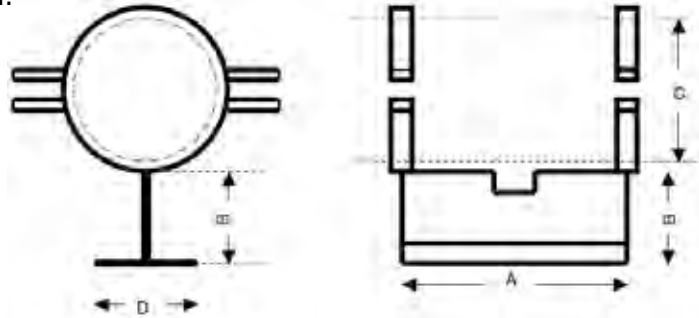
A 900 Pipe Shoe

Materials: Structural steel beam, Prime coated, and A 125 2 Bolt pipe clamp.

Finish: Prime coated

Application: For the Support of piping with longitudinal movement resulting from expansion & contraction. Maximum temp. range 750°F.

Ordering: Specify pipe size & figure number.



A-900 Pipe Shoe

SIZE	A		B		C		D		
	MM	MM	MM	MM	MM	MM	MM		
2	50	12	305	4	102	2-3/8	60.30	4	102
3	76	12	305	4	102	3-1/2	88.90	4	102
4	102	12	305	4	102	4-1/2	114.30	4	102
6	152	12	305	4	102	6-5/8	168.30	4	102
8	203	12	305	4	102	8-5/8	219.10	4	102
10	250	12	305	4	102	10-3/4	273.00	4	102



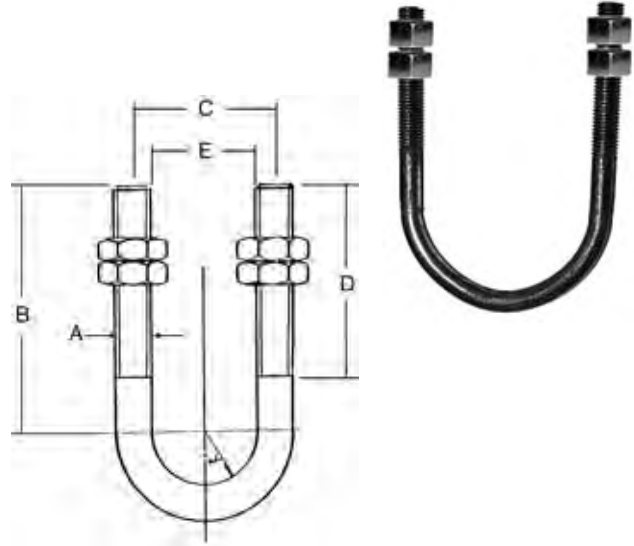
INDUSTRIAL HANGERS & CLAMPS

A 475 Standard U-Bolts Black

Material: Carbon Steel Wire

Application: Designed as a support, guide, or an anchor for pipe Comes complete with 4 hex nuts.

Ordering: Specify figure number and pipe size.



A 475 STANDARD U BOLTS BLACK

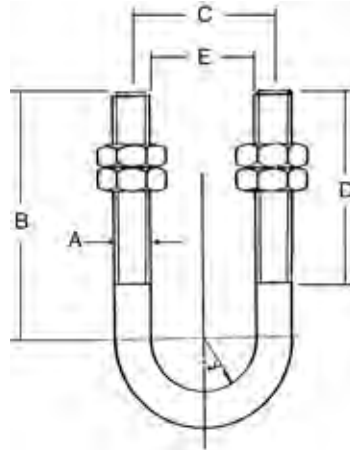
SIZE		"A"		"B"		"C"		"D"		Max Rec Load		Box Qty
	mm		mm		mm		mm		mm	650°F	750°F	
1/2	13	3/8	10	2-3/8	60	15/16	24	2	50	1,220	1,090	50
3/4	19	3/8	10	2-1/2	64	1-1/8	29	2	50	1,220	1,090	50
1	25	3/8	10	2-3/4	70	1-3/8	35	2	50	1,220	1,090	50
1-1/4	32	3/8	10	2-7/8	73	1-3/4	44	2-1/2	64	1,229	1,090	50
1-1/2	38	3/8	10	3	76	2	50	2-1/2	64	1,229	1,090	50
2	50	3/8	10	3-5/16	84	2-7/16	62	2-1/2	64	1,229	1,090	50
2-1/2	64	1/2	13	3-13/16	97	2-15/16	75	3	76	2,260	2,020	25
3	76	1/2	13	4	102	3-9/16	91	3	76	2,260	2,020	25
3-1/2	89	1/2	13	4-1/4	108	4-1/16	103	3	76	2,260	2,020	20
4	102	1/2	13	4-1/2	114	4-9/16	116	3	76	2,260	2,020	20
5	127	1/2	13	5	127	5-5/8	143	3	76	2,260	2,020	Bulk
6	152	5/8	16	6-1/16	154	6-3/4	171	3-1/2	89	3,620	3,230	Bulk
8	203	5/8	16	6-15/16	176	8-3/4	222	3-1/2	89	3,620	3,230	Bulk
10	254	3/4	19	8-3/8	213	10-7/8	276	4	102	5,420	4,830	Bulk
12	305	7/8	22	9-5/8	244	12-7/8	327	4-1/2	114	7,540	6,730	Bulk
14	356	7/8	22	10-1/4	260	14-1/8	359	5	127	7,540	6,730	Bulk
16	406	7/8	22	11-1/4	285	16-1/8	410	5	127	7,540	6,730	Bulk
18	457	1	25	13	330	18-1/8	460	5	127	9,929	8,850	Bulk
20	508	1	25	14	356	20-1/8	511	6	152	9,929	8,850	Bulk
24	610	1	25	16	406	24-1/8	613	6	152	9,929	8,850	Bulk



INDUSTRIAL HANGERS & CLAMPS

A 475 L Light U-Bolts Black

Material:	Carbon Steel Wire
Application:	Designed as a support, guide, or an anchor for pipe
Ordering:	Specify figure number and pipe size. c / w 4 hex nuts.
Approvals:	Complies with Manufacturers' Standardization Society SP-69 Type 24.



A 475L LIGHT U-BOLTS

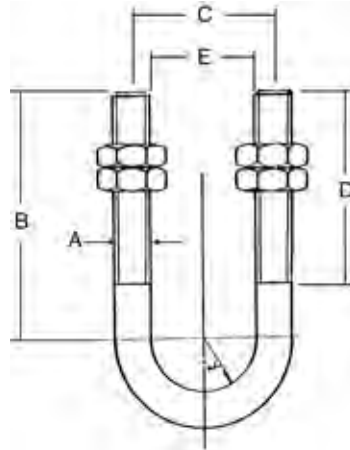
Size	A		B		C		D		Max Rec Load	Box Qty	
	mm	mm	mm	mm	mm	mm	mm				
1/2	13	1/4	6	2	51	15/16	24	1-3/4	44	485	50
3/4	19	1/4	6	2-1/8	54	1-3/16	29	2	50	485	50
1	25	1/4	6	2-1/2	64	1-3/8	35	2	50	485	50
1-1/4	32	1/4	6	2-7/16	64	1-3/4	44	1-3/4	44	485	50
1-1/2	38	1/4	6	3	76	2	51	2-1/2	64	485	50
2	50	1/4	6	3-3/8	86	2-1/2	64	2-1/2	64	485	50



INDUSTRIAL HANGERS & CLAMPS

A 175 Standard U-Bolts Zinc Plated

- Material:** Zinc Plated Carbon Steel Wire
- Application:** Used as a support, guide, or anchor for pipe.
- Ordering:** Specify pipe size and figure number. Comes complete with 4 hex nuts.
- Approvals:** Complies with Manufacturers Standardization Society SP – 69 Type 24.



A 175 STANDARD U-BOLTS ZINC PLATED

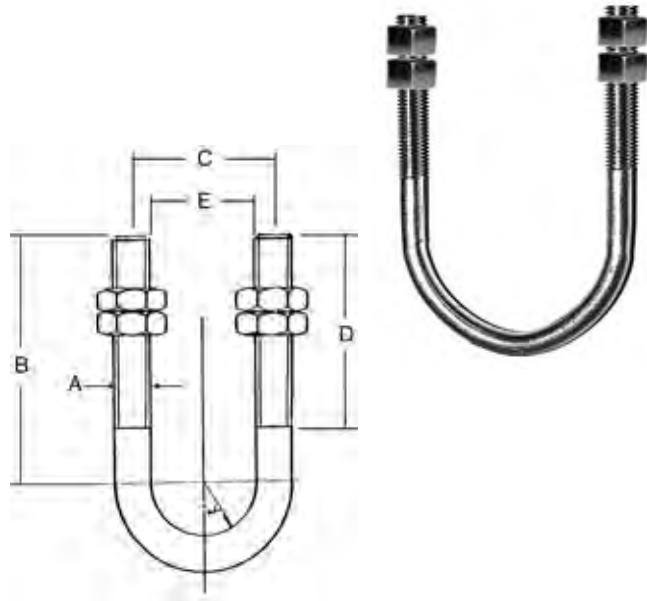
SIZE		"A"		"B"		"C"		"D"		Max Rec Load		Box Qty
	mm		mm		mm		mm		mm	650°F	750°F	
1/2	13	3/8	10	2-3/8	60	15/16	24	2	50	1,220	1,090	50
3/4	19	3/8	10	2-1/2	64	1-1/8	29	2	50	1,220	1,090	50
1	25	3/8	10	2-3/4	70	1-3/8	35	2	50	1,220	1,090	50
1-1/4	32	3/8	10	2-7/8	73	1-3/4	44	2-1/2	64	1,229	1,090	50
1-1/2	38	3/8	10	3	76	2	50	2-1/2	64	1,229	1,090	50
2	50	3/8	10	3-5/16	84	2-7/16	62	2-1/2	64	1,229	1,090	50
2-1/2	64	1/2	13	3-13/16	97	2-15/16	75	3	76	2,260	2,020	25
3	76	1/2	13	4	102	3-9/16	91	3	76	2,260	2,020	25
3-1/2	89	1/2	13	4-1/4	108	4-1/16	103	3	76	2,260	2,020	20
4	102	1/2	13	4-1/2	114	4-9/16	116	3	76	2,260	2,020	20
5	127	1/2	13	5	127	5-5/8	143	3	76	2,260	2,020	Bulk
6	152	5/8	16	6-1/16	154	6-3/4	171	3-1/2	89	3,620	3,230	Bulk
8	203	5/8	16	6-15/16	176	8-3/4	222	3-1/2	89	3,620	3,230	Bulk
10	254	3/4	19	8-3/8	213	10-7/8	276	4	102	5,420	4,830	Bulk
12	305	7/8	22	9-5/8	244	12-7/8	327	4-1/2	114	7,540	6,730	Bulk
14	356	7/8	22	10-1/4	260	14-1/8	359	5	127	7,540	6,730	Bulk
16	406	7/8	22	11-1/4	285	16-1/8	410	5	127	7,540	6,730	Bulk
18	457	1	25	13	330	18-1/8	460	5	127	9,929	8,850	Bulk
20	508	1	25	14	356	20-1/8	511	6	152	9,929	8,850	Bulk
24	610	1	25	16	406	24-1/8	613	6	152	9,929	8,850	Bulk



INDUSTRIAL HANGERS & CLAMPS

A 175 L Light U-Bolts Zinc Plated

Material:	Zinc Plated Carbon Steel Wire
Application:	Designed as a support, guide, or an anchor for pipe
Ordering:	Specify figure number and pipe size. c / w 4 hex nuts.
Approvals:	Complies with Manufacturers' Standardization Society SP-69 Type 24.



A 175L LIGHT U-BOLTS ZINC PLATED

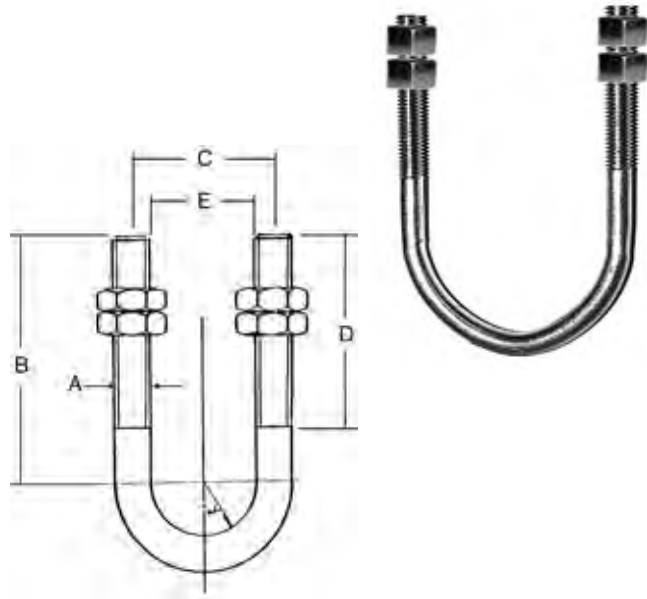
Size	A		B		C		D		Max Rec Load	Qty Pcs	
	mm	mm	mm	mm	mm	mm	mm				
1/2	13	1/4	6	2	51	15/16	24	1-3/4	44	485	50
3/4	19	1/4	6	2-1/8	54	1-3/16	29	2	50	485	50
1	25	1/4	6	2-1/2	64	1-3/8	35	2	50	485	50
1-1/4	32	1/4	6	2-7/16	64	1-3/4	44	1-3/4	44	485	50
1-1/2	38	1/4	6	3	76	2	51	2-1/2	64	485	50
2	50	1/4	6	3-3/8	86	2-1/2	64	2-1/2	64	485	50



INDUSTRIAL HANGERS & CLAMPS

A 175SS U-Bolts Stainless Steel

- Material:** Stainless Steel Wire
- Application:** Used as a support, guide, or anchor for pipe.
- Ordering:** Specify pipe size and figure number. Comes complete with 4 hex nuts.
- Approvals:** Complies with Manufacturers Standardization Society SP – 69 Type 24.



A 175SS U-BOLTS STAINLESS STEEL

SIZE		"A"		"B"		"C"		"D"		Max Rec Load		Box Qty
	mm		mm		mm		mm		mm	650°F	750°F	
1/2	13	3/8	10	2-3/8	60	15/16	24	2	50	1,220	1,090	50
3/4	19	3/8	10	2-1/2	64	1-1/8	29	2	50	1,220	1,090	50
1	25	3/8	10	2-3/4	70	1-3/8	35	2	50	1,220	1,090	50
1-1/4	32	3/8	10	2-7/8	73	1-3/4	44	2-1/2	64	1,229	1,090	50
1-1/2	38	3/8	10	3	76	2	50	2-1/2	64	1,229	1,090	50
2	50	3/8	10	3-5/16	84	2-7/16	62	2-1/2	64	1,229	1,090	50
2-1/2	64	1/2	13	3-13/16	97	2-15/16	75	3	76	2,260	2,020	25
3	76	1/2	13	4	102	3-9/16	91	3	76	2,260	2,020	25
3-1/2	89	1/2	13	4-1/4	108	4-1/16	103	3	76	2,260	2,020	20
4	102	1/2	13	4-1/2	114	4-9/16	116	3	76	2,260	2,020	20
5	127	1/2	13	5	127	5-5/8	143	3	76	2,260	2,020	Bulk
6	152	5/8	16	6-1/16	154	6-3/4	171	3-1/2	89	3,620	3,230	Bulk
8	203	5/8	16	6-15/16	176	8-3/4	222	3-1/2	89	3,620	3,230	Bulk
10	254	3/4	19	8-3/8	213	10-7/8	276	4	102	5,420	4,830	Bulk
12	305	7/8	22	9-5/8	244	12-7/8	327	4-1/2	114	7,540	6,730	Bulk
14	356	7/8	22	10-1/4	260	14-1/8	359	5	127	7,540	6,730	Bulk
16	406	7/8	22	11-1/4	285	16-1/8	410	5	127	7,540	6,730	Bulk
18	457	1	25	13	330	18-1/8	460	5	127	9,929	8,850	Bulk
20	508	1	25	14	356	20-1/8	511	6	152	9,929	8,850	Bulk
24	610	1	25	16	406	24-1/8	613	6	152	9,929	8,850	Bulk



INDUSTRIAL HANGERS & CLAMPS

A 333 Turnbuckle

Material:	Forged Steel
Application:	Designed as a hanger rod connection with up to 6" adjustment. One end has left hand thread while the other has right hand threads.
Ordering:	Specify figure number and rod size.
Approvals:	Complies with manufacturers' Standardization Society SP - 69 Type 13.



A 333 TURNBUCKLE

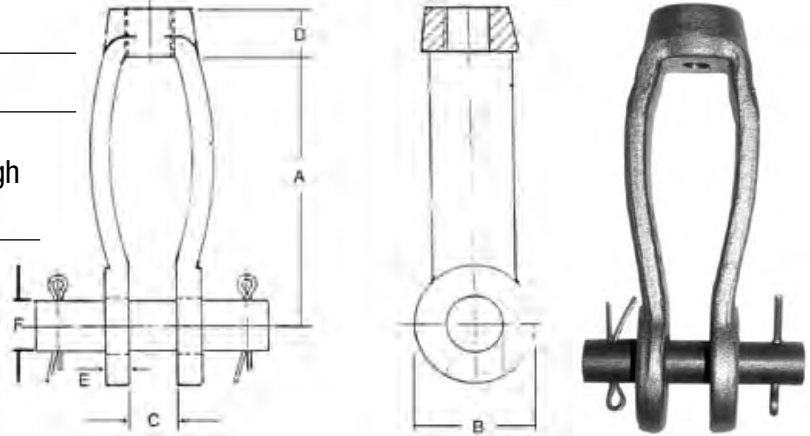
SIZE		A		B		C		Max Rec Load		Box Qty
	mm		mm		mm		mm	650°F	750°F	
3/8	10	6	152	7-1/4	184	5/8	16	610	540	50
1/2	13	6	152	7-1/2	190	3/4	19	1,130	1,010	25
5/8	16	6	152	7-3/4	196	7/8	22	1,810	1,610	25
3/4	19	6	152	8-3/16	208	1-1/8	28	2,710	2,420	25
7/8	22	6	152	8-1/2	216	1-1/4	32	3,770	3,360	15
1	25	6	152	9	228	1-1/2	38	4,960	3,360	15
1-1/8	29	6	152	9-7/32	234	1-5/8	41	8,000	4,420	15
1-1/4	32	6	152	9-7/32	234	1-5/8	41	11,630	7,140	10
1-1/2	38	6	152	9-3/4	248	1-7/8	48	15,700	10,370	Bulk
1-3/4	44	6	152	10-3/8	264	2-7/32	56	15,700	14,000	Bulk
2	50	6	152	11	280	2-1/2	64	20,700	18,460	Bulk



INDUSTRIAL HANGERS & CLAMPS

A 339 Forged Steel Clevis

- Material:** Forged Steel
- Application:** Designed as an adjustable hanger rod connection for high temperature pipe runs.
- Ordering:** Specify figure number and rod size
- Approvals:** Complies with Manufacturers' Standardization Society SP - 69 Type 14.



A 339 FORGED STEEL CLEVIS

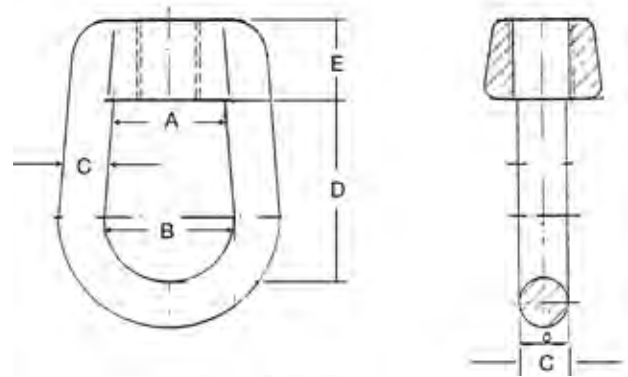
SIZE	A		B		C		D		E		F		Max Rec Load		
	mm	mm	mm	mm	mm	mm	mm	mm	mm	mm	mm	650°F	750°F		
3/8	10	3-5/8	92	1-9/16	40	1/2	13	5/8	16	5/16	8	1/2	12.7	610	1,540
1/2	13	3-5/8	92	1-9/16	40	1/2	13	5/8	16	5/16	8	5/8	15.8	1,130	1,610
5/8	16	3-5/8	92	1-9/16	40	5/8	16	5/8	16	5/16	8	3/4	19	1,810	1,610
3/4	19	5	127	2-1/2	64	3/4	19	1	25	3/8	9.5	7/8	22.2	2,710	2,420
7/8	22	5	127	2-1/2	64	7/8	22	1	25	3/8	9.5	1	25.4	3,770	3,360
1	25	5	127	3	76	1	25	1-1/4	32	1/2	13	1-1/8	28.5	4,960	4,420
1-1/4	32	5	127	3	76	1-1/4	32	1-1/4	32	1/2	13	1-3/8	34.9	8,000	7,140
1-1/2	38	6	152	3-5/8	92	1-1/2	38	1-5/8	41	1/2	13	1-5/8	41.2	11,630	10,370
1-3/4	44	6	152	4	102	1-3/4	44	1-3/4	44	1/2	13	1-7/8	47.6	15,700	14,000
2	50	7	178	5	127	1-1/2	64	2-1/4	57	5/8	16	2-1/4	57	20,700	18,460



INDUSTRIAL HANGERS & CLAMPS

A 344 Weldless Eye Nut

Material:	Forged Steel
Application:	Designed for use on high temperature pipe runs where a flexible connection is required.
Ordering:	Specify figure number and rod size.
Approvals:	Complies with manufacturers' Standardization Society SP - 69 TYPE 16.



A 344 EYE NUT

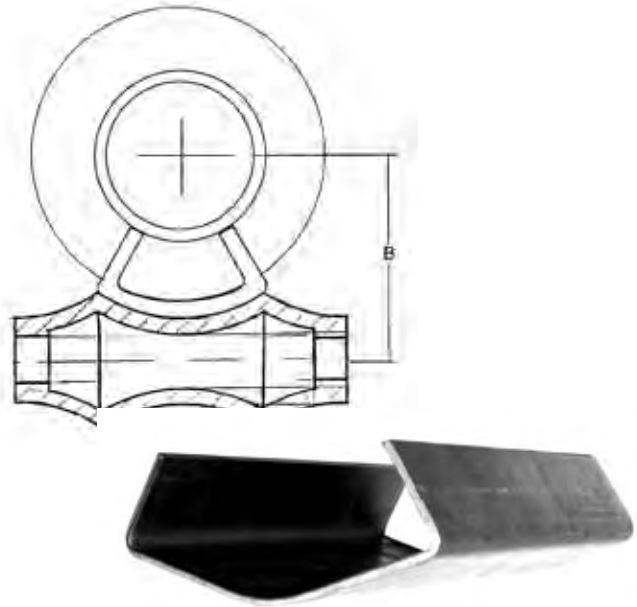
SIZE	A		B		C		D		E		Max Rec Load		
	mm	mm	mm	mm	mm	mm	mm	mm	mm	650°F	750°F		
3/8	10	1	25	1-3/8	35	1/2	13	2	50	7/8	22	730	572
1/2	13	1-1/8	29	1-3/8	35	1/2	13	2	50	7/8	22	1,350	1,057
5/8	16	1-1/8	29	1-3/8	35	1/2	13	2	50	7/8	22	2,160	1,692
3/4	19	1-1/8	29	1-3/8	35	1/2	13	2	50	7/8	22	3,230	2,530
7/8	22	1-1/2	38	1-7/8	48	3/4	19	2-5/8	67	1-1/8	29	4,480	3,508
1	25	1-1/2	38	1-7/8	48	3/4	19	2-5/8	67	1-1/8	29	5,900	4,620
1-1/8	29	1-5/8	41	2-1/4	57	1	25	3-1/4	83	1-3/8	35	9,500	7,440
1-1/4	32	1-5/8	41	2-1/4	57	1	25	3-1/4	83	1-3/8	35	13,800	10,807
1-1/2	38	1-5/8	41	2-3/8	60	1	25	3-1/2	89	1-3/8	35	18,600	14,566
2	50	4	102	4	102	1-1/2	38	6-1/4	159	2-1/4	57	24,600	19,265



INDUSTRIAL HANGERS & CLAMPS

A 80/84 Pipe Protection Saddle 1" & 1-1/2"

- Material:** A-36 Carbon Steel.
- Application:** Designed to protect pipe insulation on high temperature pipe lines.
- Ordering:** Specify figure number, pipe size, and insulation thickness.
- Approvals:** Complies with manufacturers' Standardization Society SP-69 Type 39 A.



A 80 PIPE PROTECTION SADDLE FOR 1" INSULATION

Size	Roller Size		B		
	mm	mm		mm	
3/4	19	3	76	2-1/16	52
1	25	4	102	2-5/16	59
1-1/4	32	4	102	2-1/2	64
1-1/2	38	4	102	2-5/8	67
2	50	5	127	3	76
2-1/2	64	5	127	3-1/4	83
3	76	6	152	3-1/2	89
3-1/2	89	6	152	4	102
4	102	6	152	4-1/4	108
5	127	8	203	4-13/16	122
6	152	8	203	5-3/8	137
8	203	10	254	6-9/16	167
10	254	12	305	7-13/16	198
12	305	14	356	9	229
14	356	16	406	9-11/16	246
16	406	18	457	10-3/4	273
18	457	20	508	11-13/16	300
20	508	24	610	13-1/16	332

A 84 PIPE PROTECTION SADDLE FOR 1-1/2" INSULATION

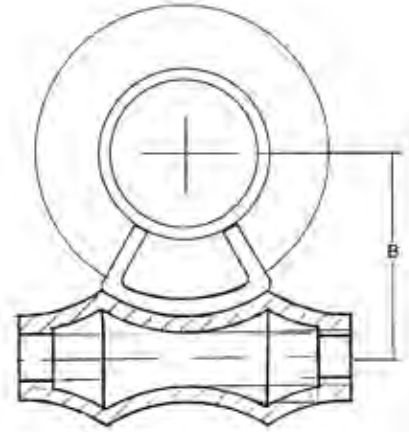
Size	Roller Size		B		
	mm	mm		mm	
3/4	19	4	102	2-3/4	70
1	25	5	127	2-7/8	73
1-1/4	32	5	127	3-1/16	78
1-1/2	38	5	127	3-1/4	83
2	50	6	152	3-1/2	89
2-1/2	64	6	152	4	102
3	76	6	152	4-5/16	110
3-1/2	89	6	152	4-9/16	116
4	102	8	203	4-7/8	124
5	127	10	254	5-1/2	140
6	152	10	254	5-7/8	149
8	203	12	305	7-1/16	179
10	254	14	356	8-5/8	211
12	305	16	406	9-1/2	241
14	356	18	457	10-3/16	259
16	406	20	508	11-1/4	286
18	457	24	610	12-5/16	313
20	508	24	610	13-9/16	344



INDUSTRIAL HANGERS & CLAMPS

A 88/90 Pipe Protection Saddle 2" & 2-1/2"

- Material:** A-36 Carbon Steel.
- Application:** Designed to protect pipe insulation on high temperature pipe lines.
- Ordering:** Specify figure number, pipe size, and insulation thickness.
- Approvals:** Complies with manufacturers' Standardization Society SP-69 Type 39 A.



A 88 PIPE PROTECTION SADDLE FOR 2" INSULATION

Size	Roller Size		B		
	mm	mm		mm	
3/4	19	5	127	3-5/16	84
1	25	6	152	3-1/2	89
1-1/4	32	6	152	3-5/8	92
1-1/2	38	6	152	4	102
2	50	6	152	4-1/4	108
2-1/2	64	6	152	4-1/2	114
3	76	8	203	4-13/16	122
3-1/2	89	8	203	5-1/8	130
4	102	8	203	5-3/8	137
5	127	10	254	6	152
6	152	10	254	6-7/8	175
8	203	12	305	7-9/16	192
10	254	16	406	9-1/16	230
12	305	16	406	10-3/16	259
14	356	18	457	10-7/8	276
16	406	20	508	11-3/16	284
18	457	24	610	12-7/8	327
20	508	24	610	14-1/16	359

A 90 PIPE PROTECTION SADDLE FOR 2-1/2" INSULATION

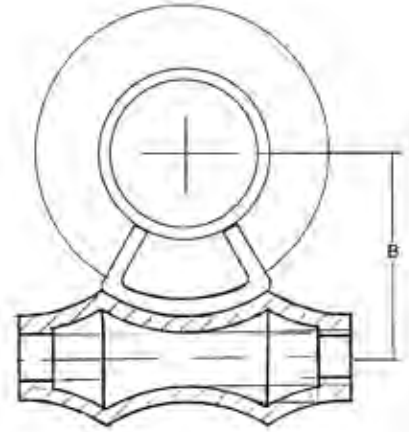
Size	Roller Size		B		
	mm	mm		mm	
2	50	8	203	4-3/4	121
2-1/2	64	8	203	5-3/8	137
3	76	8	203	5-3/8	137
3-1/2	89	8	203	5-3/8	137
4	102	10	254	6	152
5	127	12	305	6-5/8	168
6	152	12	305	7	178
8	203	14	356	8-1/4	210
10	254	16	406	9-5/8	244
12	305	18	457	10-1/2	267
14	356	20	508	11-3/8	289
16	406	24	610	12-1/4	311
18	457	24	610	13-1/2	343
20	508	24	610	14-5/8	371



INDUSTRIAL HANGERS & CLAMPS

A 92/95 Pipe Protection Saddle 3" & 4"

Material:	A-36 Carbon Steel.
Application:	Designed to protect pipe insulation on high temperature pipe lines.
Ordering:	Specify figure number, pipe size, and insulation thickness.
Approvals:	Complies with manufacturers' Standardization Society SP-69 Type 39 A.



A 92 PIPE PROTECTION SADDLE FOR 3" INSULATION

Size	Roller Size		B		
	mm	mm		mm	
2	50	8	203	5-3/8	137
2-1/2	64	8	203	5-5/8	143
3	76	8	203	6	152
3-1/2	89	8	203	6-5/16	160
4	102	10	254	6-9/16	167
5	127	12	305	7-1/8	181
6	152	12	305	7-5/8	194
8	203	14	356	9	229
10	254	16	406	10-1/8	257
12	305	18	457	11-1/8	283
14	356	20	508	11-3/4	298
16	406	24	610	12-7/8	327
18	457	24	610	14-3/16	360
20	508	24	610	15-7/8	403

A 95 PIPE PROTECTION SADDLE FOR 4" INSULATION

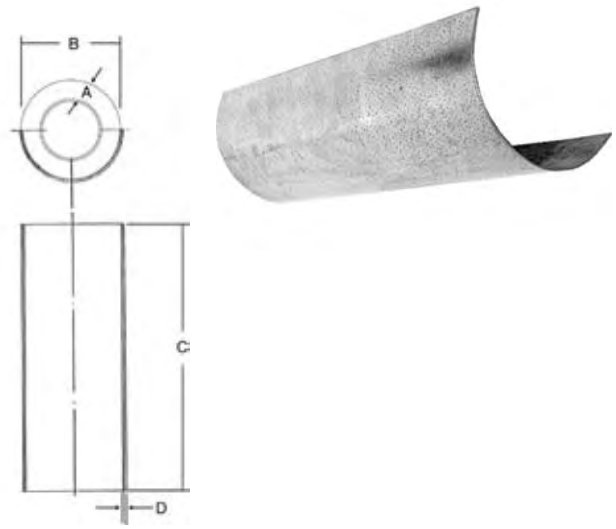
Size	Roller Size		B		
	mm	mm		mm	
4	102	12	305	7-5/8	194
5	127	14	356	8-3/16	210
6	152	14	356	9	229
8	203	16	406	10-1/8	257
10	254	18	457	11-1/4	286
12	305	20	508	12-3/8	314
14	356	24	610	12-7/8	327
16	406	24	610	14-1/8	359
18	457	24	610	15-1/2	394
20	508	24	610	17	432



INDUSTRIAL HANGERS & CLAMPS

A 203 Insulation Protection Shield

Material:	Pregalvanized Carbon Steel.
Application:	Designed to protect pipe insulation when used with hangers.
Ordering:	Specify figure number, pipe size, and insulation thickness. When ordering look at the selection table below, find the pipe size required and the insulation thickness you have to determine the shield number you will require.
Approvals:	Complies with Manufacturers' Standardization Society SP-69 Type 40.



A 203 INSULATION PROTECTION SHIELD – Selection Table

Pipe Size		A-Insulation Thickness				
	mm	1/2	3/4	1	1 1/2	2
1/2	13	0	1	1		
3/4	19	1	1	2	4	6
1	25	1	2	3	5	7
1-1/4	32	2	3	3	6	7
1-1/2	38	2	3	4	6	7
2	50	3	4	5	7	8
2-1/2	64	4	5	6	7	8
3	76	5	6	7	8	9
3-1/2	89	–	–	8	9	10
4	102	–	–	8	9	10
5	127	–	–	11	12	13
6	152	–	–	12	13	14
8	203	–	–	14	15	16
10	254	–	–	16	17	18
12	305	–	–	18	19	20
14	356	–	–	19	20	21

Size of Shield	B		C		D	
		mm		mm		mm
0	1-7/8	48	12	305	3/64	1.2
1	2-3/8	60	12	305	3/64	1.2
2	2-7/8	73	12	305	3/64	1.2
3	3-1/2	89	12	305	3/64	1.2
4	4	102	12	305	3/64	1.2
5	4-1/2	114	12	305	3/64	1.2
6	5	127	12	305	3/64	1.2
7	5-9/16	142	12	305	3/64	1.2
8	6-5/8	168	12	305	1/16	1.5
9	7-5/8	194	12	305	1/16	1.5
10	8-5/8	220	12	305	1/16	1.5
13	9-19/32	244	18	457	1/16	1.5
14	10-30/32	278	18	457	1/16	1.5
15	11-3/4	298	24	610	5/64	2.0
16	12-3/4	324	24	610	5/64	2.0
17	14	356	24	610	5/64	2.0
18	15	382	24	610	5/64	2.0
19	16	406	24	610	5/64	2.0
20	17	432	24	610	5/64	2.0
21	18	458	24	610	3/32	2.5





HANGER ATTACHMENTS & STRUT PRODUCTS

Hangers attachments offered in this section are designed to suspend pipe and or threaded rod from beams, concrete and other structural surfaces by bolting or welding. Strut products offered in this section offer a wide range of different products all designed for supporting pipe.

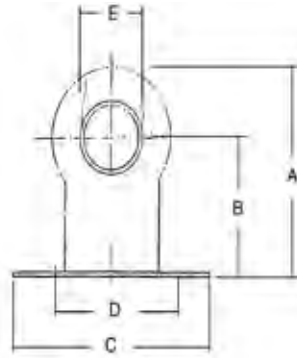
Materials: Carbon steel and Pre-Galvanized steel are the standard materials used for products in this section. All products in this section are also available in 316 Stainless Steel upon request.

Finishes: Attachments in this section are available in several different finishes. Epoxy coated, Zinc Plated, and standard black finishes are available. Strut and strut products are supplied standard galvanized finish.

HANGER ATTACHMENTS AND STRUT PRODUCTS

A 240 Standard Pipe Stay

Material:	Epoxy Coated Carbon Steel
Application:	Designed for use with Carbon Steel pipe or Copper pipe in residential or light commercial projects.
Ordering:	Specify figure number pipe size, carbon steel pipe or Copper pipe.



A240 STANDARD PIPE STAY

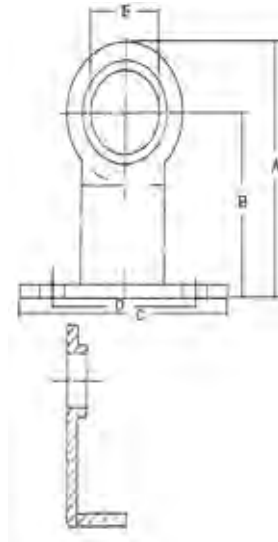
Size	A		B		C		D		E		Box Qty	
	mm	mm	mm	mm	mm	mm	mm	mm	mm			
1/2Cx3/8I.P	13	2-13/64	56	1-15/32	37	2-1/2	64	1-3/4	44	11/16	18	100
3/4Cx1/2I.P	19	2-13/64	56	1-15/32	37	2-1/2	64	1-3/4	44	15/16	24	100
1Cx3/4I.P	25	2-9/16	65	1-5/8	41	3-1/4	83	2	50	1-3/16	30.5	100
1-1/4Cx1I.P	32	2-9/16	65	1-5/8	41	3-1/4	83	2	50	1-15/32	38	75
1-1/2Cx1-1/4I.P	38	3-5/8	92	2-1/2	64	4	102	3	76	1-3/4	45	40
1-1/2IP	50	4-1/4	108	2-13/16	71	4-1/2	114	3	76	2-1/8	54	25
2IP	64	4-3/8	111	2-15/16	75	5	127	3-1/2	89	2-1/2	63	25



HANGER ATTACHMENTS AND STRUT PRODUCTS

A 245 Extended Pipe Stay

- Material:** Epoxy coated Carbon Steel
- Application:** Designed for use with Carbon Steel pipe or Copper pipe in residential or light commercial projects, where a higher elevation is required.
- Ordering:** Specify figure number pipe size, Carbon Steel pipe or Copper.



A 245 EXTENDED PIPE STAY

Size	A		B		C		D		E		Box Qty	
	mm	mm	mm	mm	mm	mm	mm	mm	mm			
1/2Cx3/8I.P	13	3-1/4	83	2-1/2	64	2-1/2	64	1-3/4	44	1-1/16	18	100
3/4Cx1/2I.P	19	3-1/4	83	2-1/2	64	2-1/2	64	1-3/4	44	15/16	24	100
1Cx3/4I.P	25	3-3/4	95	2-3/4	70	3-1/4	83	2	50	1-3/16	30.5	50
1-1/4Cx1I.P	32	3-7/8	99	2-3/4	70	3-1/4	83	2	50	1-1/2	38	50



HANGER ATTACHMENTS AND STRUT PRODUCTS

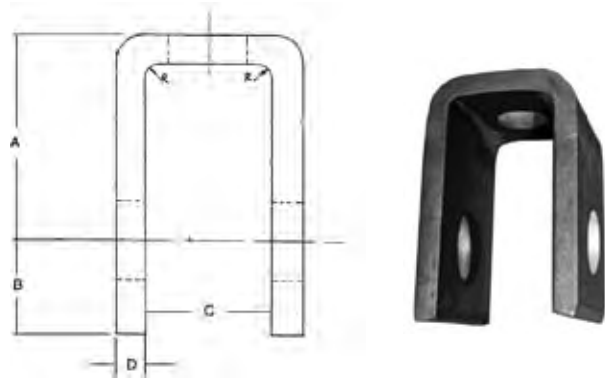
A 330 Heavy Duty Beam Attachment – Less Bolt

Material: Carbon Steel

Application: Designed for attaching hanger rod to the bottom of structural steel where heavy loads and large hanger rod sizes are required. Can be welded in place in either upright or inverted position.

Ordering: Specify figure number, rod size.

Approvals: Complies with Manufacturers' Standardization Society SP - 69 Type 22.



A 330 HEAVY DUTY BEAM ATTACHMENT

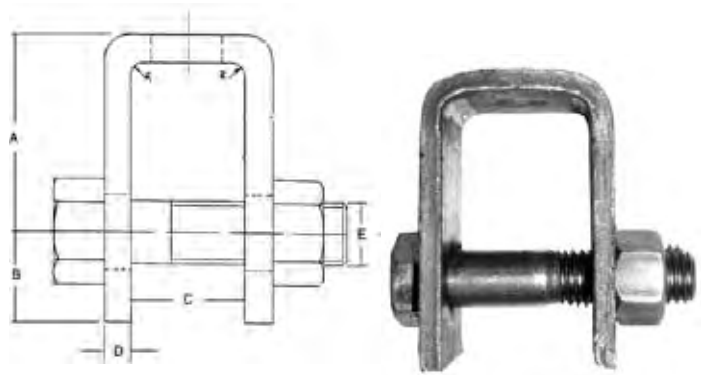
Size		A		B		C		D		Box Qty
	mm		mm		mm		mm		mm	
3/8	10	2-1/8	54	7/8	22	1-5/8	41	1/4x2	6x50	Bulk
1/2	13	2-1/8	54	7/8	22	1-5/8	41	1/4x2	6x50	Bulk
5/8	16	2-1/8	54	7/8	22	1-11/16	43	1/4x2	6x50	Bulk
3/4	19	2-3/8	60	1-1/8	28	1-11/16	43	3/8x2-1/2	10x64	Bulk
7/8	22	3-1/8	79	1-1/4	32	2	51	3/8x2-1/2	10x64	Bulk
1	25	3-1/4	83	1-1/2	38	2	51	1/2x3	12x76	Bulk
1-1/8	29	3-1/2	89	1-1/2	38	2-3/8	60	1/2x3	12x76	Bulk
1-1/4	32	3-1/2	89	2	50	2-1/2	64	5/8x4	16x102	Bulk
1-1/2	38	4	102	2-1/2	64	3	76	3/4x4	18x102	Bulk
1-3/4	44	5	127	2-3/4	70	3-3/4	95	3/4x5	18x127	Bulk
2	50	5	127	3-1/4	83	3-3/4	95	3/4x6	18x152	Bulk
2-1/4	57	6	152	3-1/2	89	4-1/4	108	3/4x6	18x152	Bulk
2-1/2	64	6	152	3-3/4	95	4-1/2	114	3/4x6	18x152	Bulk



HANGER ATTACHMENTS AND STRUT PRODUCTS

A 330-B Heavy Duty Beam Attachment with Bolt

Material:	Carbon Steel
Application:	Designed for attaching hanger rod to the bottom of structural steel where heavy loads and large hanger rod sizes are required. Can be welded in place in either upright or inverted position.
Ordering:	Specify figure number and rod size
Approvals:	Complies with Manufacturers' Standardization Society SP - 69 Type 22.



A 330B HEAVY DUTY BEAM ATTACHMENT

Size	A		B		C		D		E		
	mm	mm	mm	mm	mm	mm	mm	mm	mm	mm	
3/8	10	2-1/8	54	7/8	22	1-5/8	41	1/4x2	6x50	1/2x3	13x76
1/2	13	2-1/8	54	7/8	22	1-5/8	41	1/4x2	6x50	1/2x3	16x76
5/8	16	2-1/8	54	7/8	22	1-11/16	43	1/4x2	6x50	3/4x3	19x76
3/4	19	2-3/8	60	1-1/8	28	1-11/16	43	3/8x2-1/2	10x64	7/8x3-1/2	22x89
7/8	22	3-1/8	79	1-1/4	32	2	51	3/8x2-1/2	10x64	1x4	25x102
1	25	3-1/4	83	1-1/2	38	2	51	1/2x3	12x76	1-1/8x4-3/4	28x120
1-1/8	29	3-1/2	89	1-1/2	38	2-3/8	60	1/2x3	12x76	1-1/4x4-3/4	32x120
1-1/4	32	3-1/2	89	2	50	2-1/2	64	5/8x4	16x102	1-1/2x6	38x152
1-1/2	38	4	102	2-1/2	64	3	76	3/4x4	18x102	1-3/4x7-1/8	44x180
1-3/4	44	5	127	2-3/4	70	3-3/4	95	3/4x5	18x127	2x8-5/8	50x220
2	50	5	127	3-1/4	83	3-3/4	95	3/4x6	18x152	2-1/4x8-5/8	57x220
2-1/4	57	6	152	3-1/2	89	4-1/4	108	3/4x6	18x152	2-1/2x9-1/8	64x230
2-1/2	64	6	152	3-3/4	95	4-1/2	114	3/4x6	18x152	2-3/4x9-1/2	70x240



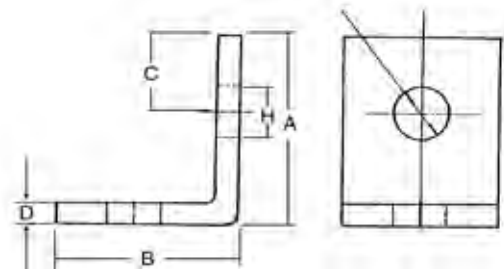
HANGER ATTACHMENTS AND STRUT PRODUCTS

A 350 Side Beam Bracket

Material: Carbon Steel

Application: Designed for attaching a hanger rod to the side of beams or walls.

Ordering: Specify figure number and Rod size.



A 350 SIDE BEAM CLAMP													
Rod Size		Hole Size "H"		"A"		"B"		"C"		"D"		Max Rec Load	
	mm		mm		mm		mm		mm		mm	w/Lag Screw	w/Bolt to Steel
3/8	10	7/16	11	2	51	1-7/8	47	1/2	13	1/4x1-5/8	6x41	650	1,150
1/2	13	9/16	14	2	51	1-7/8	47	13/16	21	1/4x1-5/8	6x41	650	1,150
5/8	16	11/16	17.5	3	76	3	76	1	26	3/8x2	10x50	850	2,000
3/4	19	13/16	21	3-1/2	89	3-7/16	87	1-1/4	32	3/8x2	10x50	900	2,200
7/8	22	15/16	24	3-1/2	89	3-1/2	89	1-1/4	32	1/2x2	12x50	950	2,400



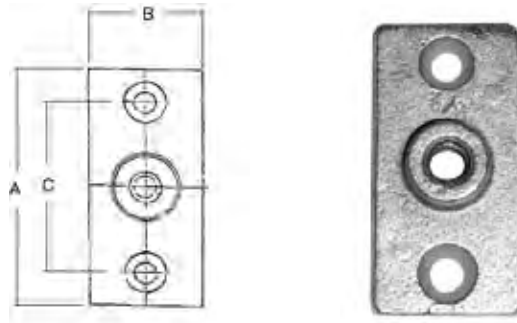
HANGER ATTACHMENTS AND STRUT PRODUCTS

A 22Z Zinc Plated Ceiling Flange

Material: Zinc Plated Malleable Iron.

Application: Designed for attaching to a wooden beam or structure where a hanger rod or threaded rod can be connected to support a pipe hanger.

Ordering: Specify figure number and rod size required.



A 22Z CEILING FLANGE ZINC PLATED

SIZE		"A"		"B"		"C"		Max Rec Load	Box Qty
	mm		mm		mm		mm		
3/8	10	2-3/4	70	1-1/4	32	2	50	180	100
1/2	13	2-3/4	70	1-1/4	32	2	50	180	100

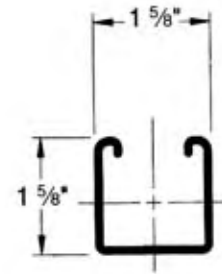
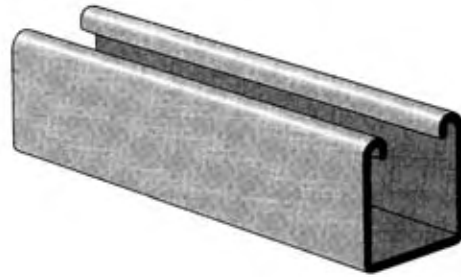


HANGER ATTACHMENTS AND STRUT PRODUCTS

A U927 Strut Channel (1-5/8" x 1-5/8" x 10")

Material: Channels are accurately and carefully cold formed to size from low-carbon strip steel.

Steel: Pre-Galvanized 12 Ga.

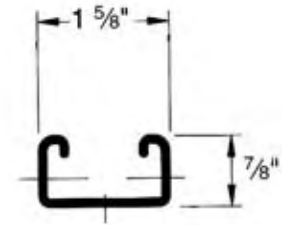
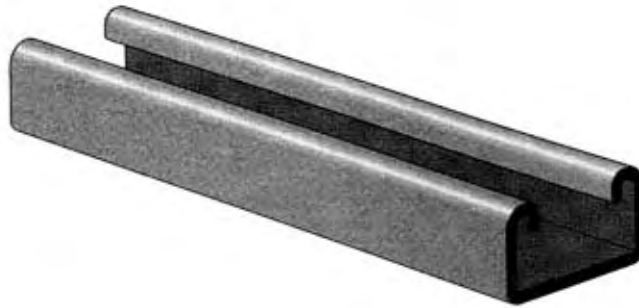


HANGER ATTACHMENTS AND STRUT PRODUCTS

A U928 Strut Channel (1-5/8" x 7/8" x 10')

Material: Channels are accurately and carefully cold formed to size from low-carbon strip steel.

Steel: Pre-Galvanized 12 Ga.



HANGER ATTACHMENTS AND STRUT PRODUCTS

A U929 Spring Nut with spring

Spring Nuts unless noted otherwise, are punch-press made from hot rolled, pickled and oiled steel plates, strip or coil, and conform to ASTM specifications A575, A576, A635 or A36.



A U929 Spring Nut with Spring

Part Number	Size & Thread	Weight	
		Lbs	Kg.
P1006-1420	1/4"-20	7	3.2
P1008	3/8"-16	10	4.5
P1010	1/2"-13	12	5.4
P1012S	5/8"-11	21	9.5
P1023S	3/4"-10	21	9.5



HANGER ATTACHMENTS AND STRUT PRODUCTS

A U930 Spring Nut

Spring Nuts unless noted otherwise, are punch-press made from hot rolled, pickled and oiled steel plates, strip or coil, and conform to ASTM specifications A575, A576, A635 or A36.



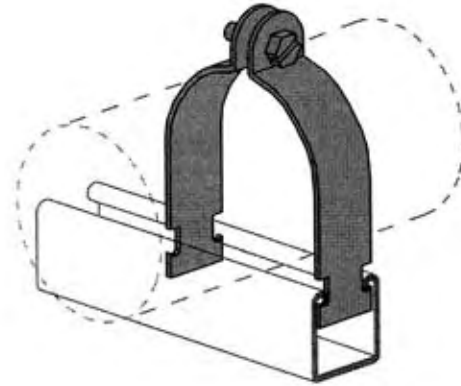
A U929 Spring Nut			
<i>Part Number</i>	<i>Size & Thread</i>	<i>Weight</i>	
		<i>Lbs</i>	<i>Kg.</i>
P3006-1420	1/4"-20	6	2.7
P3008	3/8"-16	9	4.1
P3010	1/2"-13	11	5.0



HANGER ATTACHMENTS AND STRUT PRODUCTS

A U931 Strut Clamp

Fittings unless noted otherwise, are punch-press made from hot rolled, pickled and oiled steel plates, strip or coil, and conform to ASTM specifications A575, A576, A635 or A36.



A U931 STRUT CLAMP for PIPE

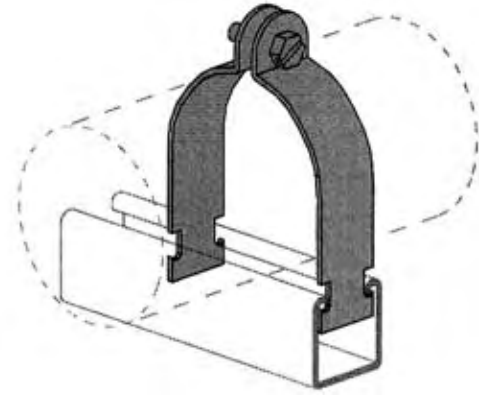
Part Num.	Pipe Size	O.D. Size		Material		Weight/C		Design Load	
			mm	Gage	mm	Lbs.	kg	Lbs.	kN
P1109	3/8	.675	17.1	16	1.5	10	4.5	400	1.8
P1111	1/2	.840	21.3	16	1.5	11	5.0	400	1.8
P1112	3/4	1.050	26.7	14	1.9	15	6.8	600	2.7
P1113	1	1.315	33.4	14	1.9	17	7.7	600	2.7
P1114	1-1/4	1.660	42.2	14	1.9	19	8.6	600	2.7
P1115	1-1/2	1.900	48.3	12	2.7	29	13.2	800	3.6
P1117	2	2.375	60.3	12	2.7	34	15.4	800	3.6
P1118	2-1/2	2.875	73.0	12	2.7	40	18.1	800	3.6
P1119	3	3.500	88.9	12	2.7	47	21.3	800	3.6
P1120	3-1/2	4.000	101.6	11	3.0	62	28.1	1000	4.4
P1121	4	4.500	114.3	11	3.0	67	30.4	1000	4.4
P1123	5	5.563	141.3	11	3.0	80	36.3	1000	4.4
P1124	6	6.625	168.3	10	3.4	102	46.3	1000	4.4
P1126	8	8.625	219.1	10	3.4	130	59.0	1000	4.4



INDUSTRIAL HANGERS & CLAMPS

A U932 Strut Clamps for O.D. Tubing

Fittings unless noted otherwise, are punch-press made from hot rolled, pickled and oiled steel plates, strip or coil, and conform to ASTM specifications A575, A576, A635 or A36.



A U932 STRUT CLAMP for O.D. PIPE

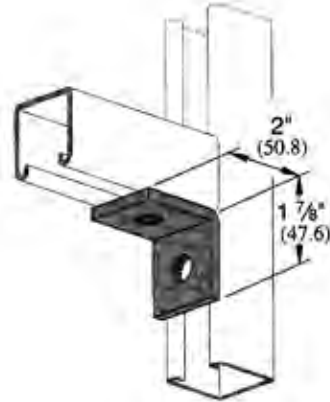
Part No.	O.D. Size		Weight/C		Design Load
	In	mm	Lbs.	kg	Lbs(kN)
P2025	3/8	9.5	8	3.6	400(1.8)
P2027	5/8	15.9	10	4.5	400(1.8)
P2029	7/8	22.2	12	5.4	400(1.8)
P2031	1-1/8	28.6	15	6.8	600(2.7)
P2033	1-3/8	34.9	17	7.7	600(2.7)
P2035	1-5/8	41.3	19	8.6	600(2.7)
P2037	1-7/8	47.6	28	12.7	800(3.6)
P2039	2-1/8	54.0	32	14.5	800(3.6)



HANGER ATTACHMENTS AND STRUT PRODUCTS

A U933 90° Angle

Fittings unless noted otherwise, are punch-press made from hot rolled, pickled and oiled steel plates, strip or coil, and conform to ASTM specifications A575, A576, A635 or A36.





THREADED PRODUCTS

Threaded products offered in this section are designed to reduce installation time.
A wide range of types and sizes are available for various applications.

Material: For maximum loading designs carbon steel is used in the manufacturing of standard threaded rod products. 316 Stainless Steel is used for Stainless Steel Rod.

Finishes: The standard finishes for mechanical supports are plain steel (oil coated) sometimes referred to as black. Electro Galvanized Zinc (ASTM A123) are all available from stock. 316 Stainless steel is also available from stock.

THREADED PRODUCTS

A 925 All Threaded Rod Black

Material: A 1008 - 1018 Carbon Steel.

Application: Designed for use in pipe hanger assemblies or supporting standard pipe hangers to a structure.

Ordering: Specify figure number and finish.



A 925 ALL THREADED ROD - BLACK

Rod Size		Colour Code	Threads per inch	10' Lengths Weight		12' Lengths Weight		3' Lengths Weight	
	mm			Per Length		Per Length		Per Length	
1/4	6	White	20	1.9	0.88	2.3	1.06	0.6	0.27
5/16	8	Beige	18	2.4	1.10	2.9	1.33	0.7	0.33
3/8	10	Black	16	2.9	1.33	3.5	1.59	0.9	0.40
1/2	13	Yellow	3	5.9	2.34	6.2	2.83	1.6	0.71
5/8	16	Brown	11	8.1	3.68	9.7	4.42	2.4	1.11
3/4	10	Green	10	11.7	5.30	14	6.36	3.5	1.59
7/8	22	Orange	9	15.8	7.20	19	8.64	4.8	2.16
1	25	Light Blue	8	20.7	9.42	25	11.3	6.2	2.83



THREADED PRODUCTS

A 926 All Threaded Rod Zinc Plated

Material: A 1008 - 1018 Carbon Steel.

Application: Designed for use in pipe hanger assemblies or supporting standard pipe hangers to a structure.

Ordering: Specify figure number and finish.



A 925 ALL THREADED ROD - ZINC PLATED

Rod Size		Colour Code	Threads per inch	10' Lengths Weight		12' Lengths Weight		3' Lengths Weight	
	mm			Per Length		Per Length		Per Length	
1/4	6	White	20	1.9	0.88	2.3	1.06	0.6	0.27
5/16	8	Beige	18	2.4	1.10	2.9	1.33	0.7	0.33
3/8	10	Black	16	2.9	1.33	3.5	1.59	0.9	0.40
1/2	13	Yellow	3	5.9	2.34	6.2	2.83	1.6	0.71
5/8	16	Brown	11	8.1	3.68	9.7	4.42	2.4	1.11
3/4	10	Green	10	11.7	5.30	14	6.36	3.5	1.59
7/8	22	Orange	9	15.8	7.20	19	8.64	4.8	2.16
1	25	Light Blue	8	20.7	9.42	25	11.3	6.2	2.83



THREADED PRODUCTS

A 925SS All Threaded Rod Stainless Steel

Material: Stainless Steel.

Application: Designed for use in pipe hanger assemblies or supporting standard pipe hangers to a structure.

Ordering: Specify figure number and finish.



A 925SS ALL THREADED ROD - STAINLESS STEEL

Rod Size		Colour Code	Threads per inch	10' Lengths Weight		12' Lengths Weight		3' Lengths Weight	
	mm			Per Length		Per Length		Per Length	
1/4	6	White	20	1.9	0.88	2.3	1.06	0.6	0.27
5/16	8	Beige	18	2.4	1.10	2.9	1.33	0.7	0.33
3/8	10	Black	16	2.9	1.33	3.5	1.59	0.9	0.40
1/2	13	Yellow	14	5.9	2.34	6.2	2.83	1.6	0.71
5/8	16	Brown	11	8.1	3.68	9.7	4.42	2.4	1.11
3/4	19	Green	10	11.7	5.30	14	6.36	3.5	1.59
7/8	22	Orange	9	15.8	7.20	19	8.64	4.8	2.16
1	25	Light Blue	8	20.7	9.42	25	11.3	6.2	2.83



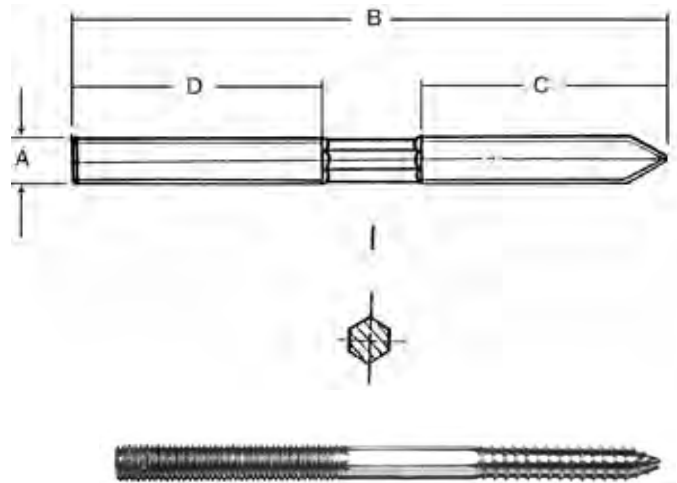
THREADED PRODUCTS

A 425 Coach Screw Rod

Material: Carbon Steel Wire

Application: Coach screw rods are used to support a hanger from a wooden joist. Coach screw rods have a lag thread on one end and a machine thread on the other end.

Ordering: Specify figure number and rod size required.



A 425 COACH SCREW RODS

SIZE		"A"		"B"		"C"		"D"		Box Qty
	mm		mm		mm		mm		mm	
3/8x4	10x102	3/8	10	4	102	1-7/8	48	1-1/2	38	400
3/8x6	10x152	3/8	10	6	152	1-7/8	48	2-1/2	64	400
3/8x8	10x203	3/8	10	8	203	1-7/8	48	2-1/2	64	400
3/8x10	10x254	3/8	10	10	254	1-7/8	48	2-1/2	64	200
3/8x12	10x305	3/8	10	12	305	1-7/8	48	2-1/2	64	200
1/2x6	13x152	1/2	13	6	152	1-7/8	48	2-1/2	64	200
1/2x8	13x203	1/2	13	8	203	1-7/8	48	2-1/2	64	100



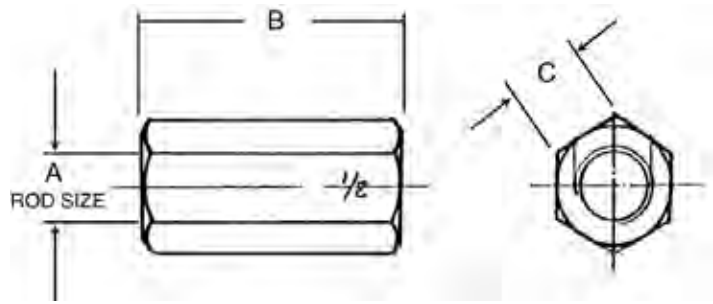
THREADED PRODUCTS

A 450 Steel Rod Couplings

Material: Zinc Plated Carbon Steel.

Application: Rod couplings are used to join two pieces of threaded rod together in order to support a pipe hanger holding pipe.

Ordering: Specify figure number and rod size required.



A 450 STEEL ROD COUPLINGS

SIZE		"A"		"B"		"C"		Box Qty
	mm		mm		mm		mm	
1/4	6	1/4	6	7/8	22	5/16	8	250
3/8	10	3/8	10	1-3/4	44	5/16	8	200
1/2	13	1/2	13	1-3/4	44	3/8	10	150
5/8	16	5/8	16	2	50	1/2	13	Bulk
3/4	19	3/4	19	2-1/4	57	9/16	14	Bulk
7/8	22	7/8	22	2-1/2	64	-	-	Bulk
1	25	1	25	2-1/2	64	-	-	Bulk
1-1/4	32	1-1/4	32	3	76	-	-	Bulk
1-1/2	38	1-1/2	38	3	76	-	-	Bulk



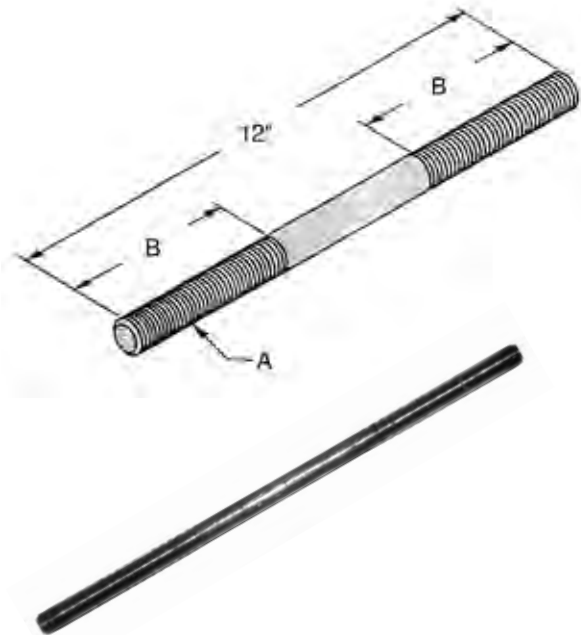
THREADED PRODUCTS

A W921 Machine Thread Rods Left and Right Threads

Material: A-1008-1018 Steel Wire.

Application: Designed for use in Pipe hanger assemblies. It can also be used with the A 333 turnbuckle. Rod has left hand threads on one end and right hand threads on the other end.

Ordering: Specify part number and rod size.



AW 921 THREADED ROD LEFT & RIGHT THREADS

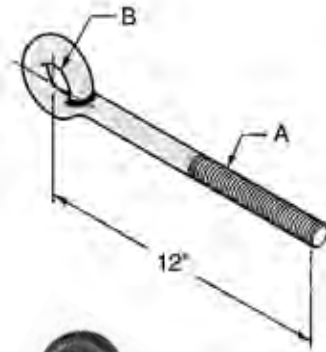
A		B	
Thread Size	mm		mm
3/8	9.5	2-1/2	64
1/2	13	2-1/2	64
5/8	16	2-1/2	64
3/4	19	3	76
7/8	20	3-1/2	89
1	25	4	102
1-1/8	28	4-1/2	114
1-1/4	32	5	127
1-1/2	38	6	152
1-3/4	44	7	178
2	50	8	203
2-1/4	57	9	229
2-1/2	64	10	254
2-3/4	70	11	279
3	76	12	305
3-1/4	83	13	330
3-1/2	89	14	356
3-3/4	95	15	381



THREADED PRODUCTS

A W922 Welded Eye Rod Right Hand Thread

Material:	A-1008-1018 Steel Wire.
Application:	Designed for use in hanger supports to eliminate possible bending of threaded rod.
Ordering:	Specify part number and rod size.



AW 922 WELDED EYE ROD RIGHT HAND THREAD

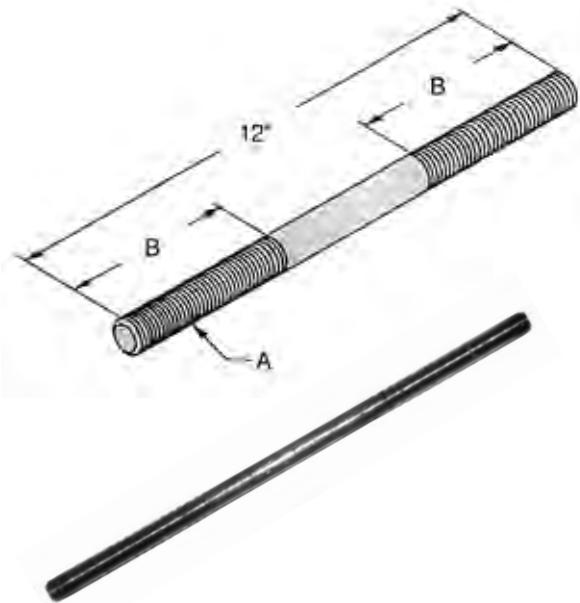
A		B	
Treaded Size	mm	Eye I.D.	mm
3/8	9.5	1/2	13
1/2	13	5/8	16
5/8	16	3/4	19
3/4	19	7/8	20
7/8	20	1	25
1	25	1-1/8	28
1-1/8	28	1-1/4	32
1-1/4	32	1-1/2	38
1-1/2	38	1-3/4	44
1-3/4	44	2	50
2	50	2-1/4	57



THREADED PRODUCTS

A W923 Hanger Rod Right Hand Thread

Material:	A-1008-1018 Steel Wire.
Application:	Designed for use in pipe hanger assemblies.
Ordering:	Specify part number and rod size.



AW 923 THREADED ROD RIGHT HAND THREADS

A		B	
Thread Size	mm		mm
3/8	9.5	2-1/2	64
1/2	13	2-1/2	64
5/8	16	2-1/2	64
3/4	19	3	76
7/8	20	3-1/2	89
1	25	4	102
1-1/8	28	4-1/2	114
1-1/4	32	5	127
1-1/2	38	6	152
1-3/4	44	7	178
2	50	8	203
2-1/4	57	9	229
2-1/2	64	10	254
2-3/4	70	11	279
3	76	12	305
3-1/4	83	13	330
3-1/2	89	14	356
3-3/4	95	15	381



THREADED PRODUCTS

A 01/02 Swivel Nuts

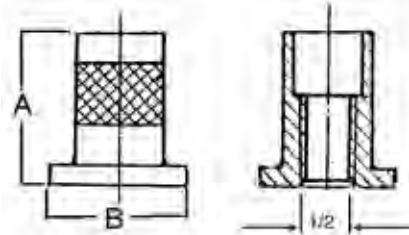
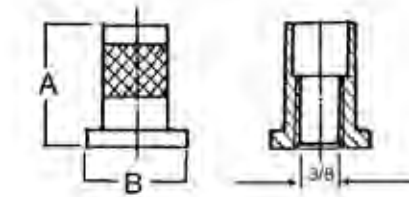
Material: Zinc Plated Carbon Steel.

Application: Nut used for A 100 swivel Ring Hanger which allows for vertical adjustment.

Ordering: Specify figure number and rod size.
A 01 for 3/8" A 02 for 1/2" rod.



A 01



A 02

A 01/02 SWIVEL NUTS

FIG#	SIZE		A		B	
		mm		mm		mm
A-01	3/8	10	7/8	22	11/16	17.5
A-02	1/2	13	1-1/8	28	1	25



THREADED PRODUCTS

A 03 Hex Nuts

Material: Zinc plated carbon steel.

Ordering: Specify figure number and rod size.



A03 HEX NUTS

Size		Weight/100	
	mm	Lbs.	kg
1/4	6	0.74	0.34
3/8	10	1.6	0.73
1/2	13	3.75	1.7
5/8	16	7.33	3.33
3/4	19	11.9	5.41
7/8	22	19	8.64
1	25	28.3	12.9



THREADED PRODUCTS

A 04 Washer

Material: Zinc plated carbon steel.

Ordering: Specify figure number and size.



A 04 WASHERS

Size		Weight/100	
	mm	Lbs.	kg
1/4	6	0.6	0.3
3/8	10	1.3	0.6
1/2	13	3.7	1.7
5/8	16	7.8	3.5
3/4	19	10	4.5
7/8	22	13.9	6.3
1	25	17	7.7



THREADED PRODUCTS

A 05 Wood Drive Screws

Material:	Zinc plated carbon steel.
Application:	For fastening light load attachments to wood beams.
Ordering:	Specify figure number and screw size #2



A 05 WOOD DRIVE SCREW

Size	Length		Wgt/100		Box Qty
		mm		kg	
16	2	50	2.2	1	2000





Our Commitment.

At CCTF, our commitment for more than fifty years has been to the wholesale distributor—not the end user. We don't believe that chipping away at your business will better ours. Instead, our mandate is to provide you with the best quality products available on the market, and service that exceeds your highest expectations. That's how we build our business—and help you to build yours.

For the ultimate in pipe and piping components, contact CCTF today.

DELTA
#4 – 480 Audley Boulevard
Annacis Business Park
Delta, B.C. V3M 5S4
(604) 540-6177
1-866-540-6177

EDMONTON
5407 – 53 Avenue NW
Edmonton, Alberta
T6B 3G2
(780) 463-8700
1-800-661-3633

OAKVILLE
1387 Cornwall Road
Oakville, Ontario
L6J 7T5
(905) 842-CCTF (2283)
1-888-399-CCTF (2283)

