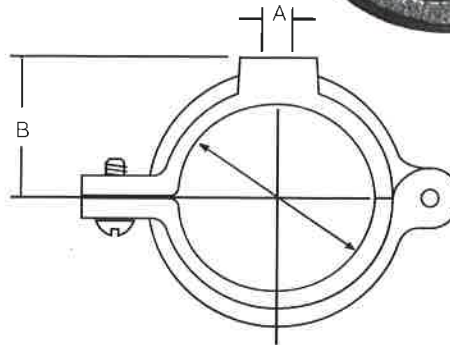


STANDARD & COMMERCIAL PIPE HANGERS

A 131 Split Ring Hanger - Hinged

Material :	Zinc Plated Malleable Iron.
Application:	Designed for suspending non-insulated pipe horizontally.
Ordering:	Specify pipe size, and figure number.
Approvals:	Complies with Manufacturers Standardization Society SP – 69 Type 12.



A131 SPLIT RING HANGER

SIZE		"A"		"B"		Max Rec Load	Box Qty
in	mm	in	mm	in	mm		
1/2	13	3/8	10	15/16	24	180	100
3/4	19	3/8	10	1	26	180	50
1	25	3/8	10	1-1/8	30	180	50
1-1/4	32	3/8	10	1-3/8	35	180	50
1-1/2	38	3/8	10	1-9/16	39	180	50
2	50	3/8	10	1-11/16	46	180	50
2-1/2	64	1/2	13	2-3/16	55	300	25
3	76	1/2	13	2-7/16	62	300	25
4	102	1/2	13	3-1/16	78	300	20

