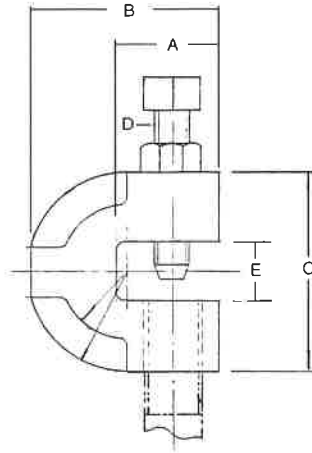


STANDARD & COMMERCIAL PIPE HANGERS

A 410 C-Clamp

- Material : Malleable Iron.
- Application: Designed for attachment to standard I-Beams where the beam thickness does not exceed 5/8".
- Ordering: Specify pipe size, and figure number.
- Approvals: Complies with Manufacturers Standardization Society SP – 69 Type 19.



A410 C-CLAMP													
SIZE		"A"		"B"		"C"		"D"		"E"		Max Rec Load	Box Qty
in	mm	in	mm	in	mm	in	mm	in	mm	in	mm		
3/8	10	13/16	21	1-3/4	45	1-3/4	45	3/8	10	3/4	20	350	50
1/2	13	14/16	22	1-3/4	45	1-3/4	45	3/8	10	3/4	20	500	50
5/8	16	1-1/8	28	2-1/8	54	2-5/16	58	3/8	10	3/4	20	550	50
3/4	19	1-3/16	30	2-1/8	54	2-5/16	58	3/8	10	3/4	20	630	50

