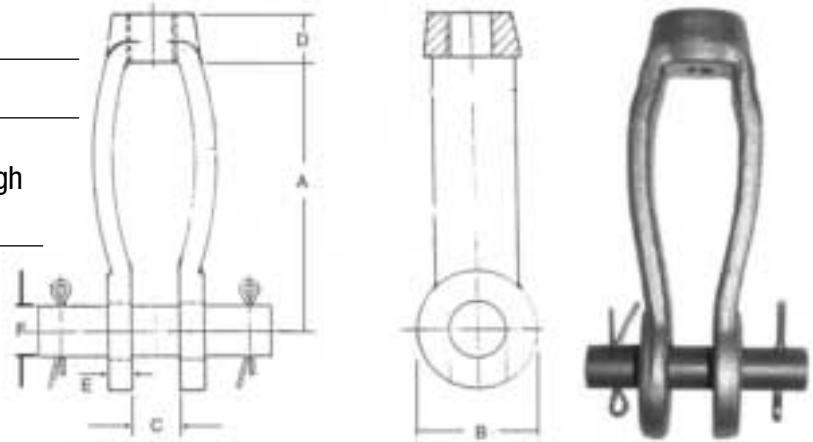


## INDUSTRIAL HANGERS & CLAMPS

### A 339 Forged Steel Clevis

- Material:** Forged Steel
- Application:** Designed as an adjustable hanger rod connection for high temperature pipe runs.
- Ordering:** Specify figure number and rod size
- Approvals:** Complies with Manufacturers' Standardization Society SP - 69 Type 14.



### A 339 FORGED STEEL CLEVIS

SIZE	A		B		C		D		E		F		Max Rec Load		Box Qty	
	mm	mm	mm	mm	mm	mm	mm	mm	mm	mm	mm	650°F	750°F			
3/8	10	3-5/8	92	1-9/16	40	1/2	13	5/8	16	5/16	8	1/2	12.7	610	1,540	1
1/2	13	3-5/8	92	1-9/16	40	1/2	13	5/8	16	5/16	8	5/8	15.8	1,130	1,610	1
5/8	16	3-5/8	92	1-9/16	40	5/8	16	5/8	16	5/16	8	3/4	19	1,810	1,610	1
3/4	19	5	127	2-1/2	64	3/4	19	1	25	3/8	9.5	7/8	22.2	2,710	2,420	1
7/8	22	5	127	2-1/2	64	7/8	22	1	25	3/8	9.5	1	25.4	3,770	3,360	1
1	25	5	127	3	76	1	25	1-1/4	32	1/2	13	1-1/8	28.5	4,960	4,420	1
1-1/4	32	5	127	3	76	1-1/4	32	1-1/4	32	1/2	13	1-3/8	34.9	8,000	7,140	1
1-1/2	38	6	152	3-5/8	92	1-1/2	38	1-5/8	41	1/2	13	1-5/8	41.2	11,630	10,370	1
1-3/4	44	6	152	4	102	1-3/4	44	1-3/4	44	1/2	13	1-7/8	47.6	15,700	14,000	1
2	50	7	178	5	127	1-1/2	64	2-1/4	57	5/8	16	2-1/4	57	20,700	18,460	1

