

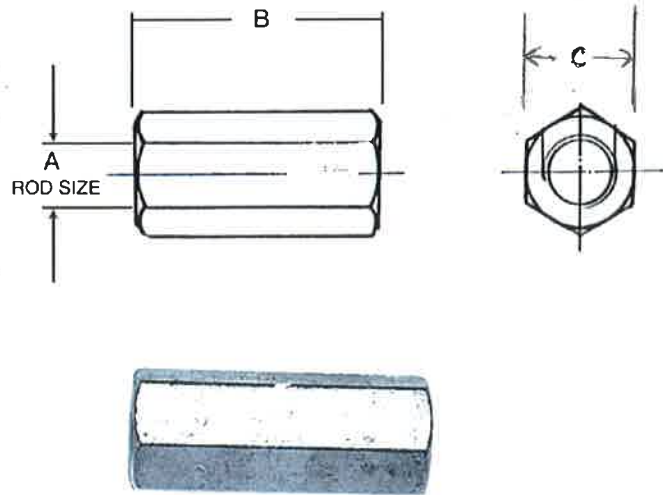
FIRE PROTECTION & WATERWORKS HANGERS

A 450 Steel Rod Couplings

Material : Zinc Plated Carbon Steel.

Application: Rod couplings are used to join two pieces of threaded rod together in order to support a pipe hanger holding pipe.

Ordering : Specify figure number and rod size required.



A450 STEEL ROD COUPLINGS						
"A"		"B"		"C"		Box Qty
in	mm	in	mm	in	mm	
1/4	6	7/8	22	3/8	10	200
3/8	10	1-3/4	44	9/16	14	200
1/2	13	1-3/4	44	11/16	17	100
5/8	16	2	50	13/16	20	100
3/4	19	2-1/4	57	1	25	Bulk
7/8	22	2-1/2	64	1-1/4	32	Bulk
1	25	2-1/2	64	1-1/4	32	Bulk
1-1/4	32	3	76	1-5/8	41	Bulk
1-1/2	38	3	76	2	51	Bulk

