

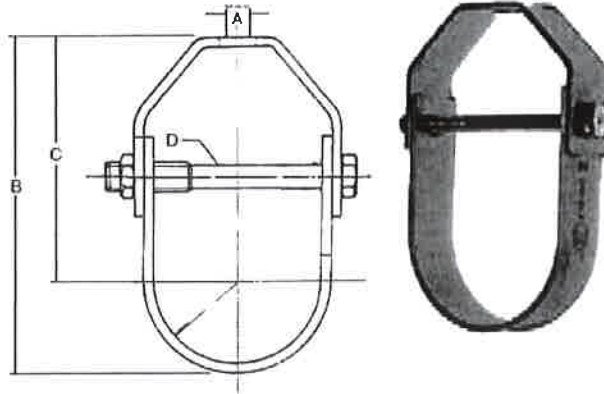
# AURORA BRAND

PIPE HANGERS BY **CCTF**

## STANDARD & COMMERCIAL PIPE HANGERS

### A 310 C Light Duty Copper Clevis Hanger

- Material : Copper Electroplated Carbon Steel.
- Application : Designed for suspending copper tubing lines. Design of hanger allows for vertical adjustment.
- Ordering : Specify figure number and pipe size.



### A 310C LIGHT DUTY COPPER CLEVIS HANGER

SIZE		"A"		"B"		"C"		"D"		Lower Material		Upper Material		Max Rec Load	Box Qty
in	mm	in	mm	in	mm	in	mm	in	mm	in	mm	in	mm		
1/2	13	3/8	10	2-13/16	71	2-7/16	62	1/4	6	3/32x7/8	2x22	3/32x7/8	2x22	150	50
3/4	19	3/8	10	3	76	2-1/2	63	1/4	6	3/32x7/8	2x22	3/32x7/8	2x22	150	50
1	25	3/8	10	3-5/16	84	2-11/16	68	1/4	6	3/32x7/8	2x22	3/32x7/8	2x22	250	50
1-1/4	32	3/8	10	3-11/16	93	2-15/16	74	1/4	6	3/32x7/8	2x22	3/32x7/8	2x22	250	50
1-1/2	38	3/8	10	4	101	3-1/16	78	1/4	6	3/32x7/8	2x22	3/32x7/8	2x22	250	50
2	50	3/8	10	4-7/16	112	3-1/4	83	1/4	6	3/32x7/8	2x22	3/32x7/8	2x22	250	50
2-1/2	64	1/2	13	5-3/8	136	3-15/16	100	3/8	10	1/8x1-3/16	3x30	1/8x1-3/16	3x30	350	25
3	76	1/2	13	6	152	4-5/16	110	3/8	10	1/8x1-3/16	3x30	1/8x1-3/16	3x30	350	25
3-1/2	89	1/2	13	6-5/8	168	4-11/16	119	3/8	10	1/8x1-3/16	3x30	1/8x1-3/16	3x30	350	25
4	102	5/8	17	7-1/2	190	5-5/16	134	3/8	10	1/8x1-3/16	3x30	3/16x1-3/16	5x40	400	25

