

# AURORA BRAND

PIPE HANGERS BY CCTF

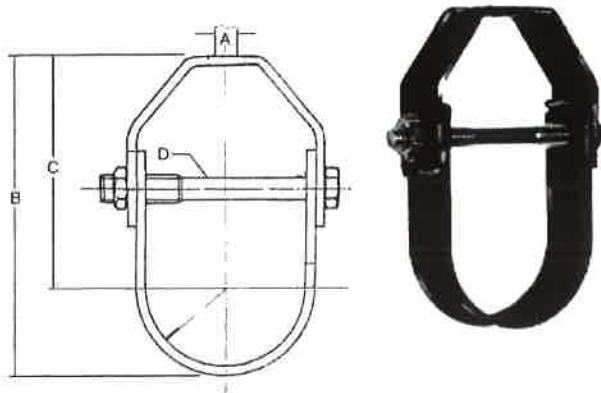
## STANDARD & COMMERCIAL PIPE HANGERS

### A 280E Light Duty Epoxy Coated Clevis Hanger

Material : Epoxy Coated Carbon Steel

Application : Designed for suspending light stationary pipe allowing for vertical adjustment. Epoxy coating is for preventing contact between tubing and the hanger. Can also be used for steel pipe

Ordering : Specify figure number and pipe size. Only available in sizes 1/2" thru 4"



### A 280E LIGHT DUTY EPOXY CLEVIS HANGER

CP SIZE		IP SIZE		"A"		"B"		"C"		"D"		Lower Material		Upper Material		Max Rec Load	Box Qty
in	mm	in	mm	in	mm	in	mm	in	mm	in	mm	in	mm	in	mm		
1/2CP	13	3/8IP	10	3/8	10	2-13/16	71	2-7/16	62	1/4	6	3/32x7/8	2x22	3/32x7/8	2x22	250	50
3/4CP	19	1/2IP	13	3/8	10	3	76	2-1/2	63	1/4	6	3/32x7/8	2x22	3/32x7/8	2x22	250	50
1CP	25	3/4IP	19	3/8	10	3-5/16	84	2-11/16	68	1/4	6	3/32x7/8	2x22	3/32x7/8	2x22	250	50
1-1/4CP	32	1IP	25	3/8	10	3-11/16	93	2-15/16	74	1/4	6	3/32x7/8	2x22	3/32x7/8	2x22	250	50
1-1/2CP	38	1-1/4IP	32	3/8	10	4	101	3-1/16	78	1/4	6	3/32x7/8	2x22	3/32x7/8	2x22	250	50
2CP	50	1-1/2IP	38	3/8	10	4-7/16	112	3-1/4	83	1/4	6	3/32x7/8	2x22	3/32x7/8	2x22	250	50
--	--	2IP	50	3/8	10	4-7/16	112	3-1/8	80	1/4	6	3/32x7/8	2x22	3/32x7/8	2x22	250	50
2-1/2CP	64	--	--	1/2	13	5-3/8	136	3-15/16	100	3/8	10	1/8x1-3/16	3x30	1/8x1-3/16	3x30	350	25
--	--	2-1/2IP	64	1/2	13	5-3/8	136	3-3/4	96	3/8	10	1/8x1-3/16	3x30	1/8x1-3/16	3x30	350	25
3CP	76	--	--	1/2	13	6	152	4-5/16	110	3/8	10	1/8x1-3/16	3x30	1/8x1-3/16	3x30	350	25
--	--	3IP	76	1/2	13	6	152	4-1/8	104	3/8	10	1/8x1-3/16	3x30	1/8x1-3/16	3x30	350	25
4CP	102	--	--	1/2	13	7-1/2	190	5-5/16	134	3/8	10	1/8x1-3/16	5x30	1/8x1-3/16	3x30	400	25
--	--	4IP	102	1/2	13	7-1/2	190	5-1/16	129	3/8	10	1/8x1-3/16	5x30	1/8x1-3/16	3x30	400	25

