

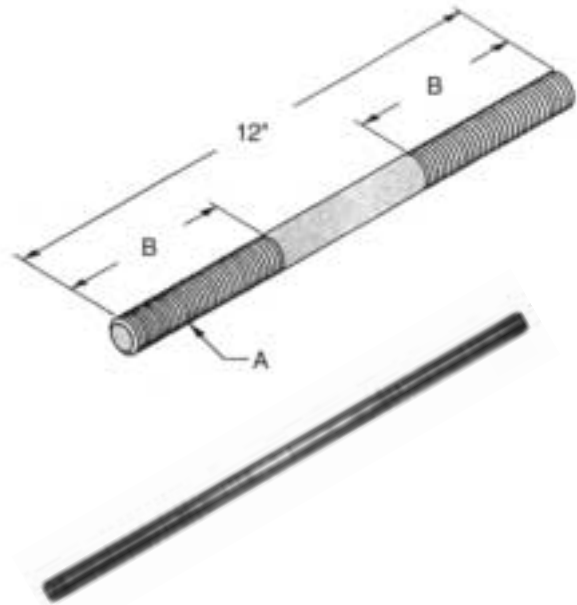
THREADED PRODUCTS

A W923 Hanger Rod Right Hand Thread

Material: A-1008-1018 Steel Wire.

Application: Designed for use in pipe hanger assemblies.

Ordering: Specify part number and rod size.



AW 923 THREADED ROD RIGHT HAND THREADS

A		B	
Thread Size	mm		mm
3/8	9.5	2-1/2	64
1/2	13	2-1/2	64
5/8	16	2-1/2	64
3/4	19	3	76
7/8	20	3-1/2	89
1	25	4	102
1-1/8	28	4-1/2	114
1-1/4	32	5	127
1-1/2	38	6	152
1-3/4	44	7	178
2	50	8	203
2-1/4	57	9	229
2-1/2	64	10	254
2-3/4	70	11	279
3	76	12	305
3-1/4	83	13	330
3-1/2	89	14	356
3-3/4	95	15	381

