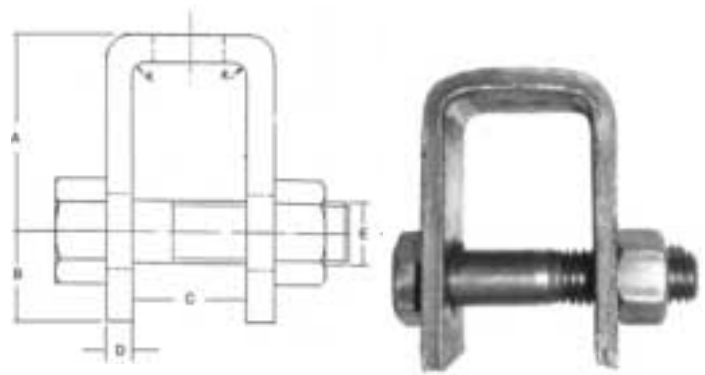


HANGER ATTACHMENTS AND STRUT PRODUCTS

A 330-B Heavy Duty Beam Attachment with Bolt

Material:	Carbon Steel
Application:	Designed for attaching hanger rod to the bottom of structural steel where heavy loads and large hanger rod sizes are required. Can be welded in place in either upright or inverted position.
Ordering:	Specify figure number and rod size
Approvals:	Complies with Manufacturers' Standardization Society SP - 69 Type 22.



A 330B HEAVY DUTY BEAM ATTACHMENT

Size	A		B		C		D		E		Box Qty	
	mm	mm	mm	mm	mm	mm	mm	mm	mm			
3/8	10	2-1/8	54	7/8	22	1-5/8	41	1/4x2	6x50	1/2x3	13x76	20
1/2	13	2-1/8	54	7/8	22	1-5/8	41	1/4x2	6x50	1/2x3	16x76	20
5/8	16	2-1/8	54	7/8	22	1-11/16	43	1/4x2	6x50	3/4x3	19x76	20
3/4	19	2-3/8	60	1-1/8	28	1-11/16	43	3/8x2-1/2	10x64	7/8x3-1/2	22x89	15
7/8	22	3-1/8	79	1-1/4	32	2	51	3/8x2-1/2	10x64	1x4	25x102	10
1	25	3-1/4	83	1-1/2	38	2	51	1/2x3	12x76	1-1/8x4-3/4	28x120	10
1-1/8	29	3-1/2	89	1-1/2	38	2-3/8	60	1/2x3	12x76	1-1/4x4-3/4	32x120	1
1-1/4	32	3-1/2	89	2	50	2-1/2	64	5/8x4	16x102	1-1/2x6	38x152	1
1-1/2	38	4	102	2-1/2	64	3	76	3/4x4	18x102	1-3/4x7-1/8	44x180	1
1-3/4	44	5	127	2-3/4	70	3-3/4	95	3/4x5	18x127	2x8-5/8	50x220	1
2	50	5	127	3-1/4	83	3-3/4	95	3/4x6	18x152	2-1/4x8-5/8	57x220	1
2-1/4	57	6	152	3-1/2	89	4-1/4	108	3/4x6	18x152	2-1/2x9-1/8	64x230	1
2-1/2	64	6	152	3-3/4	95	4-1/2	114	3/4x6	18x152	2-3/4x9-1/2	70x240	1

