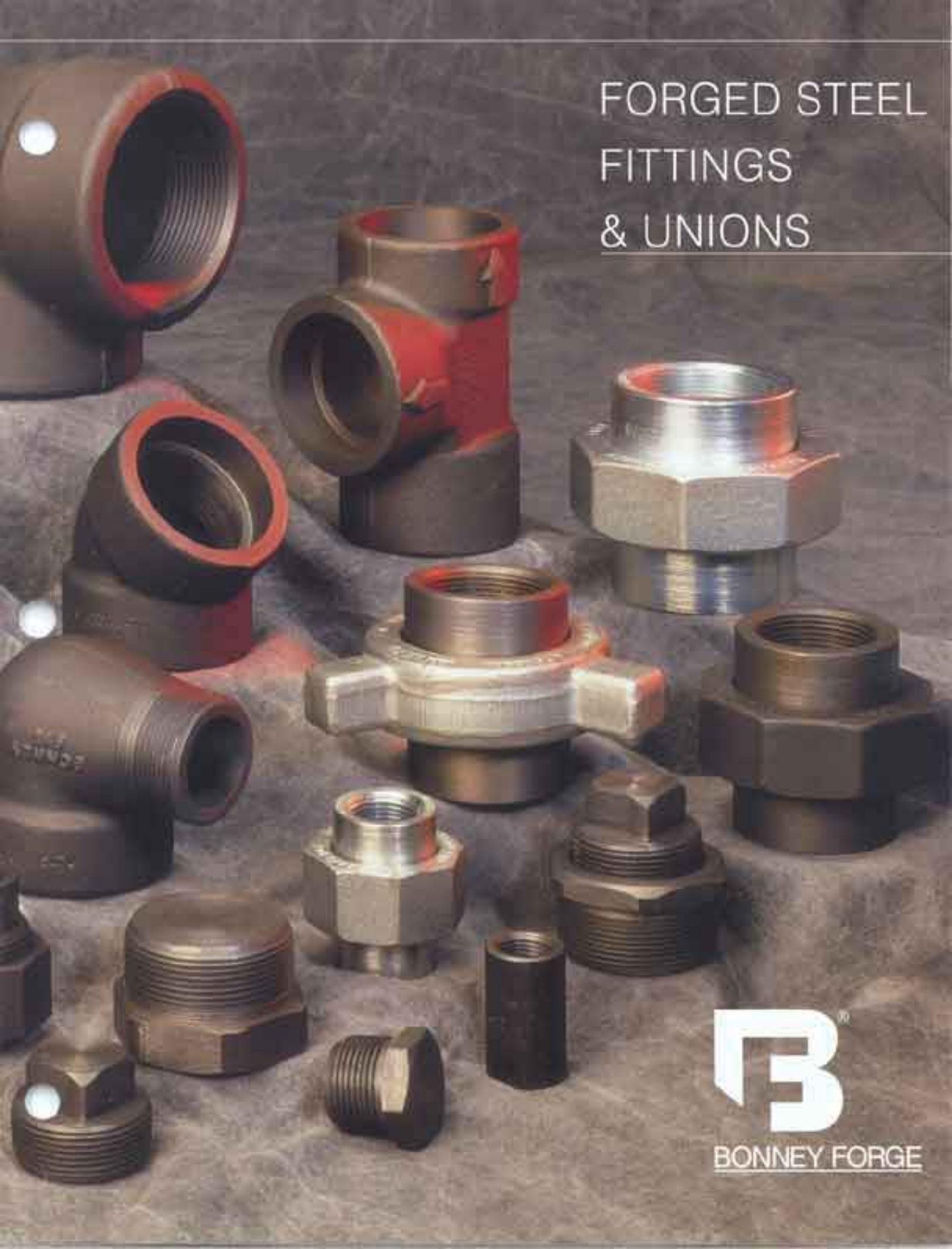


FORGED STEEL
FITTINGS
& UNIONS



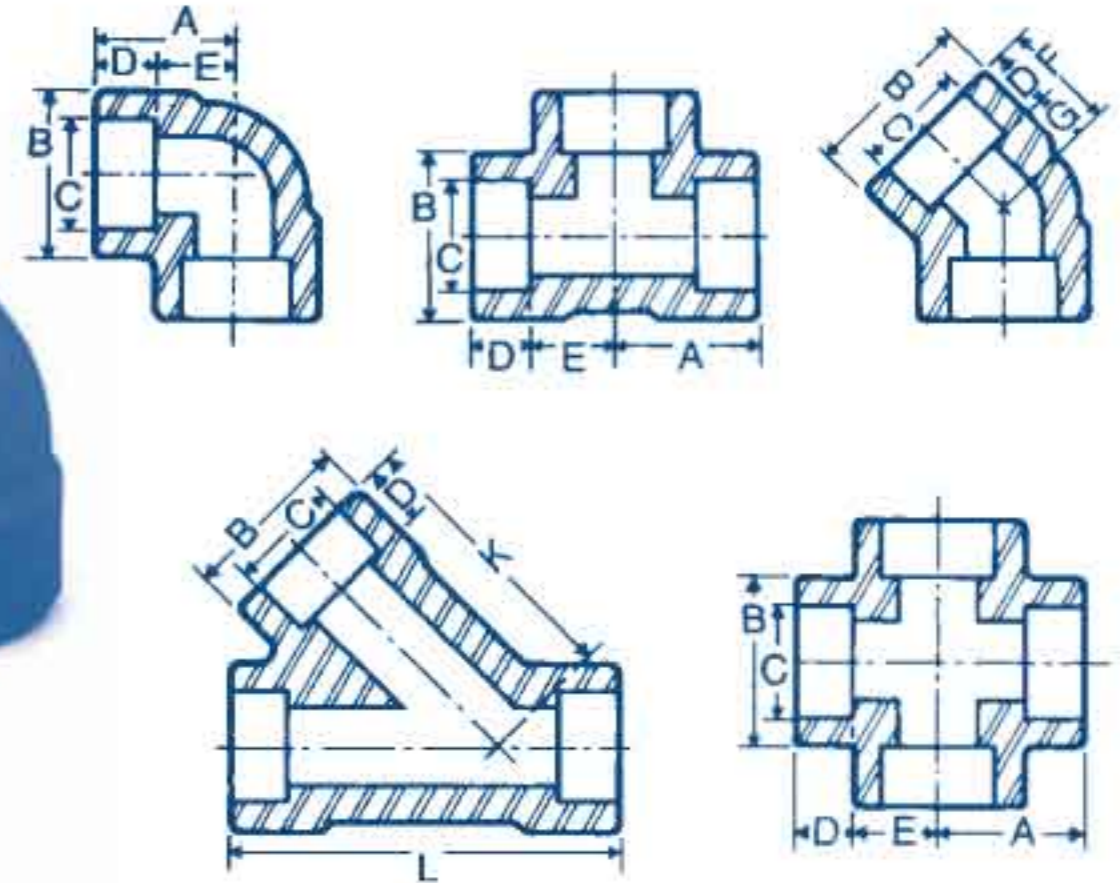
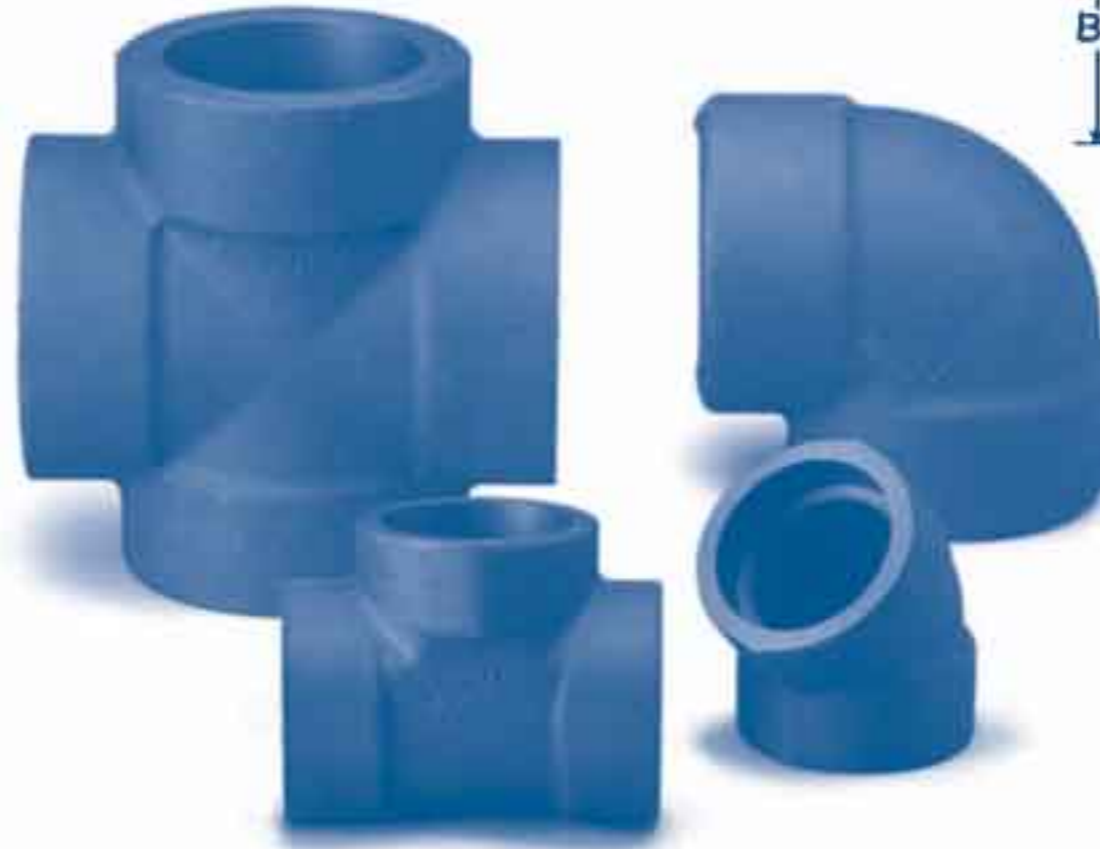
BONNEY FORGE

B SOCKET WELD FITTINGS

BONNEY FORGE

CLASS 3000

CLASS 6000



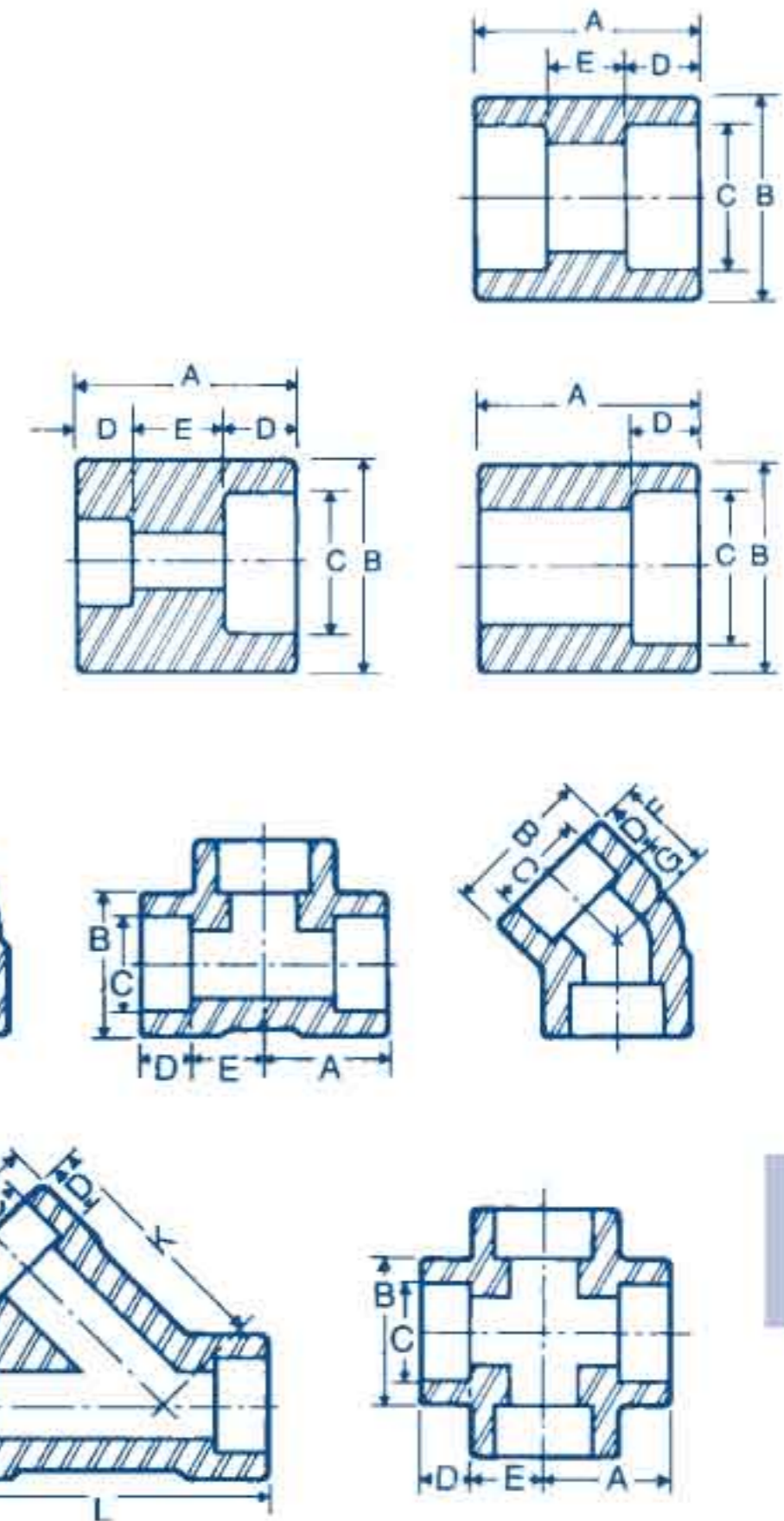
CLASS 3000- Schedule 40 Bore													
DIMENSIONS (Inches)													
NOMINAL PIPE SIZE		1/8	1/4	3/8	1/2	3/4	1	1 1/4	1 1/2	2	2 1/2	3	4
90EL TEE LAT	A	7/8	7/8	31/32	1 1/8	15/16	1 1/2	1 3/4	2	2 3/8	3	3 3/8	4 3/16
	B	29/32	29/32	1 1/16	1 5/16	1 9/16	1 27/32	2 7/32	2 1/2	3 1/32	3 11/16	4 5/16	5 3/4
	(MIN.) D	3/8	3/8	3/8	3/8	1/2	1/2	1/2	1/2	5/8	5/8	5/8	3/4
45EL CROSS	A	7/8	7/8	31/32	1 1/8	15/16	1 1/2	1 3/4	2	2 3/8	3 1/4	3 3/4	4 1/2
	B	29/32	29/32	1 1/16	1 5/16	1 9/16	1 27/32	2 7/32	2 1/2	3 1/32	4	4 3/4	6
	(MIN.) D	3/8	3/8	3/8	3/8	1/2	1/2	1/2	1/2	5/8	5/8	5/8	3/4
	E	7/16	7/16	17/32	5/8	3/4	7/8	1 1/16	1 1/4	1 1/2	1 5/8	2 1/4	2 5/8
	F	3/4	3/4	3/4	1	1 1/8	1 1/4	1 5/16	1 3/8	1 11/16	2 1/16	2 1/2	3 1/8
	G	5/16	5/16	5/16	7/16	1/2	9/16	11/16	13/16	1	1 1/8	1 1/4	1 5/8
	H	1 1/4	1 1/4	1 1/2	1 5/8	1 7/8	2 1/4	2 5/8	2 15/16	3 5/16			
	J	7/8	7/8	1	1 1/8	1 3/8	1 3/4	2	2 1/8	2 1/2			
	K			1 7/8	2 1/8	2 9/16	3	3 1/2	3 15/16	4 3/4			
	L			2 11/16	3	3 9/16	4 1/8	4 13/16	5 3/8	6 7/16			
DIMENSIONS C (common to all fittings)		.420	.555	.690	.855	1.065	1.330	1.675	1.915	2.406	2.906	3.535	4.545
WEIGHT (pounds)													
	90° ELBOW	.125	.183	.270	.460	.698	.987	1.480	2.088	3.125	6.340	10.867	25.00
	45° ELBOW	.125	.198	.210	.440	.673	.935	1.365	1.63	2.71	6.75	10.50	18.188
	TEE	.25	.25	.345	.540	.925	1.307	2.00	2.640	4.070	8.75	12.50	27.80
	STREET ELBOW	.25	.25	.375	.50	.875	1.438	2.25	3.00	5.188			
	LATERAL		.25	.625	1.00	1.500	2.375	3.75	4.125	6.285			
	CROSS	.25	.25	.375	.813	1.125	1.550	2.25	3.063	5.125	18.00	23.00	40.00

CLASS 6000- Schedule 160 Bore													
DIMENSIONS (Inches)													
NOMINAL PIPE SIZE		1/8	1/4	3/8	1/2	3/4	1	1 1/4	1 1/2	2	2 1/2	3	4
A		7/8	31/32	1 1/8	1 5/16	1 1/2	1 3/4	2	2 3/8	2 1/2	3 1/4	3 3/4	4 1/2
	B	29/32	1 1/16	1 5/16	1 9/16	1 27/32	2 7/32	2 1/2	3 1/32	3 11/32	4	4 3/4	6
	(MIN.) D	3/8	3/8	3/8	3/8	1/2	1/2	1/2	1/2	5/8	5/8	5/8	3/4
	E	7/16	17/32	5/8	3/4	7/8	1 1/16	1 1/4	1 1/2	1 5/8	2 1/4	2 1/2	2 3/4
	F	3/4	3/4	1	1 1/8	1 1/4	1 5/16	1 3/8	1 11/16	1 3/4	2 1/16	2 1/2	3 1/8
	G	5/16	5/16	7/16	1/2	9/16	11/16	13/16	1	1 1/8	1 1/4	1 3/8	1 5/8
	H	1 1/4	1 1/2	1 5/8	1 7/8	2 1/4	2 5/8	2 15/16	3 5/16				
	J	7/8	1	1 1/8	1 3/8	1 3/4	2	2 1/8	2 1/2				
	K			2 1/8	2 9/16	3	3 1/2	3 15/16	4 3/4	5			
	L			3	3 9/16	4 1/8	4 13/16	5 3/8	6 7/16	6 5/8			
DIMENSIONS C (common to all fittings)		.420	.555	.690	.855	1.065	1.330	1.675	1.915	2.406	2.906	3.535	4.545
WEIGHT (pounds)													
	90° ELBOW				.938	1.440	2.348	3.188	5.25	6.660	11.875	19.25	32.70
	45° ELBOW				.875	1.313	1.913	2.27	4.313	4.813	9.625	14.25	27.25
	TEE				1.375	2.00	3.313	3.75	7.480	8.240	16.625	23.50	33.00
	STREET ELBOW		.375	.438	1.00	1.625	2.50	3.688	6.438				
	LATERAL				2.00	3.063	5.125	6.25	11.938	12.5			
	CROSS				1.50	2.50	3.460	5.25	8.75	9.438	20.25	27.00	39.00

B[®] SOCKET WELD FITTINGS

BONNEY FORGE

CLASS 9000



CLASS 9000 XXS BORE- 90° ELBOW						
DIMENSIONS (Inches)						
NOMINAL PIPE SIZE	1/2	3/4	1	1 1/4	1 1/2	2
A	1 1/2	1 3/4	2	2 3/8	2 1/2	3
B	1 27/32	2 7/32	2 1/2	3 1/32	3 11/32	3 11/16
(MIN.) D	3/8	1/2	1/2	1/2	1/2	5/8
E	1	1 1/8	1 1/4	1 3/8	1 1/2	2 1/8
WEIGHT (pounds)						
Weight	1.44	2.25	3.19	5.25	6.69	6.69

CLASS 9000 XXS BORE- TEE						
DIMENSIONS (Inches)						
NOMINAL PIPE SIZE	1/2	3/4	1	1 1/4	1 1/2	2
A	1 1/2	1 3/4	2	2 3/8	2 1/2	3
B	1 27/32	2 7/32	2 1/2	3 1/32	3 11/32	3 11/16
(MIN.) D	3/8	1/2	1/2	1/2	1/2	5/8
E	1	1 1/8	1 1/4	1 3/8	1 1/2	2 1/8
WEIGHT (pounds)						
Weight	2.00	3.31	3.75	6.50	7.88	8.75

CLASS 9000 XXS BORE- 45° ELBOW						
DIMENSIONS (Inches)						
NOMINAL PIPE SIZE	1/2	3/4	1	1 1/4	1 1/2	2
B	1 27/32	2 7/32	2 1/2	3 1/32	3 3/8	4
(MIN.) D	5/8	9/16	9/16	13/16	3/4	15/16
F	1 1/4	1 5/16	1 3/8	1 11/16	1 3/4	2 1/16
G	5/8	3/4	13/16	7/8	1	1 1/8
WEIGHT (pounds)						
Weight	1.31	2.06	2.50	4.31	4.81	9.62

CLASS 9000 XXS BORE- LATERAL						
DIMENSIONS (Inches)						
NOMINAL PIPE SIZE	1/2	3/4	1	1 1/4	1 1/2	2
B	1 27/32	2 7/32	2 1/2	3 1/32	3 11/32	
(MIN.) D	9/16	5/8	11/16	7/8	7/8	
K	3	3 1/2	3 15/16	4 3/4	5	
L	4 1/8	4 13/16	5 3/8	6 7/16	6 5/8	
WEIGHT (pounds)						
Weight	1.75	2.38	3.75	6.88	6.88	

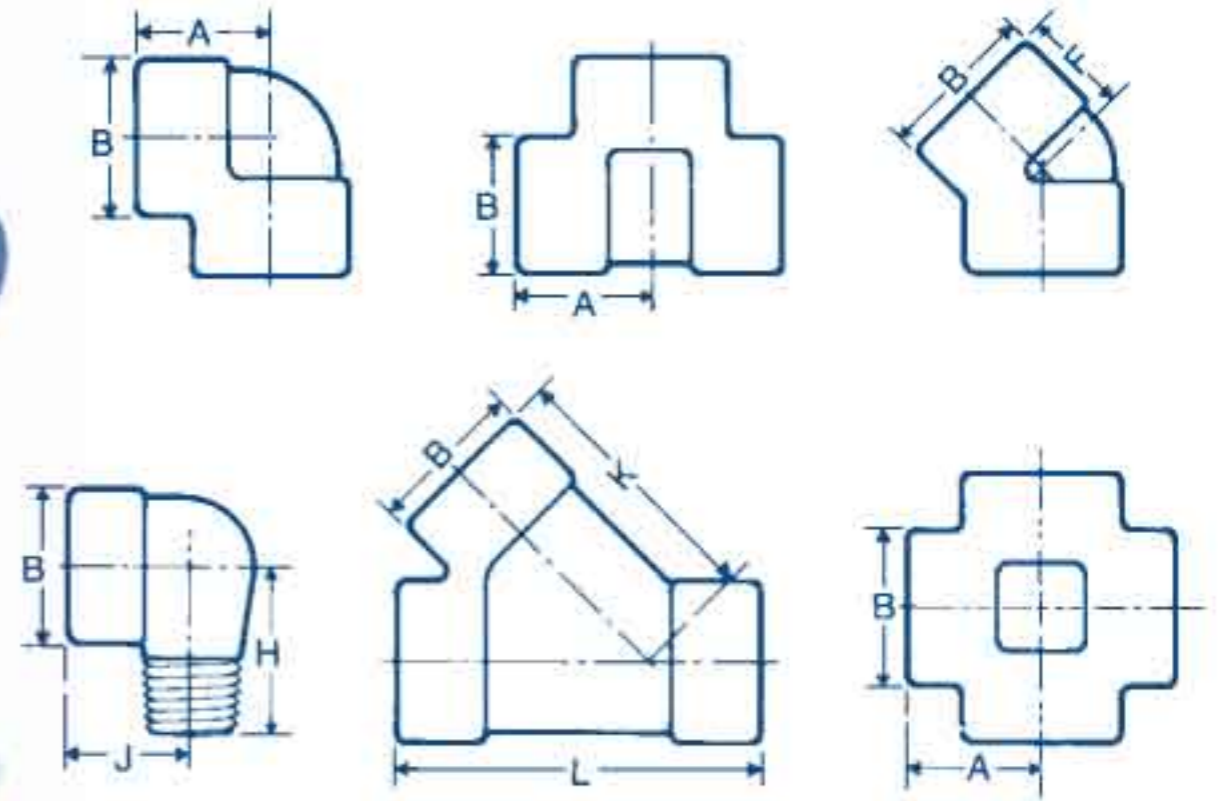
DIMENSIONS C - COMMON TO ALL FITTINGS (inches)						
NOMINAL PIPE SIZE	1/2	3/4	1	1 1/4	1 1/2	2
C	.855	1.065	1.330	1.675	1.915	2.406

CLASS 9000 XXS BORE- CROSS						
DIMENSIONS (inches)						
NOMINAL PIPE SIZE	1/2	3/4	1	1 1/4	1 1/2	2
A	1 1/2	1 3/4	2	2 3/8	2 1/2	3 1/4
B	1 27/32	2 7/32	2 1/2	3 1/32	3 11/32	4
(MIN.) D	1/2	5/8	3/4	1	1	1 1/8
E	1	1 1/8	1 1/4	1 3/8	1 1/2	2 1/8
WEIGHT (pounds)						
Weight	2.50	4.12	4.12	5.12	9.44	22.19

CLASS 9000 XXS BORE- COUPLINGS- REDUCERS- HALF COUPLING						
DIMENSIONS (Inches)						
NOMINAL PIPE SIZE	1/2	3/4	1	1 1/4	1 1/2	2
A	1 3/8	1 1/2	1 3/4	1 7/8	2	2 1/2
B	1 13/16	2	2 3/8	2 3/4	3 1/16	3 5/8
(MIN.) D	1/2	9/16	5/8	11/16	3/4	7/8
E	3/8	3/8	1/2	1/2	1/2	3/4
F						
WEIGHT (pounds)						
Coupling	.75	1.06	1.69	2.22	2.81	4.66
Reducer	.75	1.06	1.69	2.22	2.81	4.66
Half Coupling	.88	1.16	1.88	2.50	3.25	5.38

B[®] THREADED FITTINGS

BONNEY FORGE



CLASS 2000

CLASS 3000

CLASS 6000

DIMENSIONS (inches)													
NOMINAL PIPE SIZE		1/8	1/4	3/8	1/2	3/4	1	1 1/4	1 1/2	2	2 1/2	3	4
CLASS 2000	90EL TEE A		7/8	31/32	1 1/8	15/16	1 1/2	1 3/4	2	2 3/8	3	3 3/8	4 3/16
	STEL LAT B		29/32	1 1/16	15/16	19/16	1 27/32	2 7/32	2 1/2	3 1/32	3 11/16	4 5/16	5 3/4
	F		3/4	3/4	1	1 1/8	1 1/4	1 5/16	1 3/8	1 11/16	2 1/16	2 1/2	3 1/8
45EL CROSS	A		7/8	31/32	1 1/8	15/16	1 1/2	1 3/4	2	2 3/8	3 1/4	3 3/4	4 1/2
	B		29/32	1 1/16	15/16	19/16	1 27/32	2 7/32	2 1/2	3 1/32	4	4 3/4	6
	F		3/4	3/4	1	1 1/8	1 1/4	1 5/16	1 3/8	1 11/16	2 1/16	2 1/2	3 1/8
WEIGHT (pounds)													
	90° ELBOW	.25	.198	.283	.500	.773	1.013	1.550	2.180	3.140	6.50	10.925	26.675
	45° ELBOW	.125	.188	.236	.435	.740	1.058	1.375	1.740	2.883	7.75	11.313	19.125
	TEE	.25	.267	.373	.613	.963	1.355	2.030	2.800	4.456	9.530	12.908	28.700
	CROSS	.50	.50	.460	.777	1.125	1.688	2.450	3.188	5.560	16.438	19.50	32.688

DIMENSIONS (inches)														
NOMINAL PIPE SIZE		1/8	1/4	3/8	1/2	3/4	1	1 1/4	1 1/2	2	2 1/2	3	4	
CLASS 3000	A	7/8	31/32	1 1/8	1 5/16	1 1/2	1 3/4	2	2 3/8	2 1/2	3 1/4	3 3/4	4 1/2	
	B	29/32	1 1/16	1 5/16	1 9/16	1 27/32	2 7/32	2 1/2	3 1/32	3 11/32	4	4 3/4	6	
	F	3/4	3/4	1	1 1/8	1 1/4	1 5/16	1 3/8	1 11/16	1 3/4	2 1/16	2 1/2	3 1/8	
	H	1 1/4	1 1/4	1 1/2	1 5/8	1 7/8	2 1/4	2 5/8	2 15/16	3 5/16				
	J	7/8	7/8	1	1 1/8	1 3/8	1 3/4	2	2 1/8	2 1/2				
	K		1 7/8	2 1/8	2 9/16	3	3 1/2	3 15/16	4 3/4	5				
	L		2 11/16	3	3 9/16	4 1/8	4 13/16	5 3/8	6 7/16	6 5/8				
	WEIGHT (pounds)													
		90° ELBOW	.236	.350	.592	.973	1.355	2.265	2.407	3.50	5.920	11.900	14.438	31.975
		45° ELBOW	.25	.290	.50	.75	1.188	1.988	2.235	3.00	4.930	7.375	13.558	19.063
	TEE	.325	.460	.753	1.270	1.830	3.025	3.620	7.040	7.550	13.125	23.100	40.000	
	STREET ELBOW	.264	.242	.375	.595	1.048	1.438	2.340	3.00	5.461				
	LATERAL		.625	1.313	1.75	2.75	4.625	5.50	10.813	11.5				
	CROSS	.438	.567	.970	1.50	2.50	3.620	4.125	6.50	8.125	16.75	25.675	32	

DIMENSIONS (inches)														
NOMINAL PIPE SIZE		1/8	1/4	3/8	1/2	3/4	1	1 1/4	1 1/2	2	2 1/2	3	4	
CLASS 6000	90EL TEE A	31/32	1 1/8	15/16	1 1/2	1 3/4	2	2 3/8	2 1/2	3 1/4	3 3/4	4 3/16	4 1/2	
	STEL LAT B	1 1/16	15/16	19/16	1 27/32	2 7/32	2 1/2	3 1/32	3 11/32	4	4 3/4	5 3/4	6	
	F	3/4	1	1 1/8	1 1/4	1 5/16	1 3/8	1 11/16	1 3/4	2 1/16	2 1/2	3 1/8	3 1/8	
	H	1 1/4	1 1/2	1 5/8	1 7/8	2 1/4	2 5/8	2 15/16	3 5/16					
	45EL CROSS	A	31/32	1 1/8	15/16	1 1/2	1 3/4	2	2 3/8	2 1/2	3 1/4	3 3/4	4 1/2	4 1/2
		B	1 1/16	15/16	19/16	1 27/32	2 7/32	2 1/2	3 1/32	3 11/32	4	4 3/4	6	6
		F	3/4	1	1 1/8	1 1/4	1 5/16	1 3/8	1 11/16	1 3/4	2 1/16	2 1/2	3 1/8	3 1/8
	J	7/8	1	1 1/8	1 3/8	1 3/4	2	2 1/8	2 1/2					
	K		2 9/16	3	3 1/2	3 15/16	4 3/4	5						
	L		3 9/16	4 1/8	4 13/16	5 3/8	6 7/16	6 5/8						
WEIGHT (pounds)														
	90° ELBOW	.25	.625	1.023	1.625	2.625	3.50	6.75	7.50	13.438	20.875	39.050	38	
	45° ELBOW	.25	.640	.50	1.438	2.188	2.785	4.688	5.75	9.50	15	30.563	29	
	TEE	.50	.853	1.410	2.150	3.563	4.625	7.625	9.625	18.500	28.063	47.500	50	
	STREET ELBOW		.375	.438	1	1.625	3.030	3.688	7.120					
	LATERAL			2.375	3.25	5.438	7.188	12.313	15.95					
	CROSS	.563	1.188	1.50	2.75	4.313	6.625	10.75	11.50	22.188	27.50	54	43.50	

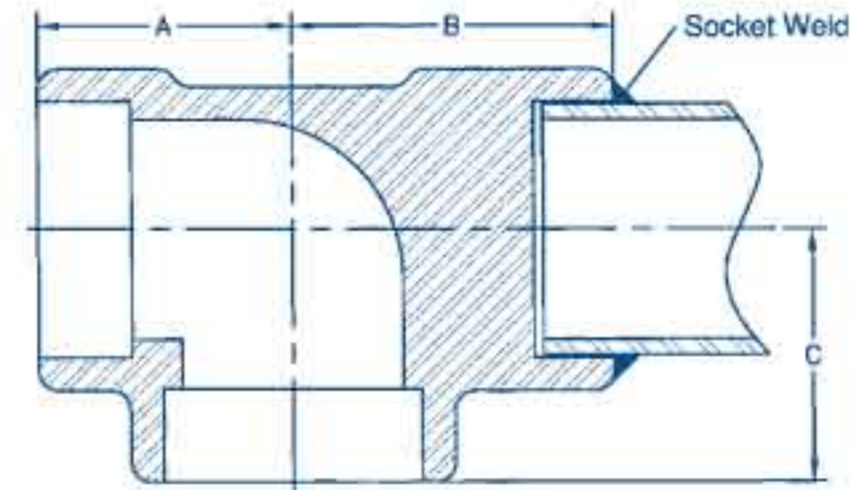
B[®] QUIKLEG90[™] - SOCKET WELD - THREADED - BUTT WELD

BONNEY FORGE

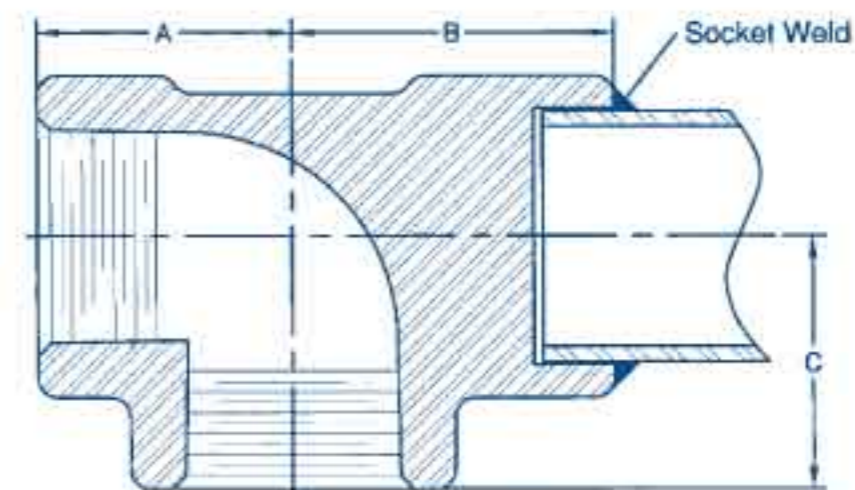
CLASS 3000

CLASS 6000

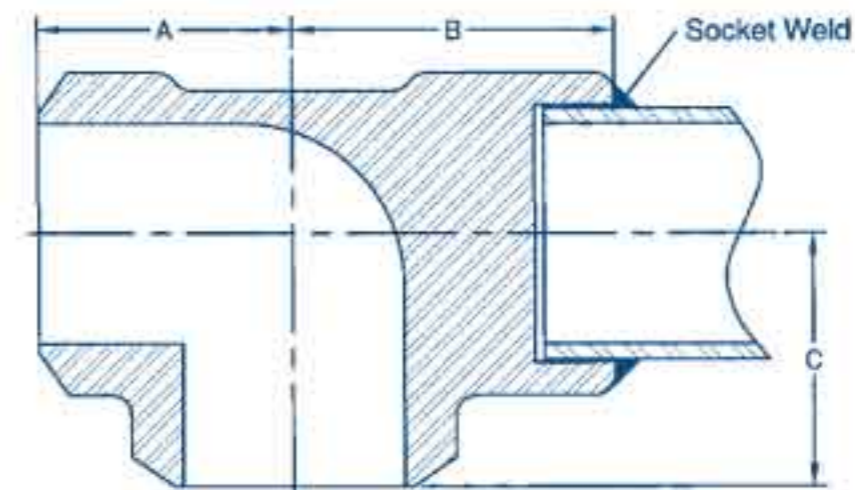
STD-XSTG



Socket Weld



Threaded



Butt Weld

CLASS 3000	DIMENSIONS (Inches)	SOCKET WELD						THREADED					
	NOMINAL PIPE SIZE	1/2	3/4	1	1 1/4	1 1/2	2	1/2	3/4	1	1 1/4	1 1/2	2
	A Nominal	-	1 1/2	1 1/2	1 3/4	2	2 3/8	1 1/2	1 1/2	1 3/4	2	2 3/8	2 1/2
	B Nominal	-	1 7/8	1 7/8	2 3/16	2 1/2	3	1 7/8	1 7/8	2 3/16	2 1/2	3	3 1/8
	C Nominal	-	1 1/2	1 1/2	1 3/4	2	2 3/8	1 1/2	1 1/2	1 3/4	2	2 3/8	2 1/2

CLASS 6000	DIMENSIONS (Inches)	SOCKET WELD						THREADED					
	NOMINAL PIPE SIZE	1/2	3/4	1	1 1/4	1 1/2	2	1/2	3/4	1	1 1/4	1 1/2	2
	A Nominal	-	1 1/2	1 3/4	2	2 3/8	2 1/2	1 1/2	1 3/4	2	2 3/8	2 1/2	-
	B Nominal	-	1 7/8	2 3/16	2 1/2	3	3 1/8	1 7/8	2 3/16	2 1/2	3	3 1/8	-
	C Nominal	-	1 1/2	1 3/4	2	2 3/8	2 1/2	1 1/2	1 3/4	2	2 3/8	2 1/2	-

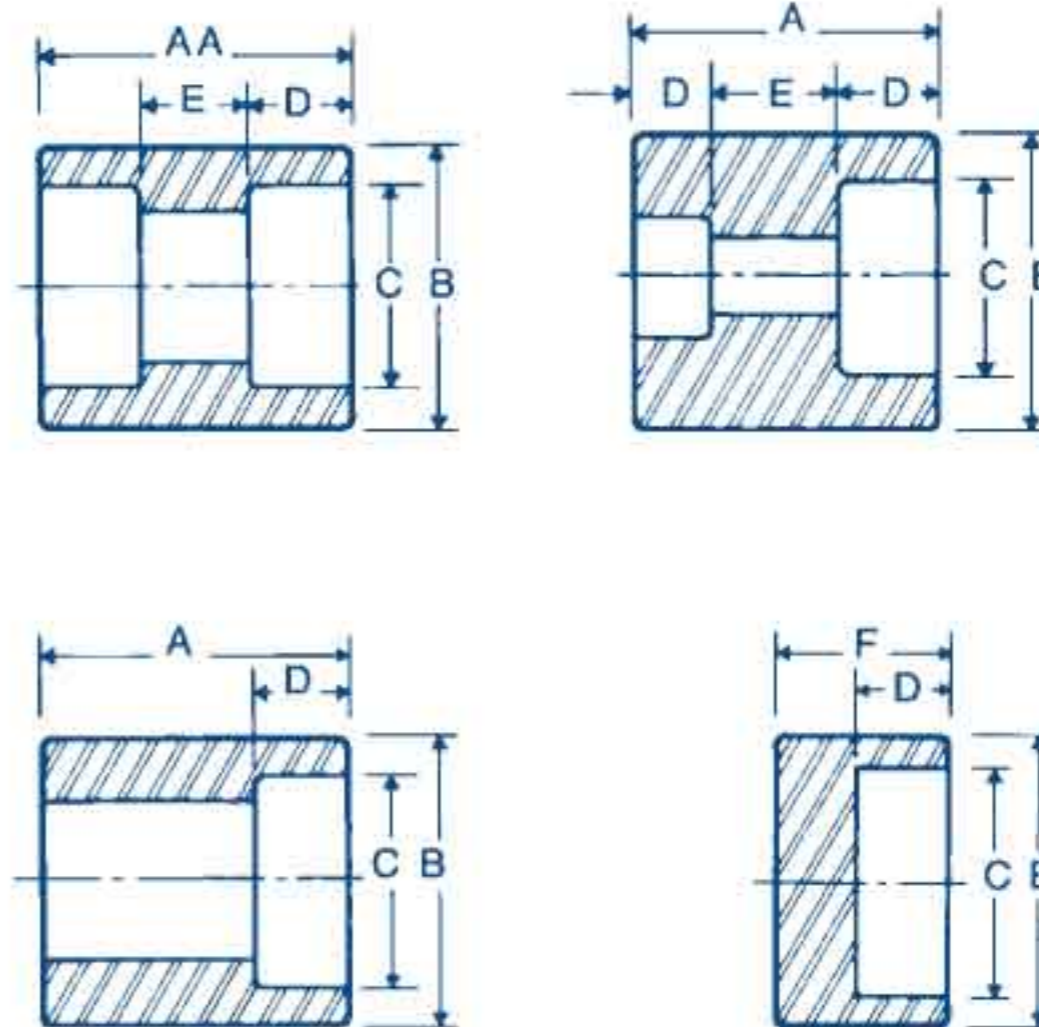
STD-XSTG	DIMENSIONS (Inches)	BUTT WELD							
	NOMINAL PIPE SIZE	2	2 1/2	3	4				
	A Nominal	2 3/8	3	3 3/8	4 3/16				
	B Nominal	3	3	3 3/8	4 3/16				
	C Nominal	2 3/8	3	3 3/8	4 3/16				

B[®] SOCKET WELD COUPLINGS, REDUCERS & CAPS

BONNEY FORGE

CLASS 3000

CLASS 6000



CLASS 3000												
DIMENSIONS (inches)												
NOMINAL PIPE SIZE	1/8	1/4	3/8	1/2	3/4	1	1 1/4	1 1/2	2	2 1/2	3	4
A	1 1/8	1 1/8	1 1/8	1 3/8	1 1/2	1 3/4	1 7/8	2	2 1/2	2 1/2	2 3/4	3
AA	1 1/32	1 1/32	1 1/32	1 9/64	1 13/32	1 33/64	1 33/64	1 33/64	2 1/64	2 1/64	2 1/64	2 17/64
B	3/4	7/8	1 1/16	1 1/4	1 1/2	1 13/16	2 1/4	2 1/2	3	3 5/8	4 5/16	5 1/2
C	.420	.555	.690	.855	1.065	1.330	1.675	1.915	2.406	2.906	3.535	4.545
D	7/16	7/16	7/16	1/2	9/16	5/8	11/16	3/4	7/8	7/8	1	1 1/8
E	1/4	1/4	1/4	3/8	3/8	1/2	1/2	1/2	3/4	3/4	3/4	3/4
F	11/16	3/4	3/4	7/8	1	1 1/16	1 3/16	1 1/4	1 1/2	1 9/16	1 13/16	2 1/16
WEIGHT (pounds)												
COUPLING	.125	.125	.125	.188	.313	.563	.813	1	2	2.625	3.875	6.625
REDUCER	.125	.125	.125	.188	.313	.563	.813	1	2	2.625	3.875	6.625
HALF COUPLING	.125	.125	.125	.188	.313	.563	.813	1	2	2.625	3.875	6.625
PIPE CAP	.063	.063	.125	.188	.313	.563	.813	1.125	1.688	3	3.625	6.688

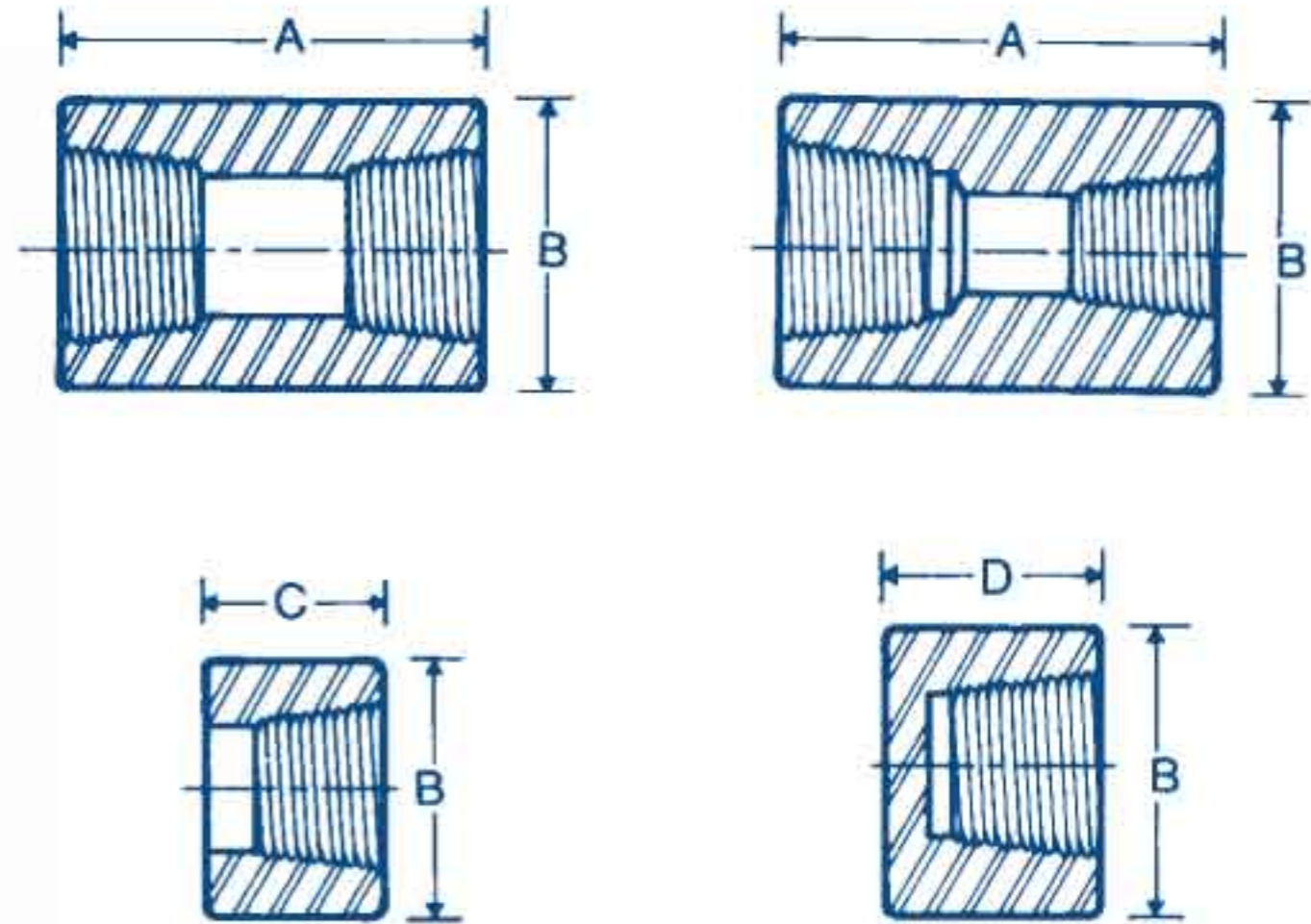
CLASS 6000												
DIMENSIONS (inches)												
NOMINAL PIPE SIZE	1/4	3/8	1/2	3/4	1	1 1/4	1 1/2	2	2 1/2	3	4	
A	1 1/8	1 1/8	1 3/8	1 1/2	1 3/4	1 7/8	2	2 1/2	2 1/2	2 3/4	3	
AA	1 1/8	1 1/8	1 5/32	1 13/32	1 33/64	1 33/64	1 33/64	2 1/64	2 1/64	2 1/64	2 17/64	
B	1 1/16	1 5/16	1 1/2	1 3/4	2 1/4	2 1/2	3	3 5/8	4 1/4	5	6 1/4	
C	.555	.690	.855	1.065	1.330	1.675	1.915	2.406	2.906	3.535	4.545	
D	7/16	7/16	1/2	9/16	5/8	11/16	3/4	7/8	7/8	1	1 1/8	
E	1/4	1/4	3/8	3/8	1/2	1/2	1/2	3/4	3/4	3/4	3/4	
F	15/16	15/16	1	1 1/16	1 1/4	1 5/16	1 3/8	1 5/8	1 11/16	1 15/16	2 5/16	
WEIGHT (pounds)												
COUPLING			.375	.563	1	1.438	2	3.875	5.50	6.625	13.125	
REDUCER			.375	.563	1	1.438	2	3.875	5.50	6.625	13.125	
HALF COUPLING			.375	.563	1	1.438	2	3.875	5.50	6.625	13.125	
PIPE CAP			.375	.50	1.125	1.125	2.25	3.50	5.625	6	13.50	

B[®] THREADED COUPLINGS, REDUCERS & CAPS

BONNEY FORGE

CLASS 3000

CLASS 6000



CLASS 3000												
DIMENSIONS (inches)												
NOMINAL PIPE SIZE	1/8	1/4	3/8	1/2	3/4	1	1 1/4	1 1/2	2	2 1/2	3	4
A	1 1/4	1 3/8	1 1/2	1 7/8	2	2 3/8	2 5/8	3 1/8	3 3/8	3 5/8	4 1/4	4 3/4
B	3/4	3/4	7/8	1 1/8	1 3/8	1 3/4	2 1/4	2 1/2	3	3 5/8	4 1/4	5 1/2
C	5/8	11/16	3/4	15/16	1	1 3/16	1 5/16	1 9/16	1 11/16	1 13/16	2 1/8	2 3/8
D	15/16	1	1	1 1/4	1 7/16	1 5/8	1 3/4	1 3/4	1 7/8	2 3/8	2 9/16	2 11/16
WEIGHT (pounds)												
COUPLING	.125	.125	.25	.25	.438	.625	1.563	2.188	3.125	4	6.75	16.75
REDUCER	.125	.125	.25	.25	.438	.625	1.563	2.188	3.125	4	6.75	16.75
HALF COUPLING	.063	.063	.188	.188	.25	.313	.75	1.125	1.563	2	3.375	8.375
PIPE CAP	.031	.063	.125	.25	.313	.50	1	1.625	3.125	5	8.50	14

CLASS 6000												
DIMENSIONS (inches)												
NOMINAL PIPE SIZE	1/8	1/4	3/8	1/2	3/4	1	1 1/4	1 1/2	2	2 1/2	3	4
A	1 1/4	1 3/8	1 1/2	1 7/8	2	2 3/8	2 5/8	3 1/8	3 3/8	3 5/8	4 1/4	4 3/4
B	7/8	1	1 1/4	1 1/2	1 3/4	2 1/4	2 1/2	3	3 5/8	4 1/4	5	6 1/4
C	5/8	11/16	3/4	15/16	1	1 3/16	1 5/16	1 9/16	1 11/16	1 13/16	2 1/8	2 3/8
D	1	1 1/16	1 1/16	1 5/16	1 1/2	1 11/16	1 13/16	1 7/8	2	2 1/2	2 11/16	2 15/16
WEIGHT (pounds)												
COUPLING	.188	.188	.25	.50	1	2.125	2.375	4.375	7.75	10.75	13.50	24.50
REDUCER	.188	.188	.25	.50	1	2.125	2.375	4.375	7.75	10.75	13.50	24.50
HALF COUPLING	.094	.094	.125	.25	.50	1.063	1.188	2.188	3.875	5.375	6.75	12.25
PIPE CAP	.125	.125	.188	.313	.438	.75	1.313	1.688	3.25			

B[®] SOCKET WELD REDUCERS INSERTS (MSS-SP79)

BONNEY FORGE

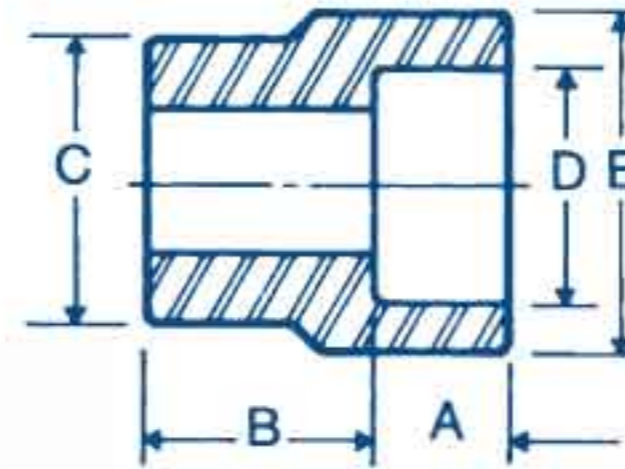
CLASS 3000

CLASS 6000

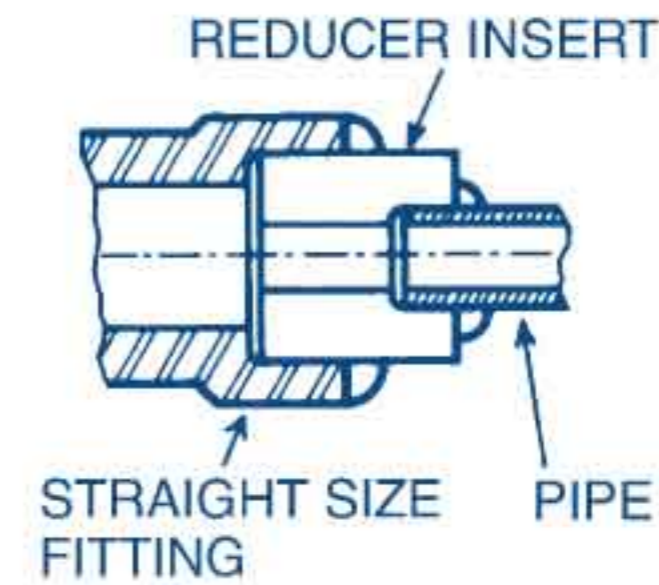
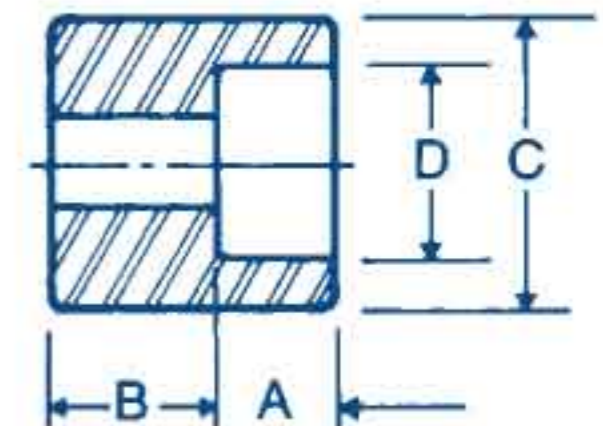
CLASS 9000



TYPE 1



TYPE 2



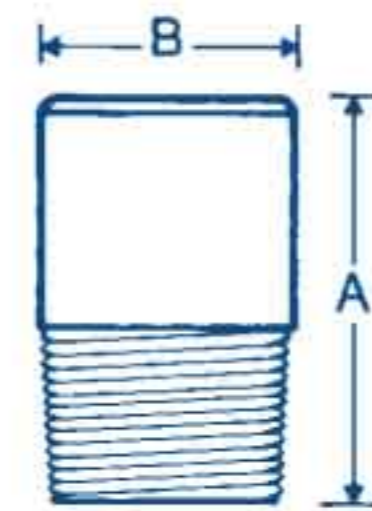
NOMINAL PIPE SIZE	CLASS 3000						CLASS 6000				CLASS 9000			
	C	D	Ftg. Type	A	B	E	Ftg. Type	A	B	E	Ftg. Type	A	B	E
3/8 x 1/4	.675	.555	1	7/16	3/4	15/16	1	7/16	7/8	1				
1/2 x 3/8	.850	.690	1	7/16	13/16	11/16	1	7/16	15/16	13/16				
1/2 x 1/4	.850	.555	1	7/16	13/16	15/16	1	7/16	7/8	1				
3/4 x 1/2	1.060	.855	1	7/16	7/8	15/16	1	7/16	11/16	13/8	1	7/16	13/16	1 3/4
3/4 x 3/8	1.060	.690	2	7/16	5/8	-	1	7/16	7/8	13/16				
3/4 x 1/4	1.060	.555	2	3/8	11/16	-	2	3/8	7/8	-				
1 x 3/4	1.325	1.065	1	9/16	15/16	1 1/2	1	9/16	1 1/8	1 11/16	1	9/16	1 1/4	2
1 x 1/2	1.325	.855	2	1/2	5/8	-	1	7/16	1 1/8	1 3/8	1	7/16	1 1/8	1 3/4
1 x 3/8	1.325	.690	2	7/16	11/16	-	2	1/2	7/8	-				
1 x 1/4	1.325	.555	2	3/8	3/4	-	2	3/8	15/16	-				
1 1/4 x 1	1.670	1.330	1	9/16	1	1 7/8	1	9/16	1 3/16	2	1	9/16	1 3/8	2 3/8
1 1/4 x 3/4	1.670	1.065	2	9/16	11/16	-	2	9/16	13/16	-	1	9/16	1 3/16	2
1 1/4 x 1/2	1.670	.855	2	1/2	3/4	-	2	1/2	7/8	-	2	1/2	7/8	-
1 1/4 x 3/8	1.670	.690	2	7/16	13/16	-	2	7/16	15/16	-				
1 1/4 x 1/4	1.670	.555	2	3/8	7/8	-	2	3/8	1	-				
1 1/2 x 1 1/4	1.910	1.675	1	9/16	1 1/8	2 1/4	1	9/16	1 3/8	2 3/8	1	9/16	1 5/8	2 3/4
1 1/2 x 1	1.910	1.330	2	5/8	11/16	-	1	9/16	1 3/16	2	1	9/16	1 3/8	2 3/8
1 1/2 x 3/4	1.910	1.065	2	9/16	3/4	-	2	9/16	1	-	2	9/16	1	-
1 1/2 x 1/2	1.910	.855	2	1/2	13/16	-	2	1/2	1 1/16	-	2	9/16	1	-
1 1/2 x 3/8	1.910	.690	2	7/16	7/8	-	2	7/16	1 1/8	-				
2 x 1 1/2	2.385	1.915	1	9/16	1 1/4	2 1/2	1	9/16	1 7/8	2 11/16	1	9/16	2 1/16	3
2 x 1 1/4	2.385	1.675	2	11/16	13/16	-	2	7/8	15/16	-	1	9/16	2	2 3/4
2 x 1	2.385	1.330	2	5/8	7/8	-	2	13/16	1	-	2	13/16	1	-
2 x 3/4	2.385	1.065	2	9/16	15/16	-	2	3/4	1 1/16	-	2	3/4	1 1/16	-
2 x 1/2	2.385	.855	2	1/2	1	-	2	11/16	1 1/8	-	2	11/16	1 1/8	-

Note: Socket Weld Reducer Inserts comply fully with MSS-SP-79

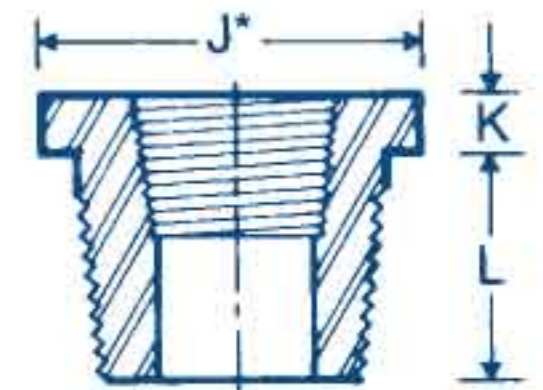
B[®] THREADED PLUGS & BUSHINGS

BONNEY FORGE

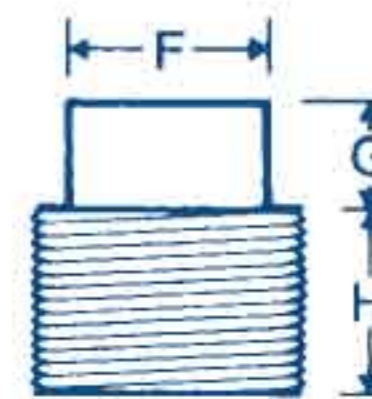
CLASS 3000/6000



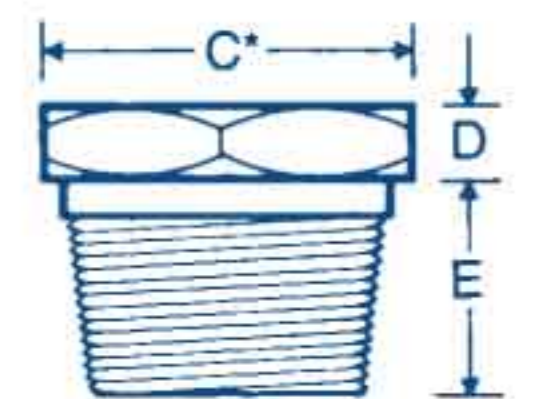
Round Head Plug



Hexagon Bushing



Square Head Plug



Hexagon Plug



Flush Bushing

DIMENSIONS (inches)												
NOMINAL PIPE SIZE	1/8	1/4	3/8	1/2	3/4	1	1 1/4	1 1/2	2	2 1/2	3	4
A	1 3/8	1 5/8	1 5/8	1 3/4	1 3/4	2	2	2	2 1/2	2 3/4	2 3/4	3
B	13/32	17/32	11/16	27/32	1 1/16	1 5/16	1 11/16	1 29/32	2 3/8	2 7/8	3 1/2	4 1/2
C *	7/16	5/8	11/16	7/8	1 1/16	1 7/16	1 13/16	2	2 1/2	3	3 3/4	4 5/8
D	1/4	1/4	5/16	5/16	3/8	3/8	9/16	5/8	11/16	3/4	13/16	1 1/4
E	7/16	1/2	9/16	11/16	3/4	27/32	7/8	15/16	1	1 1/4	1 9/16	1 21/32
F	9/32	3/8	7/16	9/16	5/8	1 3/16	15/16	1 1/8	1 5/16	1 1/2	1 11/16	2 1/2
G	1/4	1/4	5/16	3/8	7/16	1/2	9/16	5/8	11/16	3/4	13/16	1 1/4
H	3/8	7/16	1/2	9/16	5/8	3/4	13/16	13/16	7/8	1 1/16	1 1/8	1 3/8
J		5/8	11/16	7/8	1 1/16	1 7/16	1 13/16	2	2 1/2	3	3 3/4	4 5/8
K		3/16	3/16	3/16	1/4	1/4	3/8	3/8	3/8	1/2	13/16	1 1/4
L		1/2	9/16	11/16	3/4	27/32	7/8	15/16	1	1 1/4	1 9/16	1 21/32
M		7/16	1/2	9/16	5/8	3/4	13/16	13/16	7/8	1 1/16	1 1/8	1 1/4
N	3/8	7/16	1/2	9/16	5/8	3/4	13/16	13/16	7/8	1 1/16	1 1/8	1 1/4
WEIGHT (pounds)												
ROUND HEAD PUGS	.125	.125	.188	.250	.375	.750	1.125	1.563	3.00	4.75	7.62	12.87
HEXAGON PLUGS	.063	.063	.125	.188	.313	.500	1.125	1.375	2.25	3.87	5.87	13.00
SQUARE HEAD PLUGS	.016	.031	.063	.125	.188	.313	.563	.875	1.50	2.25	2.87	7.18
HEXAGON BUSHINGS		.063	.063	.063	.125	.188	.375	.688	1.62	2.37	3.50	8.31
FLUSH BUSHINGS		.063	.063	.063	.125	.125	.125	.188	.37	.62	1.00	2.00

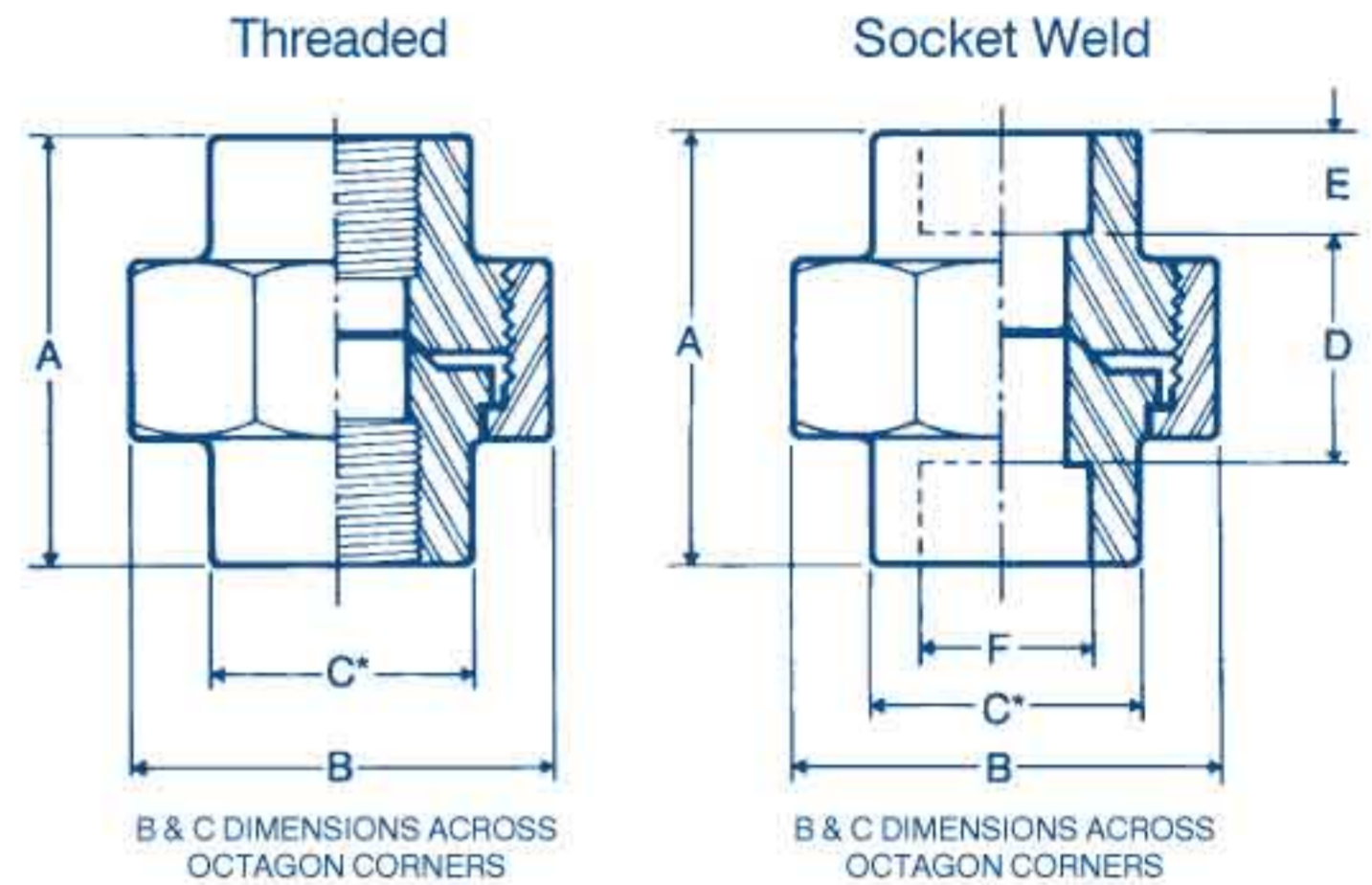
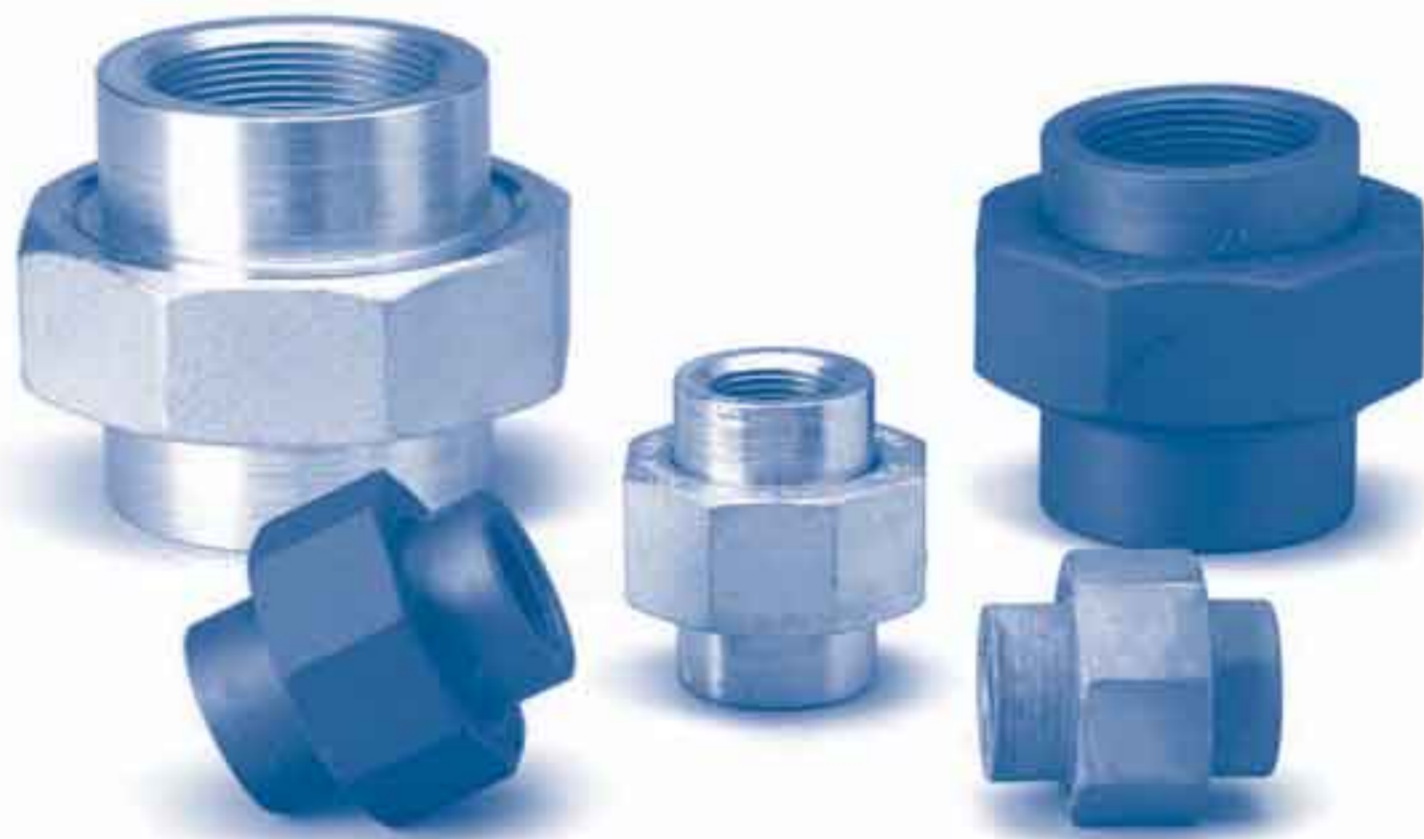
* Dimension J for Hex Head Bushing and dimension C for Hex Head Plug are the same.

B[®] MSS-SP-83 UNIONS - THREADED & SOCKET WELD

BONNEY FORGE

CLASS 3000

CLASS 6000



* "C" dimension is across octagon corners or a diameter as applicable. The 2 1/2" and 3" 3000 and 2" 6000 sizes have octagonal male and female ends; the other sizes are round.

CLASS 3000											
DIMENSIONS (inches)											
NOMINAL PIPE SIZE	1/8	1/4	3/8	1/2	3/4	1	1 1/4	1 1/2	2	2 1/2	3
A	1 11/16	1 11/16	1 27/32	2	2 5/16	2 7/16	2 7/8	3	3 1/2	4 1/4	4 7/16
B	1 31/64	1 31/64	1 11/16	1 15/16	2 3/8	2 25/32	3 23/64	3 23/32	4 27/64	5 15/64	6 5/32
C	53/64	53/64	1	1 3/16	1 15/32	1 25/32	2 7/32	2 35/64	3 1/16	3 9/16	4 9/32
D	25/32	25/32	31/32	1 3/32	1 5/32	1 3/8	1 45/64	1 7/8	2 1/16	2 3/8	2 7/16
E	7/16	7/16	7/16	7/16	9/16	9/16	9/16	9/16	11/16	7/8	1
F	.420	.555	.690	.855	1.065	1.330	1.675	1.915	2.406	2.906	3.535
WEIGHT PER UNION (pounds)											
	.38	.36	.50	.695	1.175	1.64	2.59	3.41	5.12	8.75	12.625

CLASS 6000										
DIMENSIONS (inches)										
NOMINAL PIPE SIZE	1/8	1/4	3/8	1/2	3/4	1	1 1/4	1 1/2	2	
A	1 11/16	1 27/32	2	2 5/16	2 7/16	2 7/8	3	3 1/2	4 1/8	
B	1 31/64	1 11/16	1 15/16	2 3/8	2 25/32	3 23/64	3 23/32	4 27/64	5 15/64	
C	53/64	1	1 3/16	1 15/32	1 25/32	2 7/32	2 35/64	3 1/16	3 9/16	
D	25/32	31/32	1 3/32	1 5/32	1 3/8	1 45/64	1 7/8	2 1/16	2 3/8	
E	7/16	7/16	7/16	9/16	9/16	9/16	9/16	11/16	7/8	
F	.420	.555	.690	.855	1.065	1.330	1.675	1.915	2.406	
WEIGHT PER UNION (pounds)										
	.5	.56	.75	1.25	1.75	3	3.75	6.0	10.5	

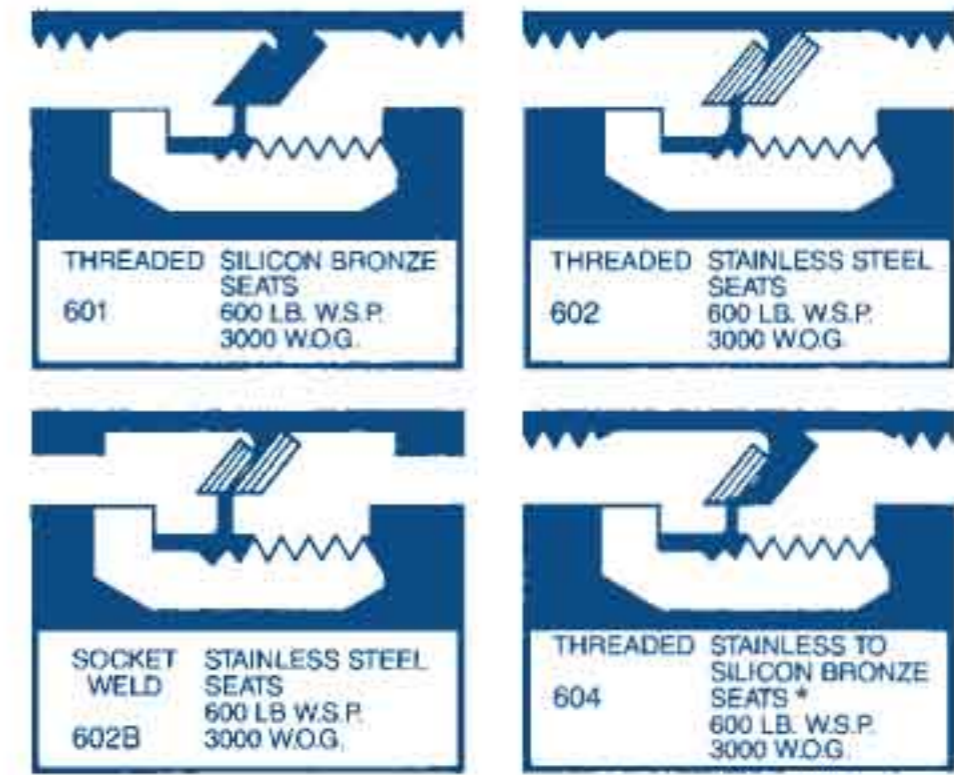
TYPE 601

TYPE 602

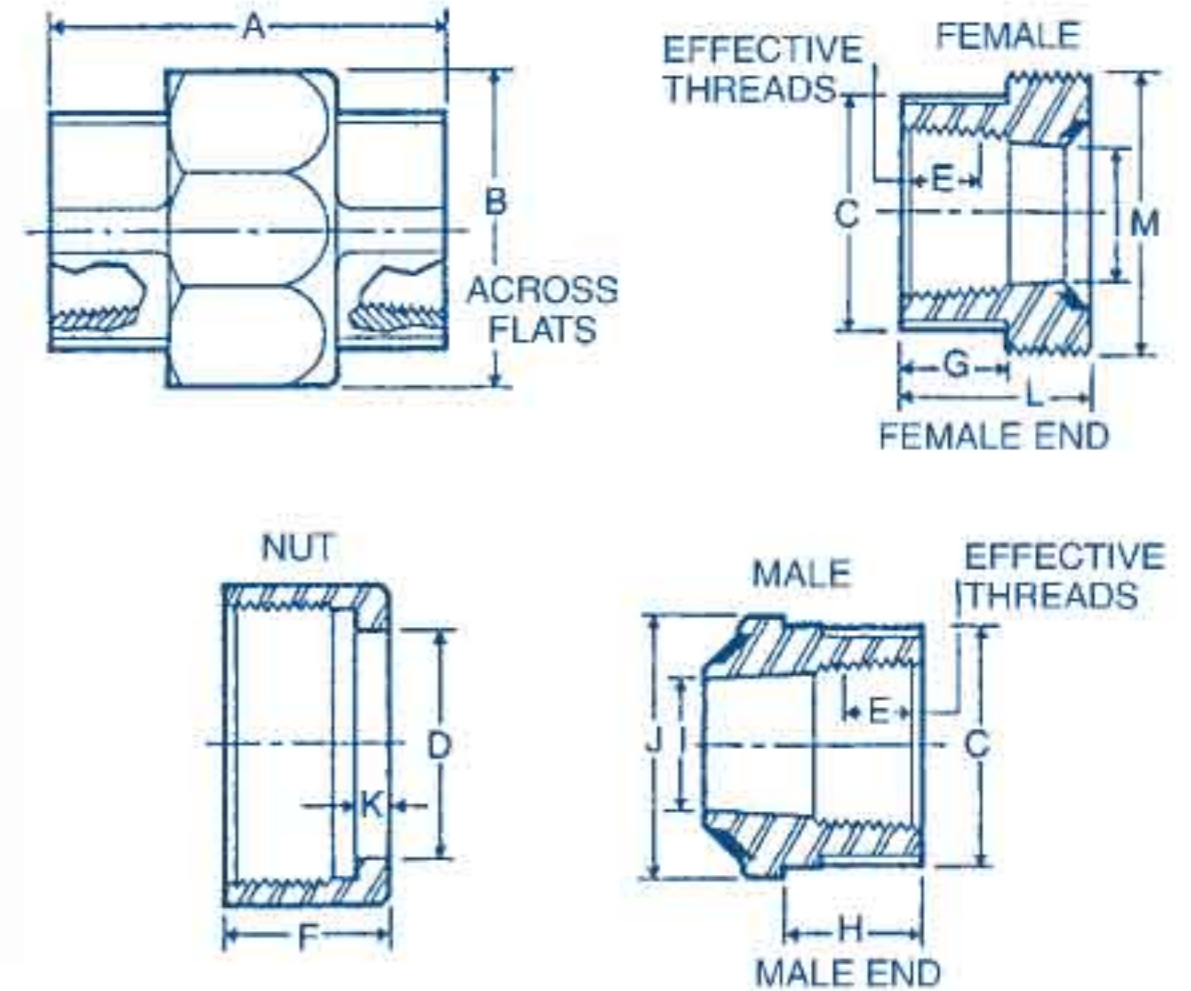
TYPE 602B

TYPE 604

- Ball to cone seats for smooth alignment.
- Can be cracked and rejoined- repeatedly.
- Replaceable, interchangeable parts.
- Carbon Steel, coated to resist corrosion.
- Stays sealed, despite shock, vibration, expansion and rough wrenching.
- Silicon bronze and stainless steel seats double locked under 120,000 lb. psi.
- Conveniently packaged.
- Suitable for use with Schedule 40/80 pipe.
- 100% hydro tested.



* Preferred over bronze to carbon steel seated unions.



DIMENSIONS (inches)										
NOMINAL PIPE SIZE	1/8 18-NPT	1/4 18-NPT	3/8 18-NPT	1/2 14-NPT	3/4 14-NPT	1 11 1/2-NPT	1 1/4 11 1/2-NPT	1 1/2 11 1/2-NPT	2 11 1/2-NPT	
A	1 3/4	1 3/4	2	2 1/4	2 7/16	2 11/16	2 31/32	3 1/8	3 11/16	
B	1 1/4	1 1/4	1 7/16	1 21/32	2	2 3/8	2 3/4	3	3 23/32	
C	3/4	3/4	7/8	1 3/32	1 25/64	1 5/8	2	2 9/32	2 51/64	
D	51/64	51/64	15/16	1 11/64	1 7/16	1 23/32	2 3/32	2 11/32	2 7/8	
E	.264	.402	.408	.534	.548	.683	.707	.724	.757	
F	3/4	3/4	13/16	1	1 1/16	1 3/32	1 19/64	1 21/64	1 15/32	
G	1/2	1/2	9/16	11/16	3/4	27/32	7/8	1	1 7/32	
H	19/32	19/32	3/4	25/32	29/32	1 1/16	1 5/32	1 7/32	1 7/16	
I	21/64	3/8	1/2	5/8	27/32	1 1/16	1 13/32	1 21/32	2 1/16	
J	29/32	29/32	1 1/16	1 5/16	1 37/64	1 13/16	2 1/4	2 1/2	3 1/16	
K	1/8	1/8	1/8	3/16	7/32	7/32	9/32	9/32	19/64	
L	7/8	7/8	15/16	1 1/8	1 3/16	1 5/16	1 7/16	1 1/2	1 25/32	
M	1.035	1.035	1.164	1.437	1.693	1.975	2.416	2.649	3.221	
STYLE NUT	Hex	Hex	Hex	Hex	Octagon	Octagon	Octagon	Octagon	Octagon	
WEIGHT PER UNION (pounds)										
	.32	.30	.40	.72	1.10	1.5	2.2	2.6	4.6	

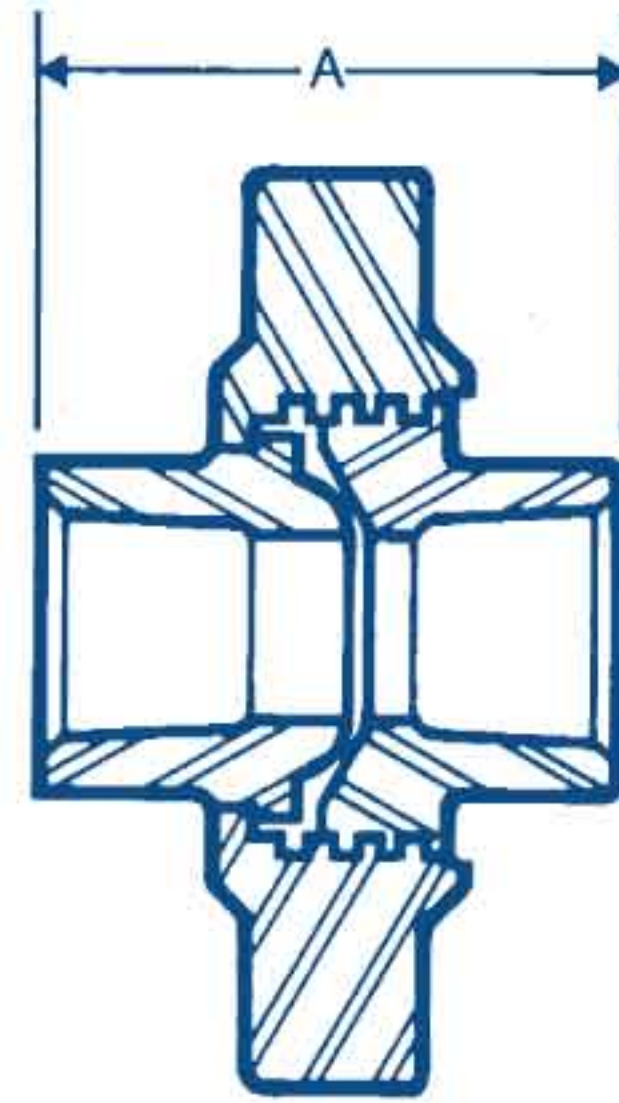
DIMENSIONS (inches)										
NOMINAL PIPE SIZE	1/8 18-NPT	1/4 18-NPT	3/8 18-NPT	1/2 14-NPT	3/4 14-NPT	1 11 1/2-NPT	1 1/4 11 1/2-NPT	1 1/2 11 1/2-NPT	2 11 1/2-NPT	
DEPTH SOCKET	7/16	7/16	7/16	1/2	1/2	9/16	9/16	9/16	11/16	
SOCKET DIAMETER	.420	.555	.690	.855	1.065	1.330	1.675	1.915	2.406	
STYLE NUT	Hex	Hex	Hex	Hex	Octagon	Octagon	Octagon	Octagon	Octagon	
WEIGHT PER UNION (pounds)										
	.32	.30	.40	.72	1.10	1.5	2.2	2.6	4.6	

B[®] LUG NUT UNIONS

BONNEY FORGE

CLASS 3000

CLASS 6000



Lug Nut Unions from Bonney Forge are unions with modified Stub-Acme threads ideal for applications requiring rapid assembly and/or breakdown.

- Threaded and socket weld ends.
- Seating characteristics of AAR unions.
- Twin lugs in sizes up to 3/4" Class 3000 and 1/2" Class 6000.
- Tri-lug design in sizes from 1" - 4" Class 3000 and 3/4" - 2" Class 6000.
- Plated Lug Nut.

DIMENSIONS (inches)		A	A
NOMINAL PIPE SIZE			
3/8	CLASS 3000	1.950	CLASS 6000
1/2		2.065	
3/4		2.375	
1		2.580	
1 1/4		2.950	
1 1/2		3.115	
2		3.575	
2 1/2		4.200	
3		4.475	
4		8.50	