

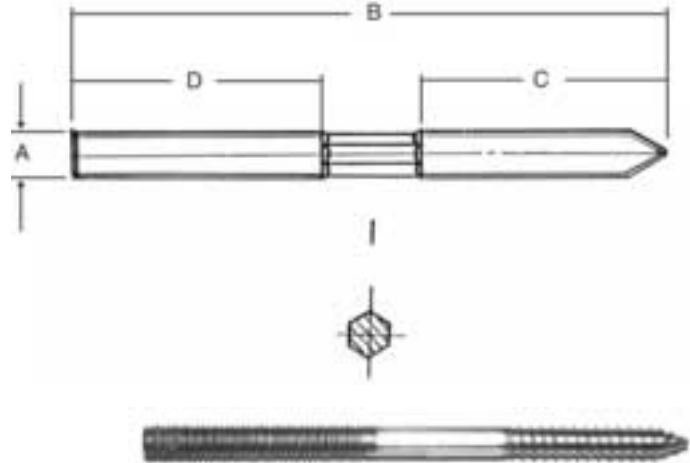
FIRE PROTECTION & WATERWORKS HANGERS

A 425 Coach Screw Rod

Material : Carbon Steel Wire

Application : Coach screw rods are used to support a hanger from a wooden joist. Coach screw rods have a lag thread on one end and a machine thread on the other end.

Ordering : Specify figure number and rod size required.



A 425 COACH SCREW RODS

SIZE		"A"		"B"		"C"		"D"		Box Qty
	mm		mm		mm		mm		mm	
3/8x4	10x102	3/8	10	4	102	1-7/8	48	1-1/2	38	100
3/8x6	10x152	3/8	10	6	152	1-7/8	48	2-1/2	64	100
3/8x8	10x203	3/8	10	8	203	1-7/8	48	2-1/2	64	100
3/8x10	10x254	3/8	10	10	254	1-7/8	48	2-1/2	64	100
3/8x12	10x305	3/8	10	12	305	1-7/8	48	2-1/2	64	100
1/2x6	13x152	1/2	13	6	152	1-7/8	48	2-1/2	64	100
1/2x8	13x203	1/2	13	8	203	1-7/8	48	2-1/2	64	100

