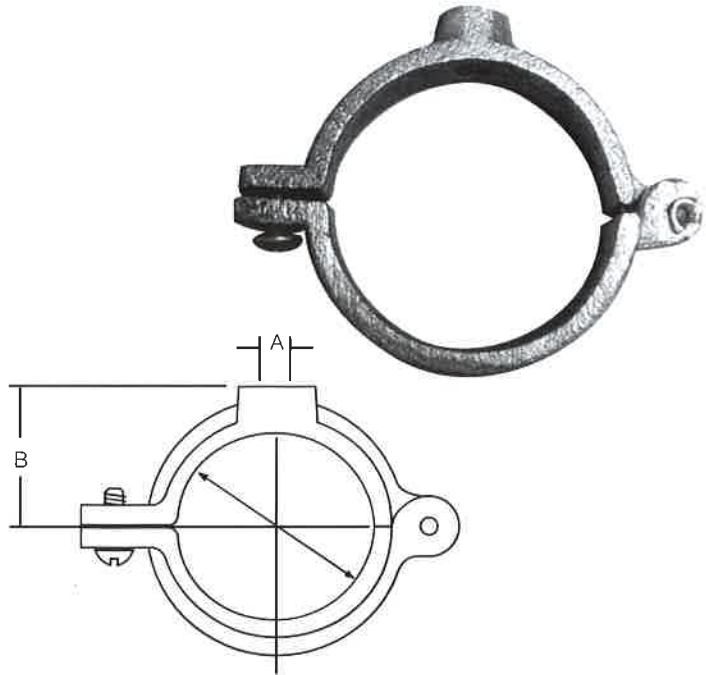


STANDARD & COMMERCIAL PIPE HANGERS

A 131C Copper Plated Split Ring Hanger - Hinged

- Material : Copper Plated Malleable Iron.
- Application: Designed for suspending non-insulated pipe horizontally.
- Ordering: Specify pipe size, and figure number.
- Approvals: Complies with Manufacturers Standardization Society SP – 69 Type 12.



A131C COPPER PLATED SPLIT RING HANGER

SIZE		"A"		"B"		Max Rec Load	Box Qty
in	mm	in	mm	in	mm		
1/2	13	3/8	10	11/16	18	180	100
3/4	19	3/8	10	7/8	22	180	50
1	25	3/8	10	1-1/16	27	180	50
1-1/4	32	3/8	10	1-3/16	30	180	50
1-1/2	38	3/8	10	1-3/8	34	180	50
2	50	3/8	10	1-5/8	41	180	50
2-1/2	64	1/2	13	2	50	300	25
3	76	1/2	13	2-3/8	60	300	25
4	102	1/2	13	2-13/16	71	300	20

