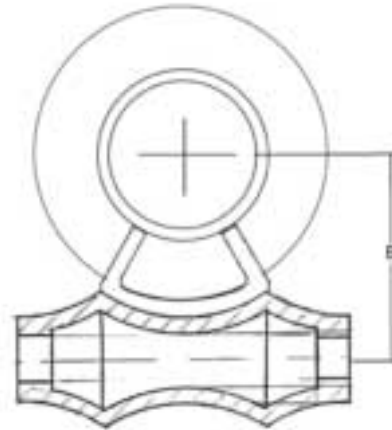


INDUSTRIAL HANGERS & CLAMPS

A 88/90 Pipe Protection Saddle 2" & 2-1/2"

- Material:** A-36 Carbon Steel.
- Application:** Designed to protect pipe insulation on high temperature pipe lines.
- Ordering:** Specify figure number, pipe size, and insulation thickness.
- Approvals:** Complies with manufacturers' Standardization Society SP-69 Type 39 A.



A 88 PIPE PROTECTION SADDLE FOR 2" INSULATION

Size	Roller Size		B		
	mm	mm		mm	
3/4	19	5	127	3-5/16	84
1	25	6	152	3-1/2	89
1-1/4	32	6	152	3-5/8	92
1-1/2	38	6	152	4	102
2	50	6	152	4-1/4	108
2-1/2	64	6	152	4-1/2	114
3	76	8	203	4-13/16	122
3-1/2	89	8	203	5-1/8	130
4	102	8	203	5-3/8	137
5	127	10	254	6	152
6	152	10	254	6-7/8	175
8	203	12	305	7-9/16	192
10	254	16	406	9-1/16	230
12	305	16	406	10-3/16	259
14	356	18	457	10-7/8	276
16	406	20	508	11-3/16	284
18	457	24	610	12-7/8	327
20	508	24	610	14-1/16	359

A 90 PIPE PROTECTION SADDLE FOR 2-1/2" INSULATION

Size	Roller Size		B		
	mm	mm		mm	
2	50	8	203	4-3/4	121
2-1/2	64	8	203	5-3/8	137
3	76	8	203	5-3/8	137
3-1/2	89	8	203	5-3/8	137
4	102	10	254	6	152
5	127	12	305	6-5/8	168
6	152	12	305	7	178
8	203	14	356	8-1/4	210
10	254	16	406	9-5/8	244
12	305	18	457	10-1/2	267
14	356	20	508	11-3/8	289
16	406	24	610	12-1/4	311
18	457	24	610	13-1/2	343
20	508	24	610	14-5/8	371

