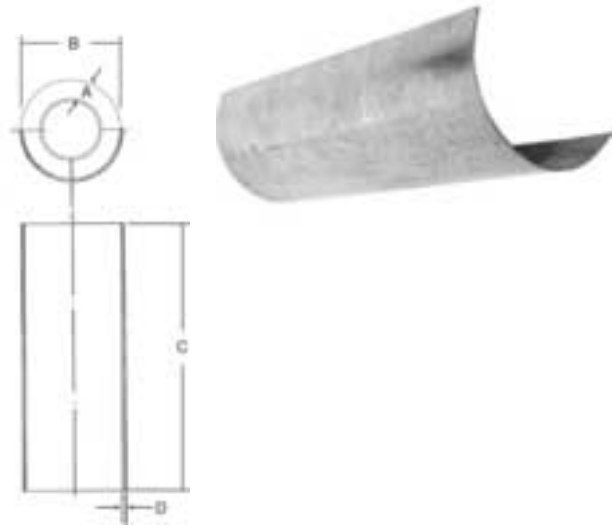


## INDUSTRIAL HANGERS & CLAMPS

### A 203 Insulation Protection Shield

- Material:** Pregalvanized Carbon Steel.
- Application:** Designed to protect pipe insulation when used with hangers.
- Ordering:** Specify figure number, pipe size, and insulation thickness. When ordering look at the selection table below, find the pipe size required and the insulation thickness you have to determine the shield number you will require.
- Approvals:** Complies with Manufacturers' Standardization Society SP-69 Type 40.



### A 203 INSULATION PROTECTION SHIELD – Selection Table

Pipe Size		A-Insulation Thickness				
	mm	1/2	3/4	1	1 1/2	2
1/2	13	0	1	1		
3/4	19	1	1	2	4	6
1	25	1	2	3	5	7
1-1/4	32	2	3	3	6	7
1-1/2	38	2	3	4	6	7
2	50	3	4	5	7	8
2-1/2	64	4	5	6	7	8
3	76	5	6	7	8	9
3-1/2	89	–	–	8	9	10
4	102	–	–	8	9	10
5	127	–	–	11	12	13
6	152	–	–	12	13	14
8	203	–	–	14	15	16
10	254	–	–	16	17	18
12	305	–	–	18	19	20
14	356	–	–	19	20	21

Size of Shield	B		C		D	
		mm		mm		mm
0	1-7/8	48	12	305	3/64	1.2
1	2-3/8	60	12	305	3/64	1.2
2	2-7/8	73	12	305	3/64	1.2
3	3-1/2	89	12	305	3/64	1.2
4	4	102	12	305	3/64	1.2
5	4-1/2	114	12	305	3/64	1.2
6	5	127	12	305	3/64	1.2
7	5-9/16	142	12	305	3/64	1.2
8	6-5/8	168	12	305	1/16	1.5
9	7-5/8	194	12	305	1/16	1.5
10	8-5/8	220	12	305	1/16	1.5
13	9-19/32	244	18	457	1/16	1.5
14	10-30/32	278	18	457	1/16	1.5
15	11-3/4	298	24	610	5/64	2.0
16	12-3/4	324	24	610	5/64	2.0
17	14	356	24	610	5/64	2.0
18	15	382	24	610	5/64	2.0
19	16	406	24	610	5/64	2.0
20	17	432	24	610	5/64	2.0
21	18	458	24	610	3/32	2.5

